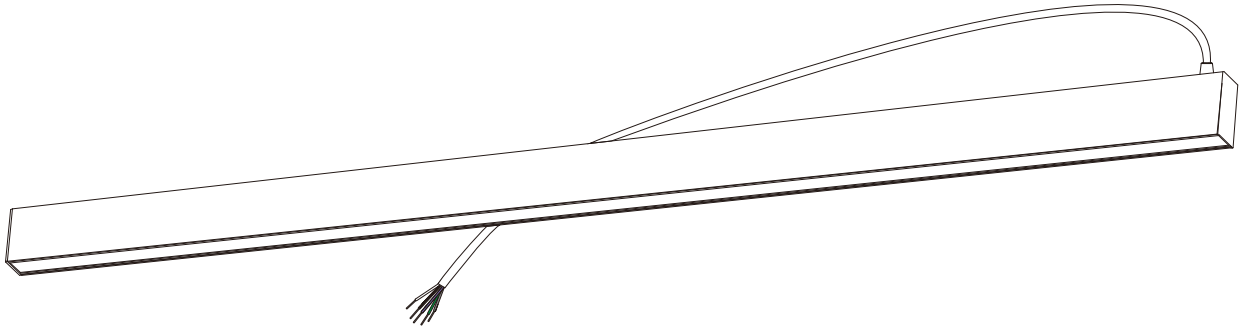




# Architectural 1.3" LED Luminaire

## Installation Instructions Internal Driver Version



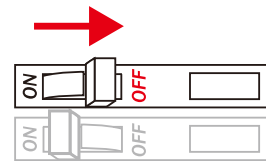
### ! IMPORTANT

1. Read all instructions.
2. Install in accordance with national and local electrical code regulations.
3. This product is intended to be installed and serviced by a qualified, licensed electrician.
4. Do not install in wet locations. For dry and damp use only.
5. Turn off electrical power before installing or servicing fixture in any way.
6. To reduce the risk of fire and overheating, make sure all connections are tight.
7. Under no circumstances can the lighting fixture be covered with heat insulation gasket or similar materials.
8. The maximum connection of each input line is less than 40FT(1200CM) in 120AC, less than 80FT (2400CM) in 230AC, less than 100FT(3000CM) in 277AC.

### ! SHOCK HAZARD!



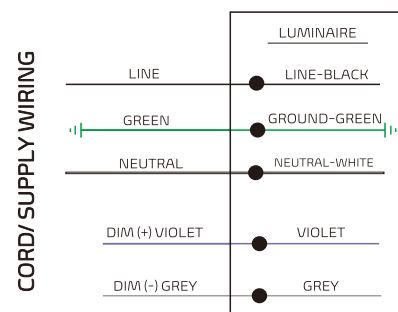
May result in serious injury or death.  
Turn power OFF at circuit breaker prior to installation or servicing.



### 🔧 TOOLS REQUIRED

- Tools:
1. Sharp Side Cutter
  2. Electric Drill
  3. Level
  4. Measuring Tool
  5. Wire Stripper / Knife
  6. Philips Screwdrivers
  7. Wire Cutters

### 🔌 Wiring





# Table of Contents

## Pendant

### Accessory Guide

Dry Ceiling .....	03
Drop Ceiling (T-Grid Clips) .....	04
Drop Ceiling (T-Grid Hangers) .....	05

### Installation Guide

Independent Installation .....	06
Multiple Luminaires Connection .....	07
A. Line connection .....	08
B. L shape, + shape, Y shape and T shape connection .....	10

## Surface

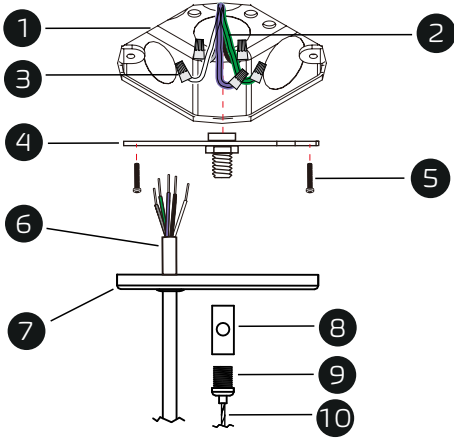
Independent Installation .....	11
Multiple Luminaires Connection .....	12
A. Line connection .....	12
B. L shape, + shape, Y shape and T shape connection .....	14

## Wall Mount

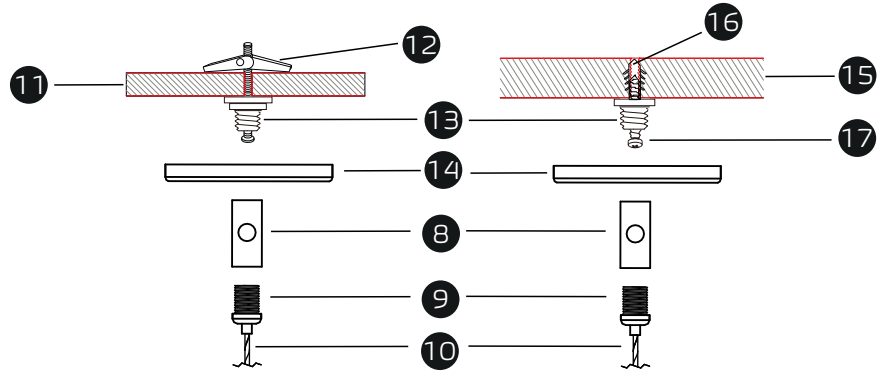
Independent Installation .....	15
Multiple Luminaires Connection ( — Pattern) .....	16



#### ▶ POWER FEED

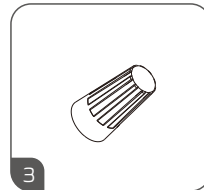


#### ▶ NON POWER SUSPENSION

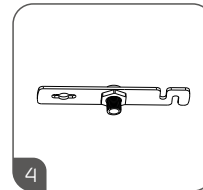


#### ▶ PARTS LIST

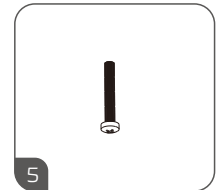
- 1 4" Octagon Junction Box (By Others)
- 2 Power Cord (By Others)
- 3 Wire Nut
- 4 Junction Box Crossbar
- 5 Screw PM4\*22
- 6 Power Cord
- 7 4" Power Canopy Kit
- 8 Cable Holder
- 9 Strain Relief Thread Nut
- 10 Aircraft Cable
- 11 Drywall Ceiling (By Others)
- 12 Butterfly Drywall Anchor
- 13 Crimp Stud
- 14 2" Canopy
- 15 Solid Ceiling (By Others)
- 16 Anchor
- 17 Screw PA4\*30



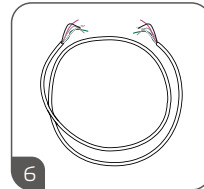
Wire Nut



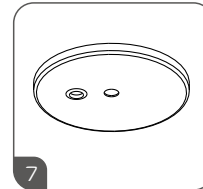
Junction Box Crossbar



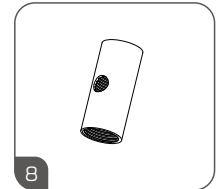
Screw PM4\*22



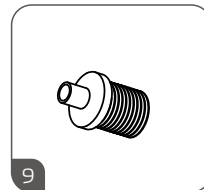
Power Cord



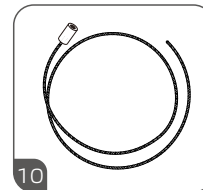
4" Canopy Power Feed



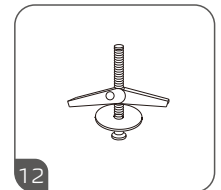
Cable Holder



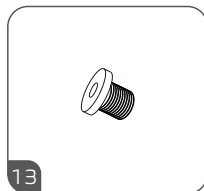
Strain Relief Thread Nut



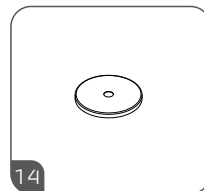
Aircraft Cable



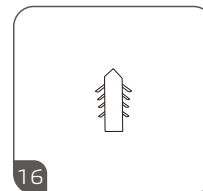
Butterfly Drywall Anchor



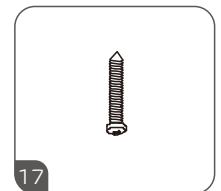
Crimp Stud



2" Canopy




Anchor



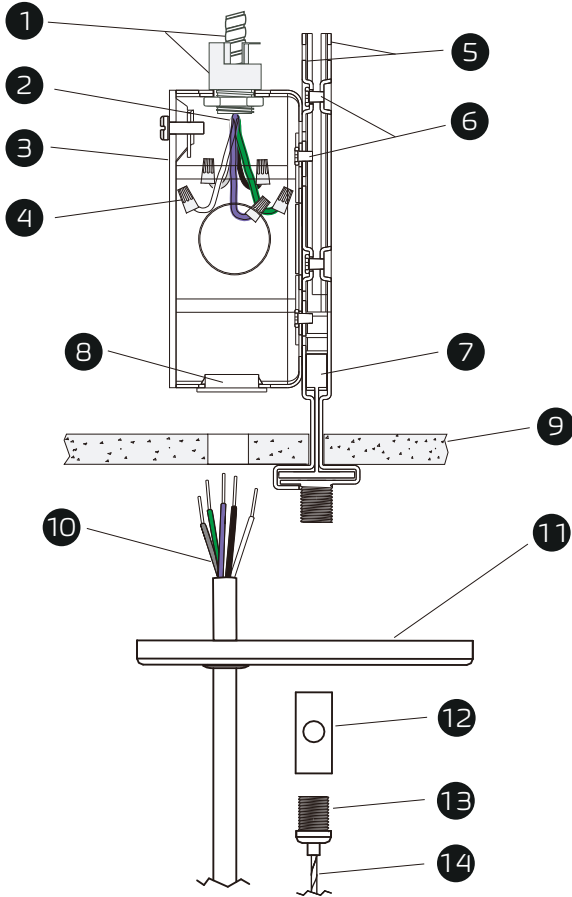
Screw PA4\*30

**WARNING:**

 RISK OF FIRE AND ELECTRICAL SHOCK. FIXTURE MUST BE INSTALLED BY A QUALIFIED ELECTRICIAN ONLY IN ACCORDANCE WITH NATIONAL, LOCAL BUILDING AND ELECTRICAL CODES. DISCONNECT POWER AT ELECTRICAL PANEL BEFORE SERVICING.



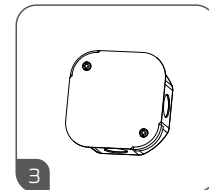
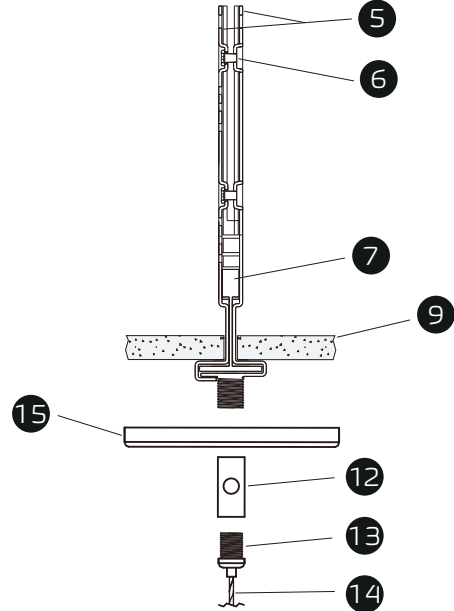
#### ▶ POWER FEED



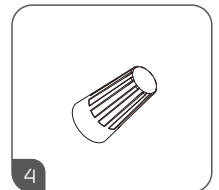
#### ▶ PARTS LIST

- 1 Armored Cable & Connector (By Others)
- 2 Power Cord (By Others)
- 3 4" Octogon Junction Box
- 4 Wire Nut
- 5 Assembled T-grid Clips
- 6 Screw 6#\*4
- 7 T-grid (By Others)
- 8 Plastic Grommet
- 9 Ceiling Tile (By Others)
- 10 Power Cord
- 11 4" Canopy Power Feed
- 12 Cable Holder
- 13 Strain Relief Thread Nut
- 14 Aircraft Cable
- 15 2" Canopy

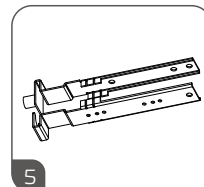
#### ▶ NON POWER SUSPENSION



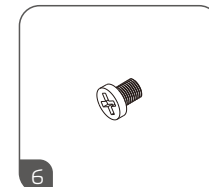
4" Octogon Junction Box



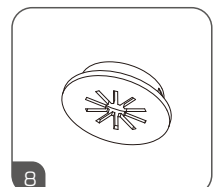
Wire Nut



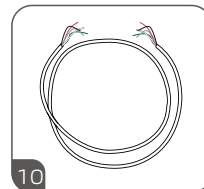
Assembled T-grid Clips



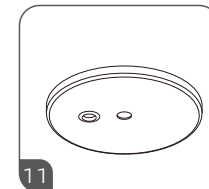
Screw 6#\*4



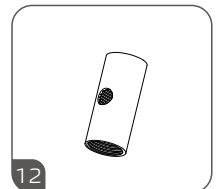
Plastic Grommet



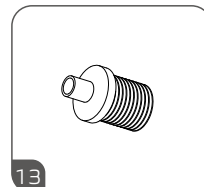
Power Cord



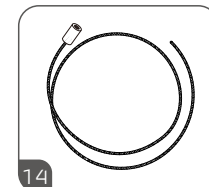
4" Canopy Power Feed



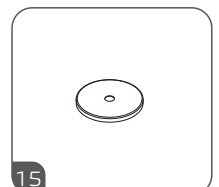
Cable Holder



Strain Relief Thread Nut



Aircraft Cable



2" Canopy

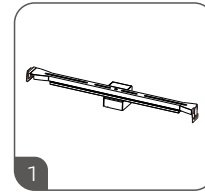
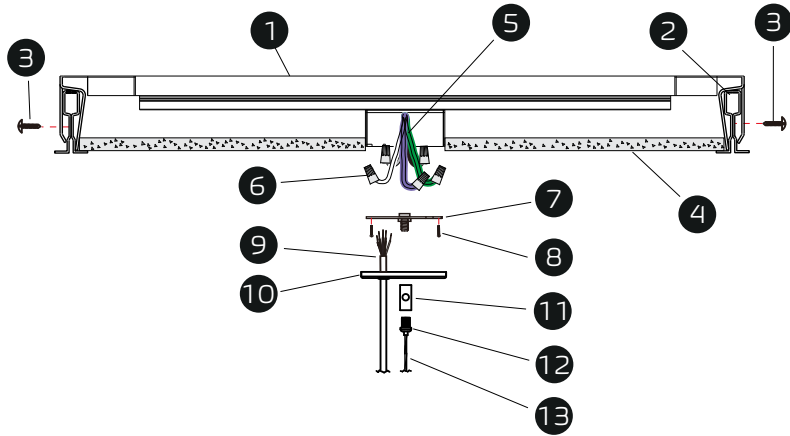
#### WARNING:



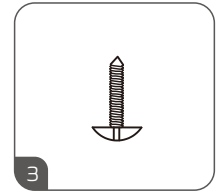
RISK OF FIRE AND ELECTRICAL SHOCK. FIXTURE MUST BE INSTALLED BY A QUALIFIED ELECTRICIAN ONLY IN ACCORDANCE WITH NATIONAL, LOCAL BUILDING AND ELECTRICAL CODES. DISCONNECT POWER AT ELECTRICAL PANEL BEFORE SERVICING.



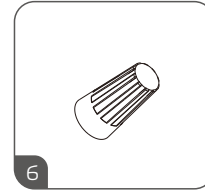
#### ▶ POWER FEED



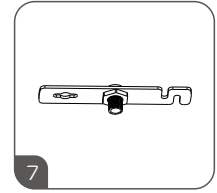
T-Grid Hanger Power Feed



Screw PWB4\*12

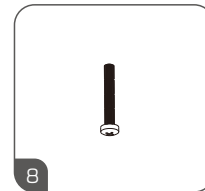
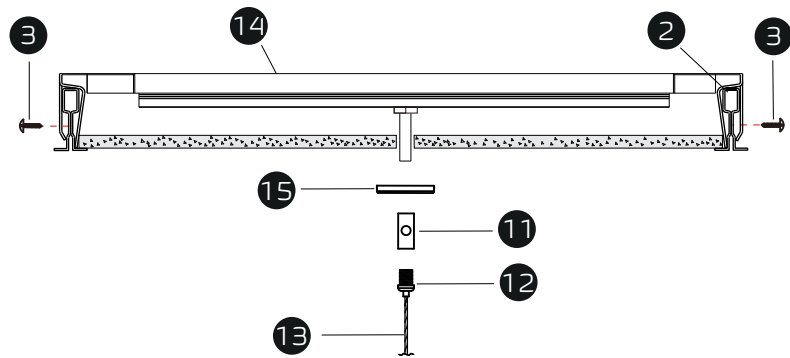


Wire Nut

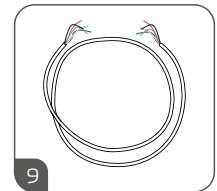


Junction Box Crossbar

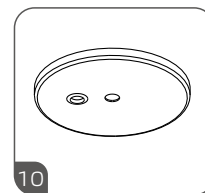
#### ▶ NON POWER SUSPENSION



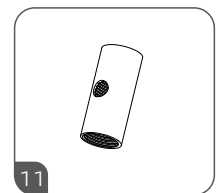
Screw Pm4\*22



Power Cord



4" Canopy Power Feed



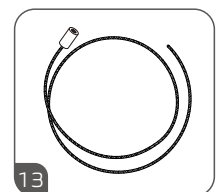
Cable Holder

#### ▶ PARTS LIST

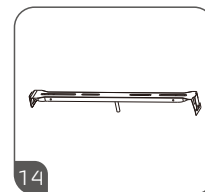
- 1 T-Grid Hanger Power Feed
- 2 T-grid (By Others)
- 3 Screw PWB4\*12
- 4 Ceiling Tile (By Others)
- 5 Power Cord (By Others)
- 6 Wire Nut
- 7 Junction Box Crossbar
- 8 Screw PM4\*22
- 9 Power Cord
- 10 4" Canopy Power Feed
- 11 Cable Holder
- 12 Strain Relief Thread Nut
- 13 Aircraft Cable
- 14 T-Grid Hanger
- 15 2" Canopy



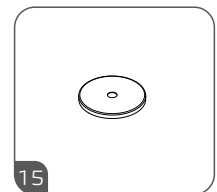
Strain Relief Thread Nut



Aircraft Cable



T-Grid Hanger



2" Canopy



#### WARNING:

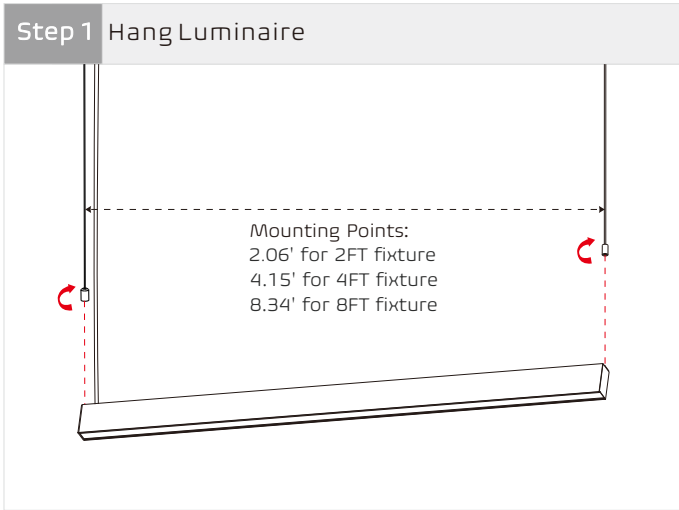
RISK OF FIRE AND ELECTRICAL SHOCK. FIXTURE MUST BE INSTALLED BY A QUALIFIED ELECTRICIAN ONLY IN ACCORDANCE WITH NATIONAL, LOCAL BUILDING AND ELECTRICAL CODES. DISCONNECT POWER AT ELECTRICAL PANEL BEFORE SERVICING.



# Architectural 1.3" LED Luminaire

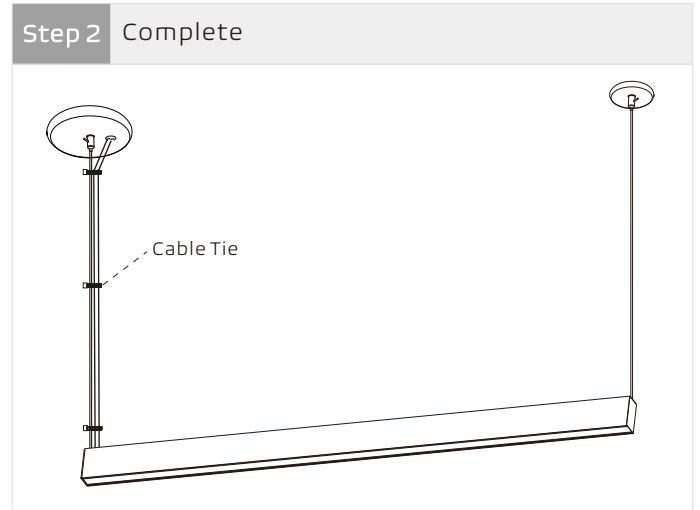
## Pendant

### Independent Installation




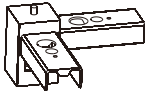
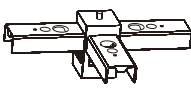

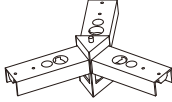

Screw both bottom parts of aircraft cables clockwise and secure them on the top of housing making sure they hang the lights.

▲ Adjust the height of luminaire. Luminaire can be raised by pulling cable through the gripper and can be lowered by depressing the top cylinder on the gripper which pulls the luminaire down.



Use the cable tie to keep the electric wire going up along with the wire rope.



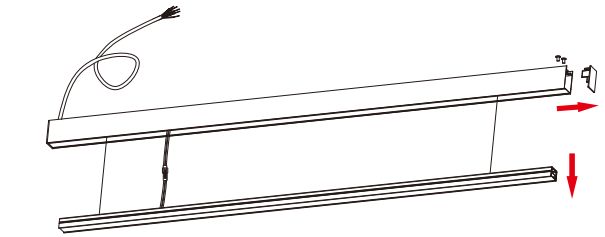
Joiner Options					Accessory
"—" Joiner	"L" Joiner	"T" Joiner	"+" Joiner	"Y" Joiner	Silicone Seal
					

⚠ Noted: Silicone Seal is used to seal seams that may appear at both ends of luminaires when multiple connections.

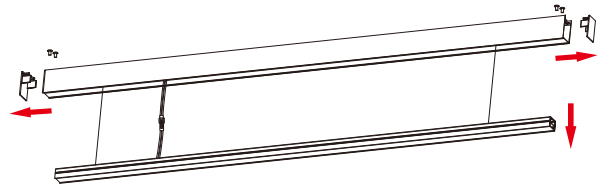
⚠ It needs 2 inputs if using joiner "T", "+" and "Y".

**Pre-installation**      Disassemble luminaires as shown below

**Start of run (SoR):** Remove the end cap without power code, and take the LED module out.



**Middle of run (MoR):** Remove both end caps, and take the LED module out.



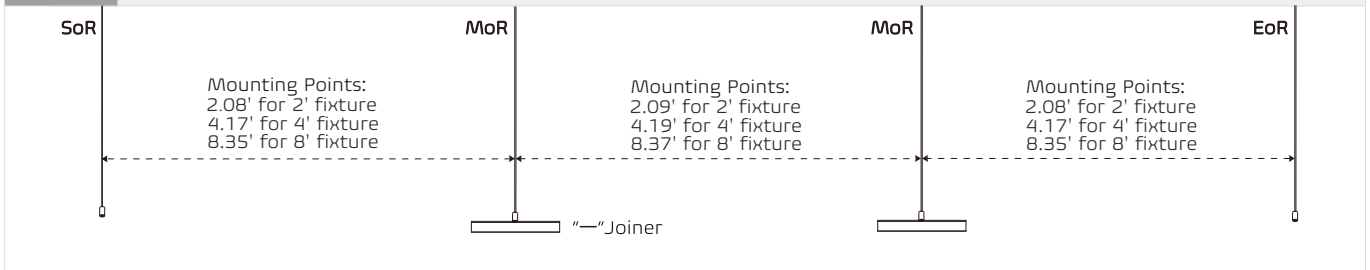
**End of run (EoR):** Remove the end cap with power code, and take the LED module out.





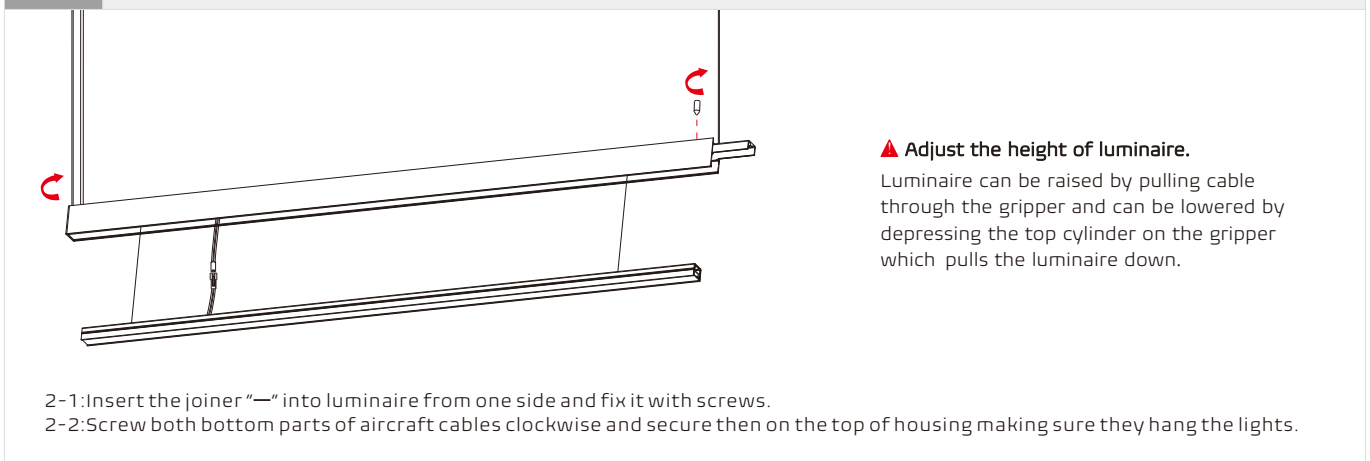
### A. Line Connection

#### Step 1 Install joiners

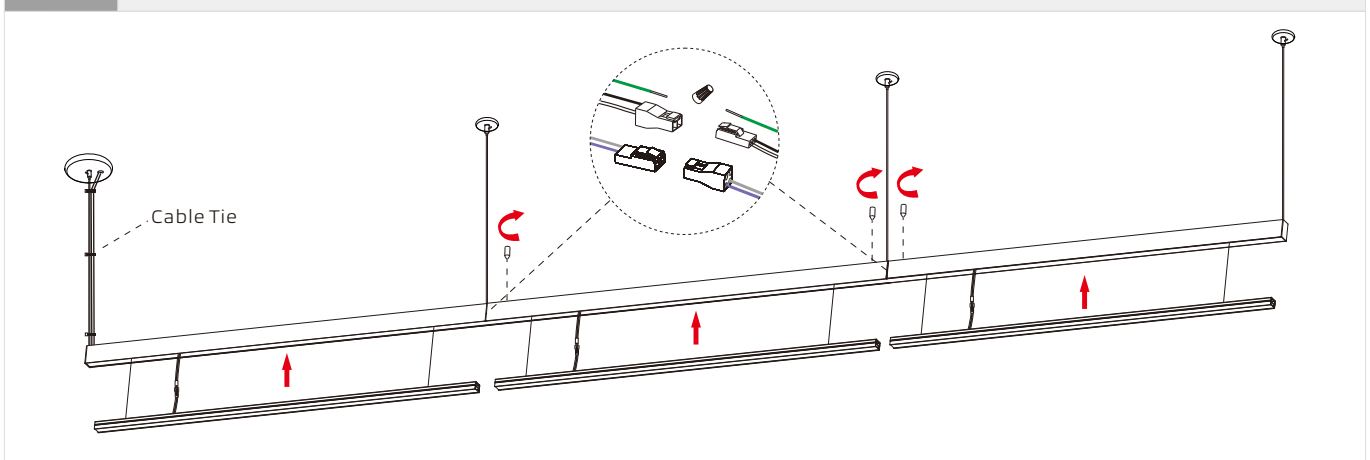


Screw the joiner "—" to the MoR aircraft cable in turn.

#### Step 2 Hang luminaire and wiring - SoR

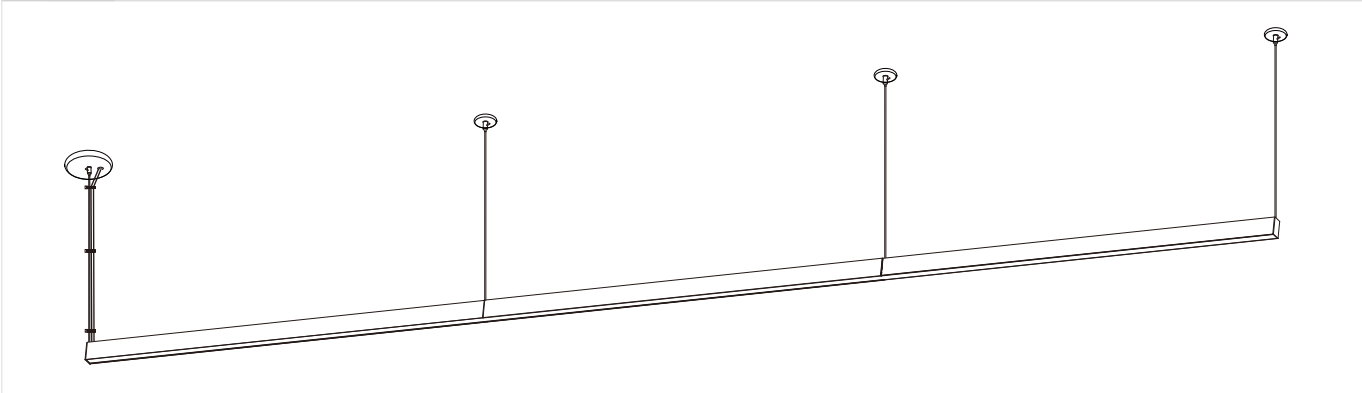


#### Step 3 Repeat Hang and join steps – MoR to EoR

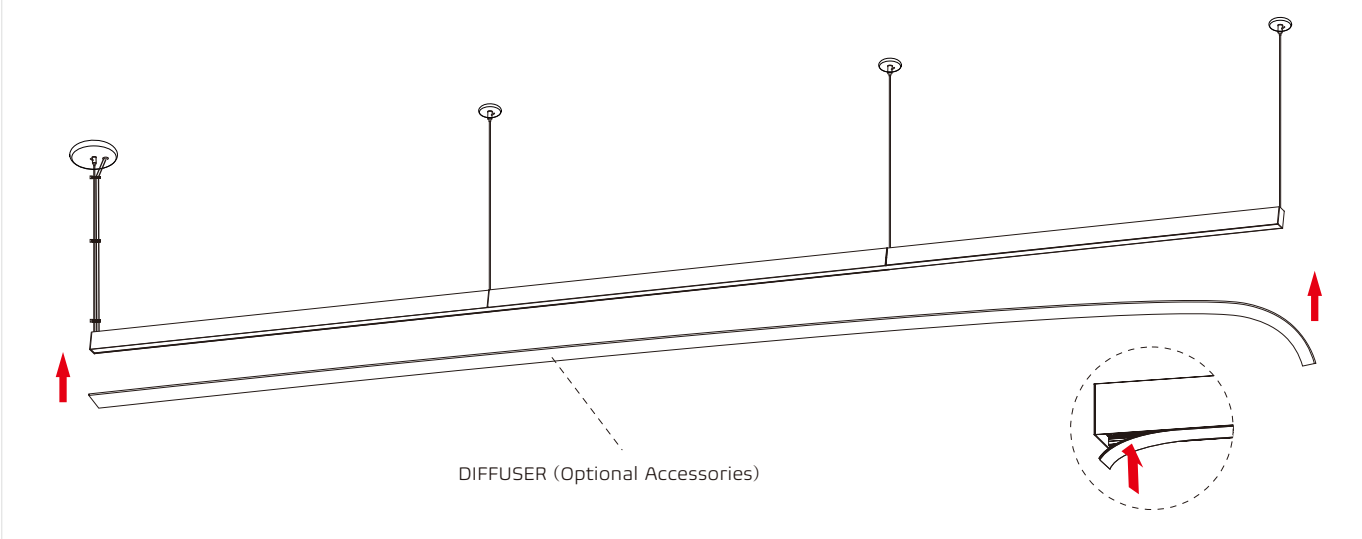




Step 4 Complete



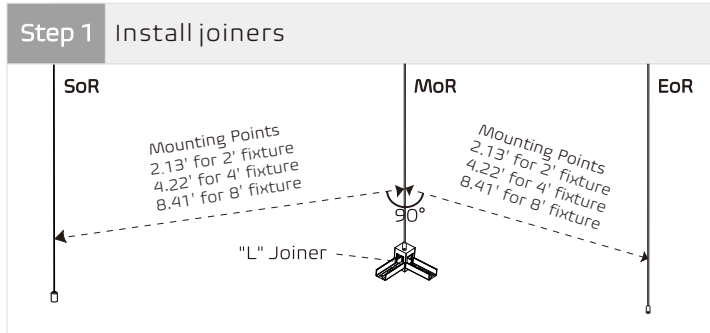
42' Diffuser Lens Roll



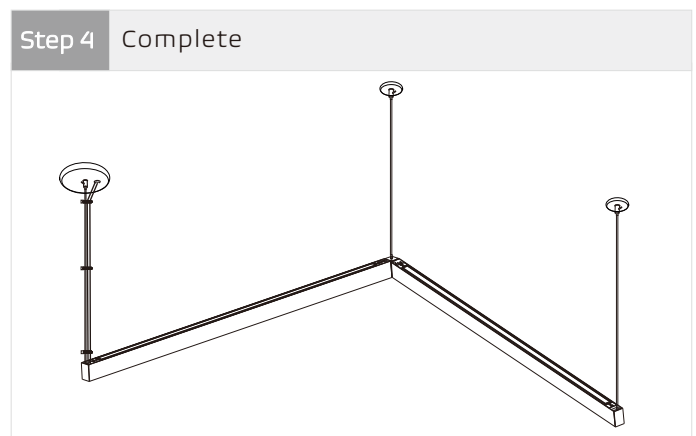
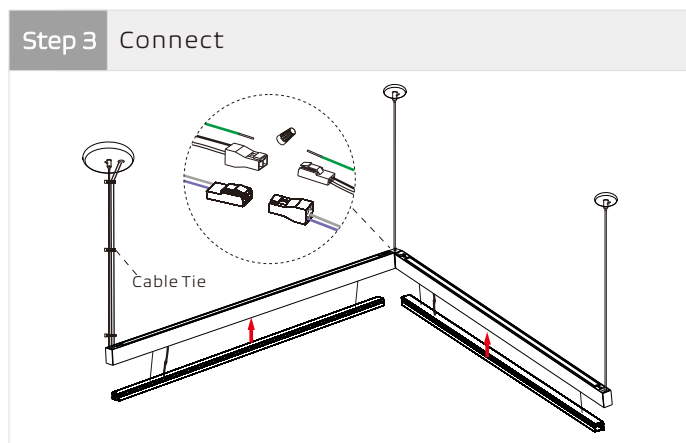
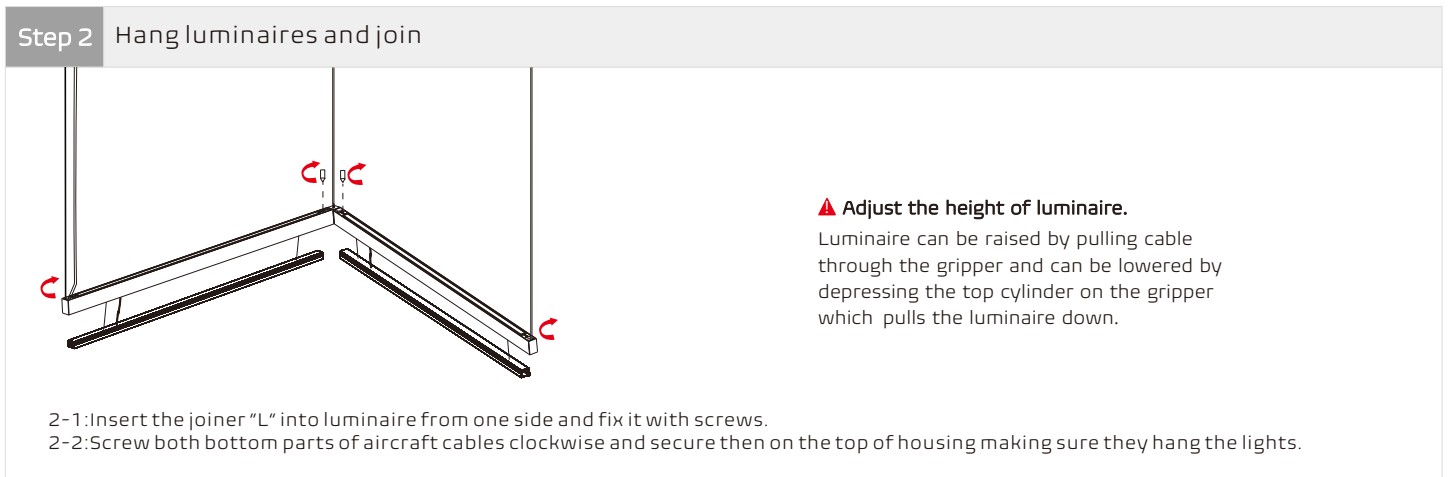


### B. L Shape Connection

- ▲ For "T", "+", "Y" shape or other geometric shapes, all subject to the "L" shape installation
- ▲ It needs 2 inputs if using joiner "T", "+" and "Y".

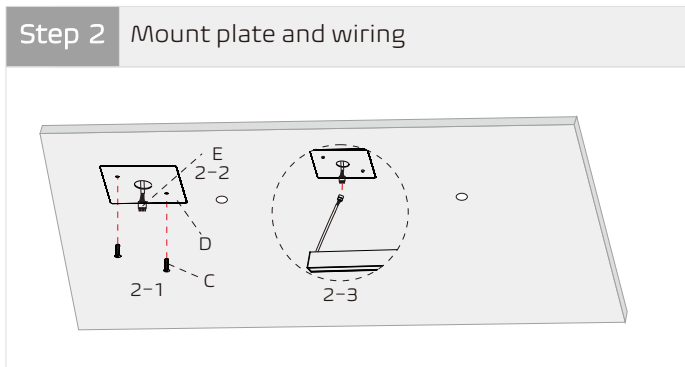
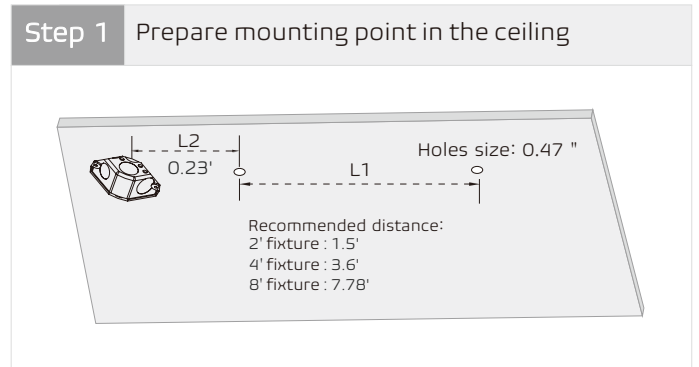
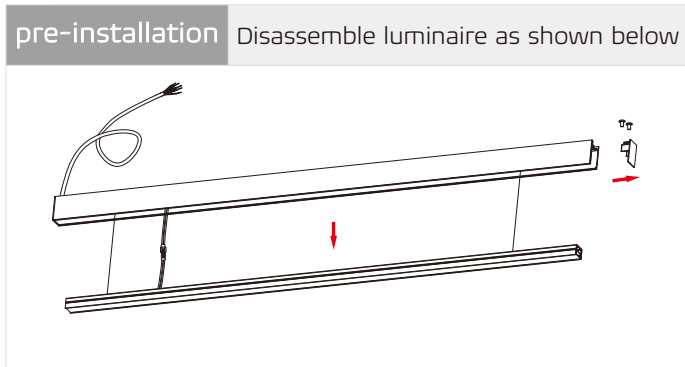


Screw the joiner "L" to the MoR aircraft cable in turn.

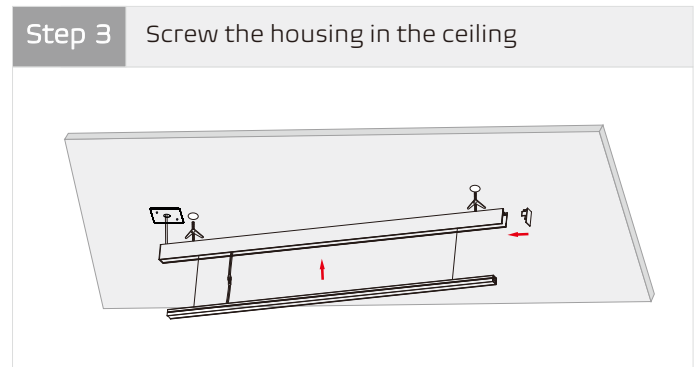




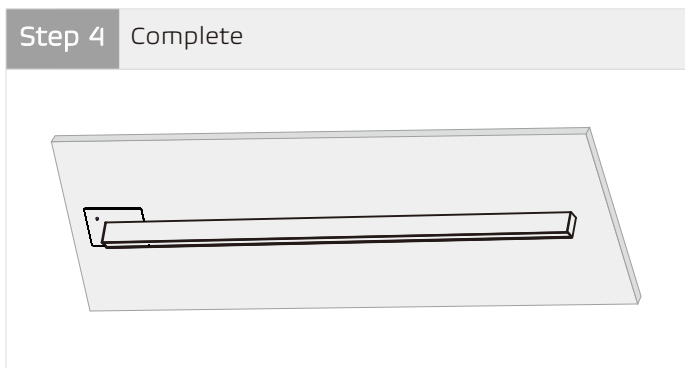
Accessory					
Code	A	B	C	D	E
Picture					
Name	Butterfly Drywall Anchor	Wire Nut	Screw	Square Plate	Male Quick Connector (5 Holes)



- 2-1: Cover the junction box with square plate "D" and fix it with screw "C".
- 2-2: Plug in AC wires, dimming wires and ground wire into the male quick connector (5holes) "E" according to label instructions.
- 2-3: Plug in the male and female connector together, hide all wires into the junction box.



- 3-1: Fix the housing in the ceiling with butterfly drywall anchor "A" (Fix the housing with screws if wooden frame ceiling).
- 3-2: Press the LED modular into housing.
- 3-3: Using glass cement on the end cap, then insert it into the housing.





# Architectural 1.3" LED Luminaire

## Multiple Luminaires Connection

Accessory						
Name	Butterfly Drywall Anchor	Wire Nut	Screw	Square plate	Male quick connector (5 holes)	Silicone Seal
Picture						
	A	B	C	D	E	F

Joiner Options				
"—" Joiner	"L" Joiner	"T" Joiner	"+" Joiner	"Y" Joiner

▲ Noted: Silica gel stopper "F" is used to seal seams that may appear at both ends of luminaires when multiple connections.

▲ It needs 2 inputs if using joiner "T", "+" and "Y".

### Pre-installation Disassemble luminaires as shown below

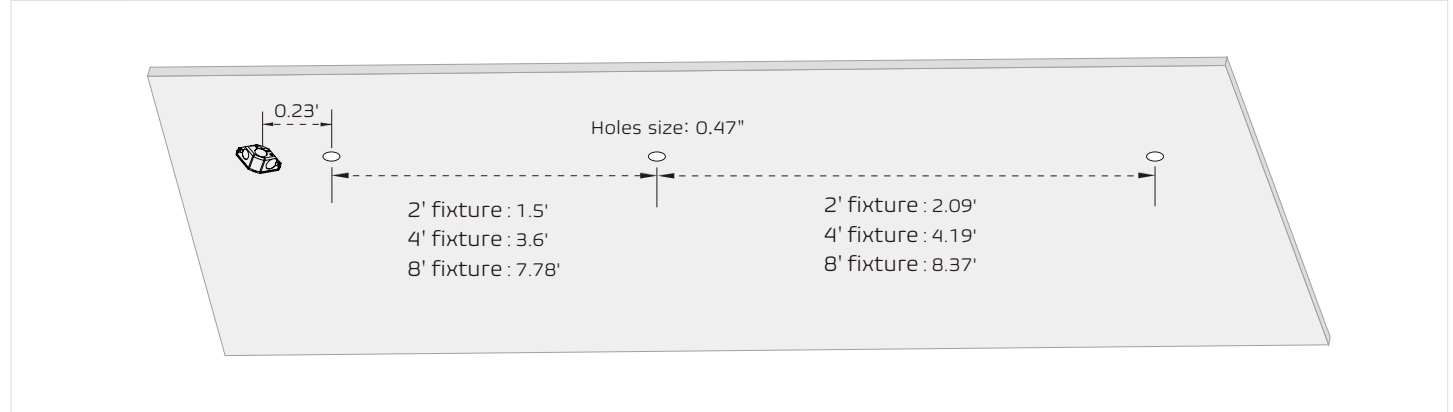
**Start of run (SoR):** Remove the end cap without power code, and take the LED module out.

**Middle of run (MoR):** Remove both end caps, and take the LED module out.

**End of run (EoR):** Remove the end cap with power code, and take the LED module out.

## A. Line Connection

### Step 1 Prepare mounting point in the ceiling

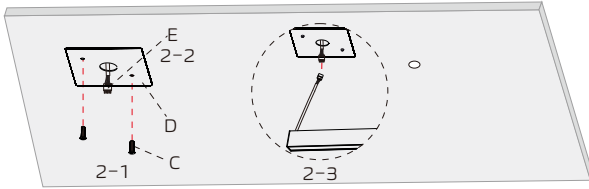




# Architectural 1.3" LED Luminaire

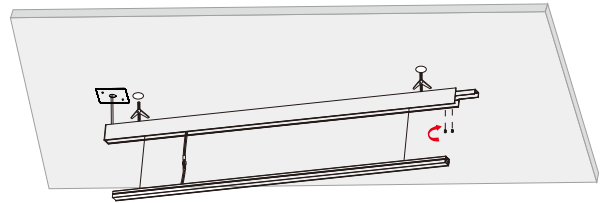
## Multiple Luminaires Connection

### Step 2 Mount plate and wiring



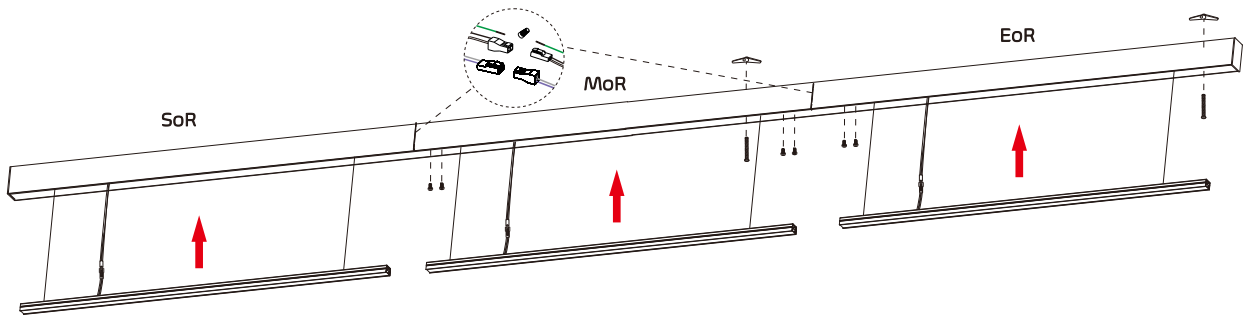
- 2-1: Cover the junction box with square plate "D" and fix it with screw "C".
- 2-2: Plug in AC wires, dimming wires and ground wire into the male quick connector (5holes) "E" according to label instructions.
- 2-3: Plug in the male and female connector together,hide all wires into the junction box.

### Step 3 Install the housing and joiner – SoR



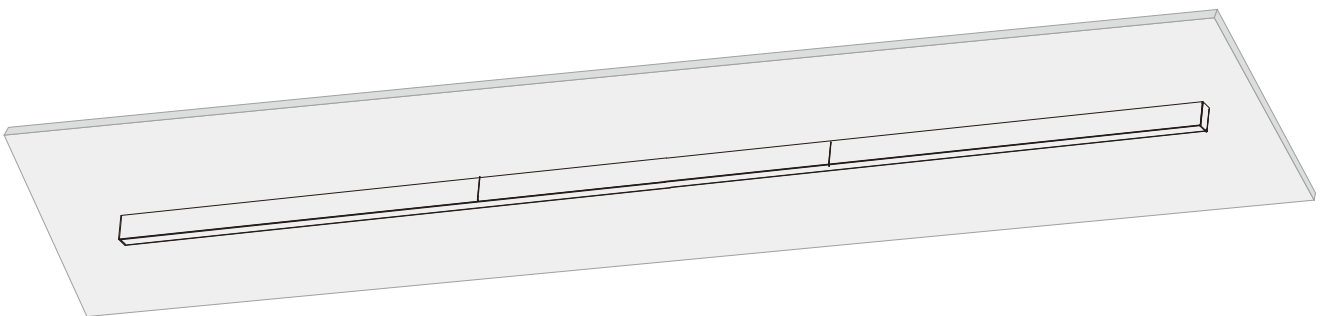
- 3-1: Fix the housing in the ceiling with butterfly drywall anchor "A" (Fix the housing with screws if wooden frame ceiling).
- 3-2: Insert the joiner "—" into the SoR housing and fix it by screws.

### Step 4 Repeat install and join steps - MoR to EoR

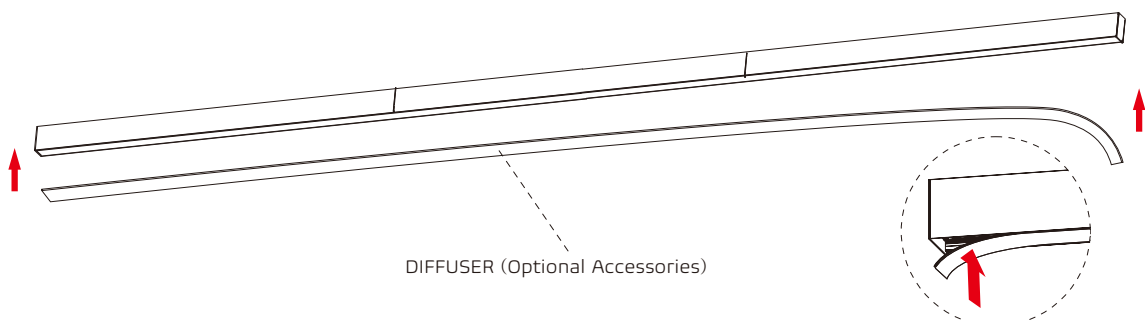


- 4-1: Fix the housing in the ceiling with butterfly drywall anchor "A" in turn.
- 4-2: Insert the joiner "—" into the housing and fix it by screws in turn.
- 4-3: Connect the quick connectors properly.
- 4-4: Insert all the led modules into the housing from SoR to EoR in turn.

### Step 5 Complete



### 42' Diffuser Lens Roll



DIFFUSER (Optional Accessories)

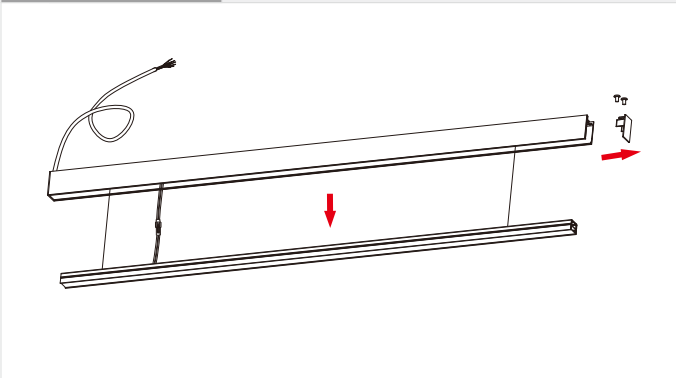


### B. L Shape Connection

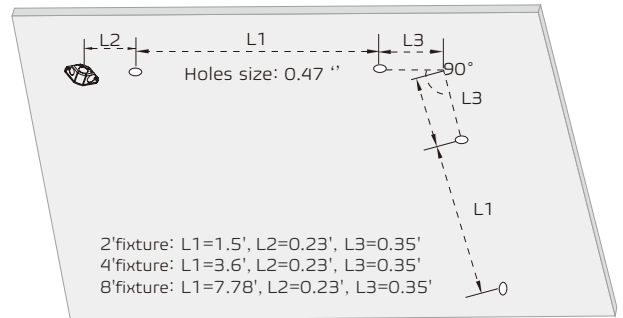
▲ For "T", "+", "Y" shape or other geometric shapes, all subject to the "L" shape installation

▲ It needs 2 inputs if using joiner "T", "+" and "Y".

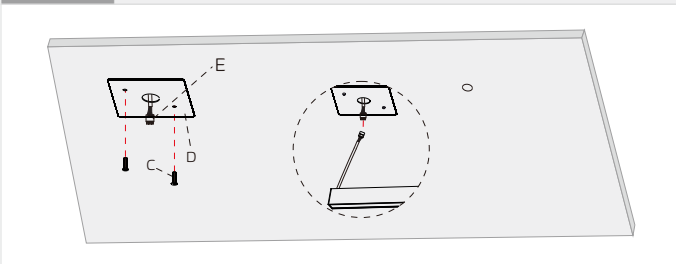
#### pre-installation Disassemble luminaire as shown below



#### Step 1 Make hole in the ceiling

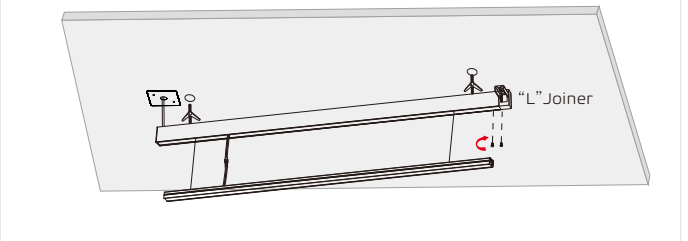


#### Step 2 Mount plate and wiring



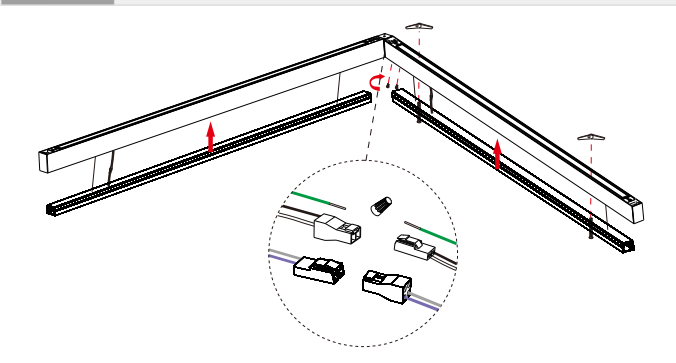
- 2-1: Cover the junction box with square plate "D" and fix it with screw "C".
- 2-2: Plug in AC wires, dimming wires and ground wire into the male quick connector (5holes) "E" according to label instructions.
- 2-3: Plug in the male and female connector together, hide all wires into the junction box.

#### Step 3 Install the housing and joiner – SoR



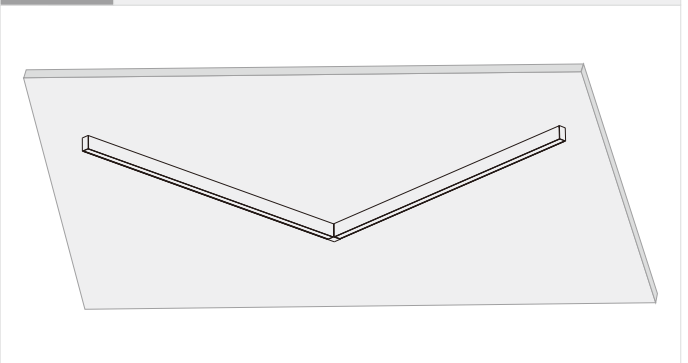
- 3-1: Fix the housing in the ceiling with butterfly drywall anchor "A" (Fix the housing with screws if wooden frame ceiling).
- 3-2: Insert the joiner "L" into the SoR housing and fix it by screws.

#### Step 4 Repeat install and join steps - MoR to EoR



- 4-1: Fix the housing in the ceiling with butterfly drywall anchor "A" in turn.
- 4-2: Insert the joiner "L" into the housing and fix it by screws in turn.
- 4-3: Connect the quick connectors properly.
- 4-4: Insert all the LED modules into the housing from SoR to EoR in turn.

#### Step 5 Complete

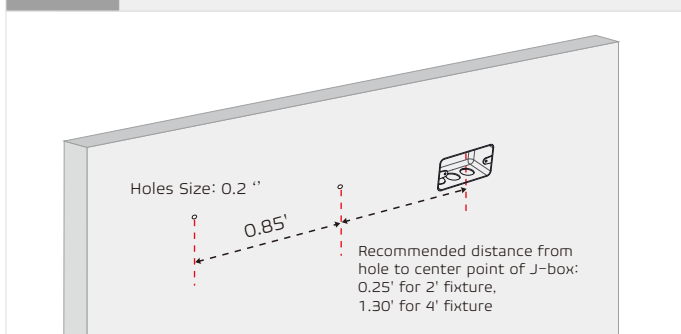




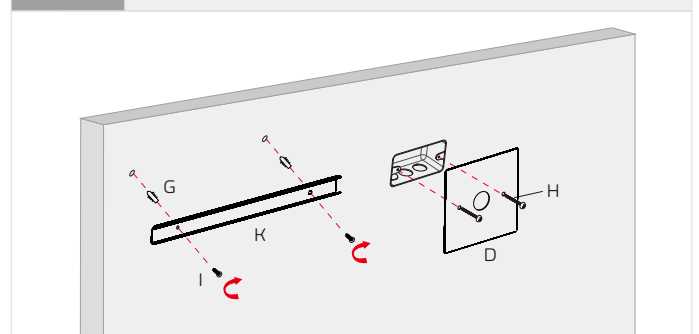
### Accessory

Code	B	D	E	G	H	I	J	K
Picture								
Name	Wire Nut	Square Plate	Male Quick Connector (5 Holes)	Anchor	Screw	Screw	Screw	Wall Mounting Bracket

#### Step 1 Install mounting point on wall



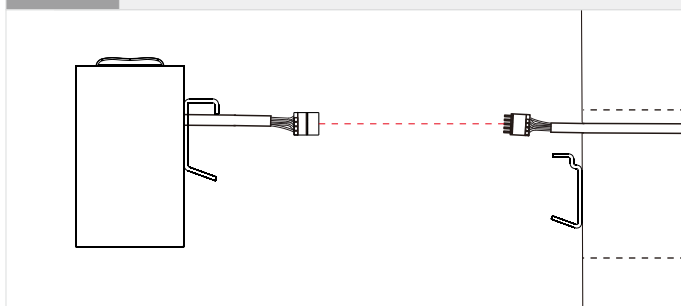
#### Step 2 Install plate and bracket



2-1: Insert Anchor "G" into hole and fix the Wall Mounting Bracket "K" with screw "I".

2-2: Mount the square cover plate "D" onto J-box with screw "H".

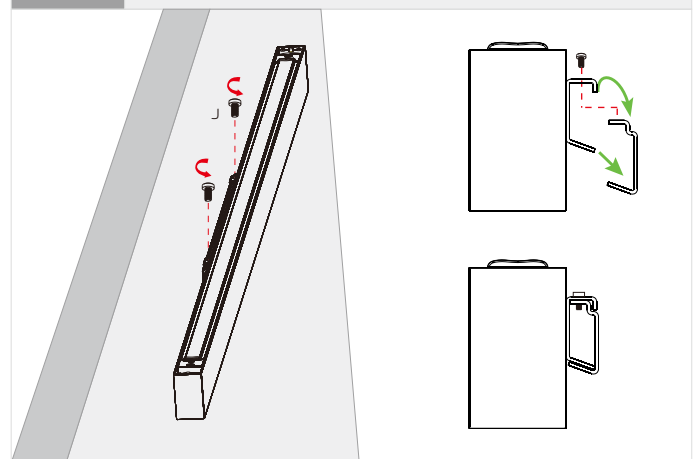
#### Step 3 Wiring



3-1: Plug in AC wires, dimming wires and ground wire into the male quick connector (5 holes) "E" according to label instructions.

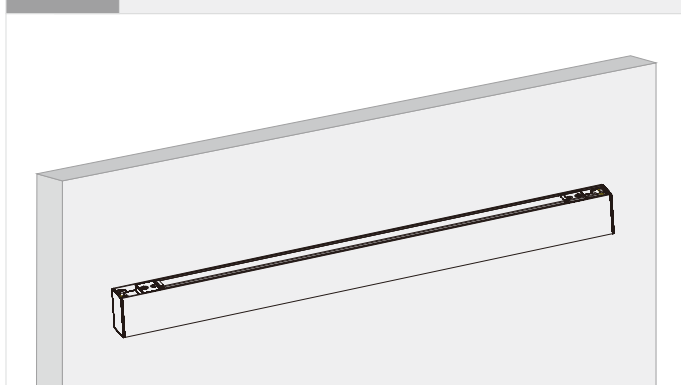
3-2: Plug in the male and female connector together, hide all wires into the junction box.

#### Step 4 Mounting



Match the hole position of the fixture and "wall mounting bracket", and mount the fixture onto wall with screw "J".

#### Step 5 Complete





#### Accessory

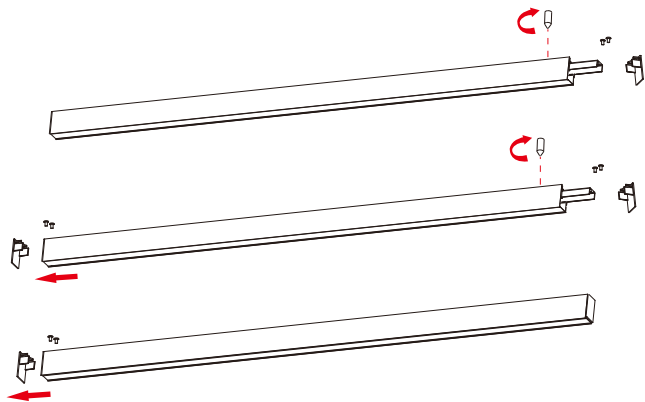
Code	B	D	E	G	H	I	J	K	L
Picture									
Name	Wire Nut	Square Plate	Male Quick Connector (5 Holes)	Anchor	Screw	Screw	Screw	Wall Mounting Bracket	"—" Joiner

#### Pre-installation Disassemble luminaires as shown below

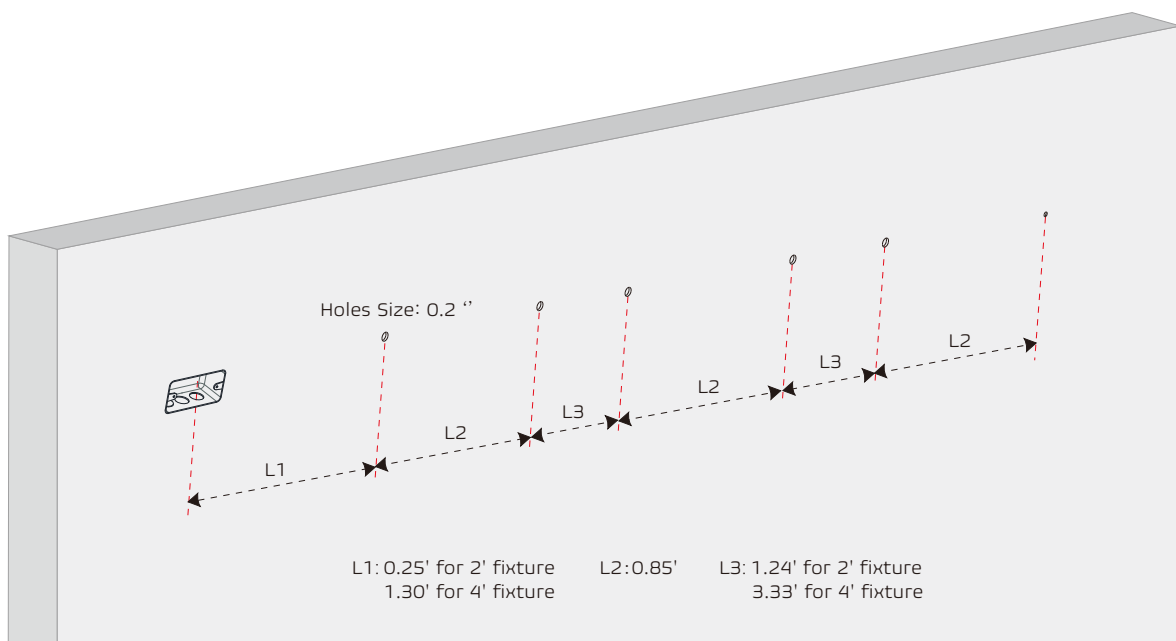
**Start of run (SoR):** Remove the end cap without power code, insert the joiner and fix it with screw.

**Middle of run (MoR):** Remove both end caps, insert the joiner and fix it with screw.

**End of run (EoR):** Remove the end cap with power code, insert the joiner and fix it with screw.

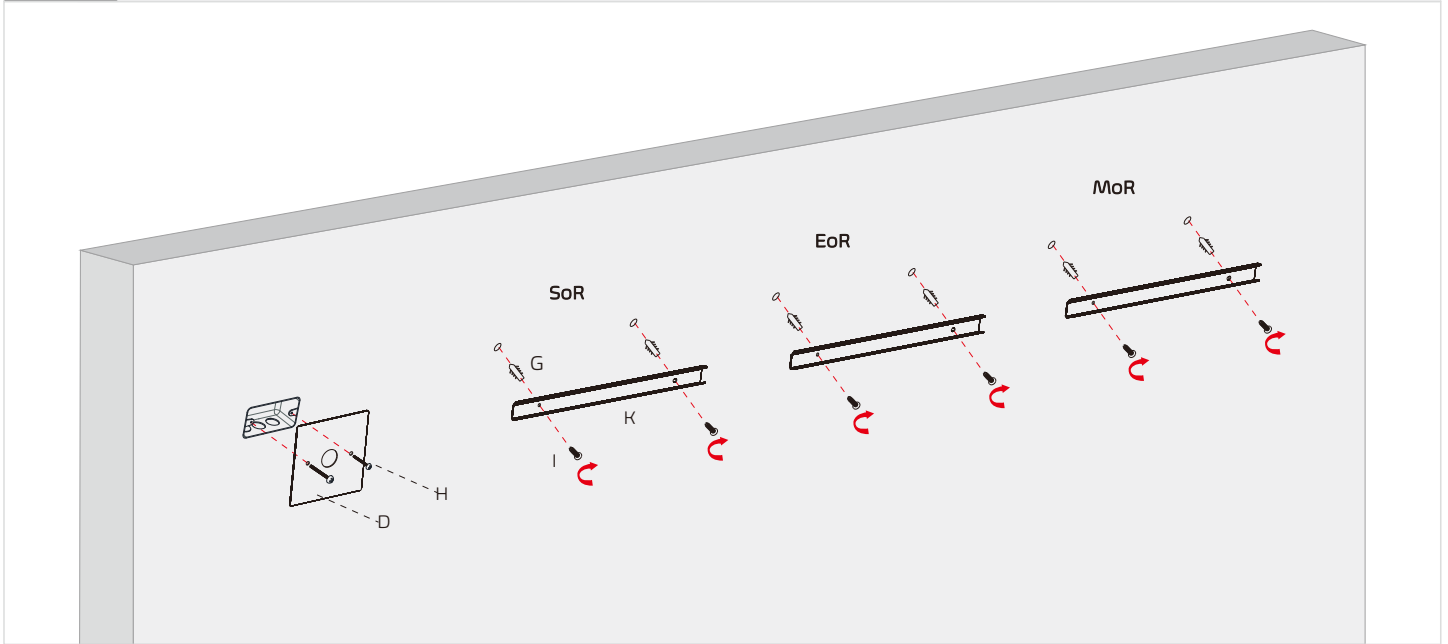


#### Step 1 Install mounting point on wall

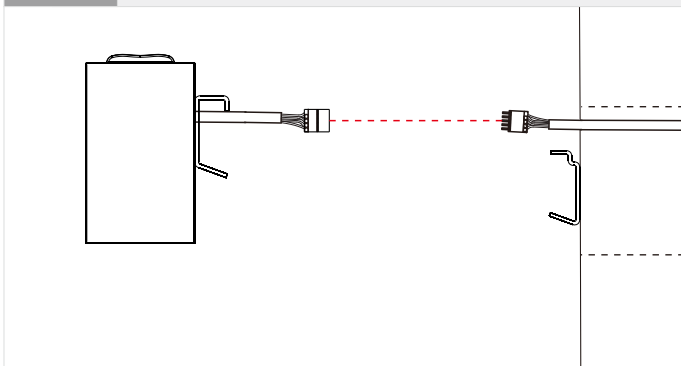




#### Step 2 Install plate and bracket from SoR to EoR

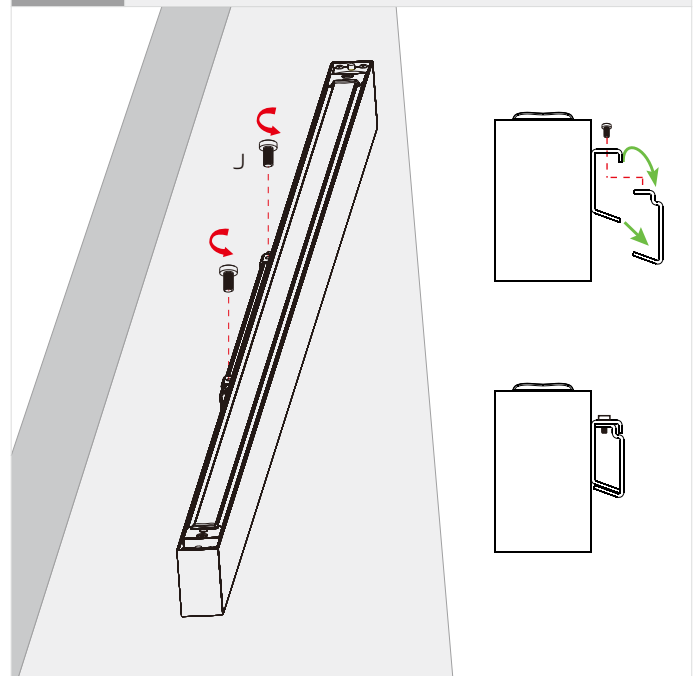


#### Step 3 Wiring – SoR



- 3-1: Plug in AC wires, dimming wires and ground wire into the male quick connector (5 holes) "E" according to label instructions.
- 3-2: Plug in the male and female connector together, hide all wires into the junction box.

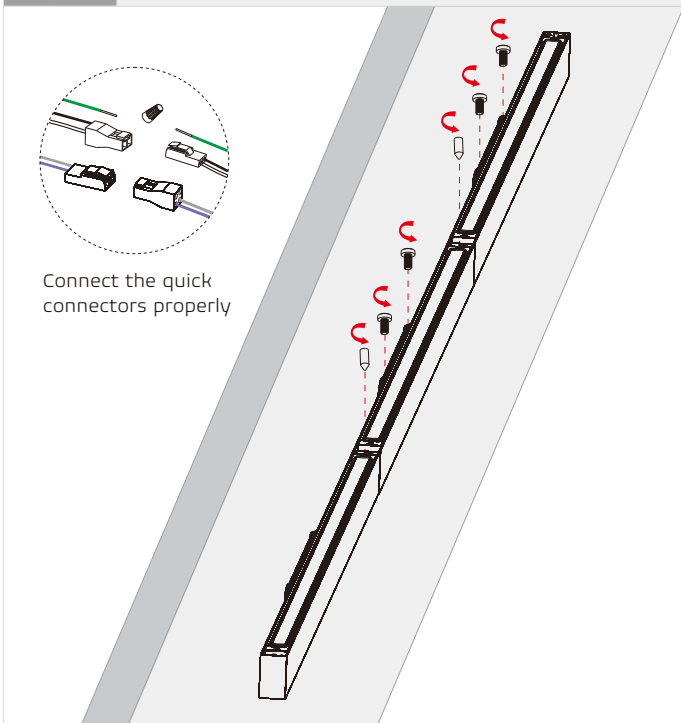
#### Step 4 Mounting



Match the hole position of the fixture and "wall mounting bracket", and mount the fixture onto wall with screw "J".



Step 5 Repeat install and join steps - MoR to EoR



Step 6 Complete



### 42' Diffuser Lens Roll

