

VWPT Traditional Wall Packs



STANDARD



FEATURES

- Available in 4000k (neutral white) and 5000k (cool white) color temperatures.*
- Long-life LEDs provide at least 70% of initial lumen output (L_{70}) for $\geq 158,000$ hours of operation, and at least 90% of initial lumen output (L_{90}) for $\geq 49,000$ hours of operation.*
- LED chromaticity based on ≤ 5 -step ANSI quadrangles.
- LED color maintenance ≤ 0.002 chromaticity shift ($\Delta u'v'$) over the initial 6,000 of operation.
- Provides a range of 6,401 to 15,738 nominal lumens and 141 to 151 nominal lumens per watt (lm/W).
- 1-10vdc dimming drivers, which provide 10% continuous dimming are standard.
- Universal 120-277 AC voltage (50-60Hz) is standard.
- Power factor > 0.90 .
- Total harmonic distortion $< 20\%$.
- Color rendering index (R_a) > 70 . Red color rendering > -28 .
- Cast aluminum housing with dark bronze, powder coat finish.
- Glass lens.
- Three $\frac{1}{2}$ " NPT threaded openings.
- Easy installation in new construction or retrofit applications.

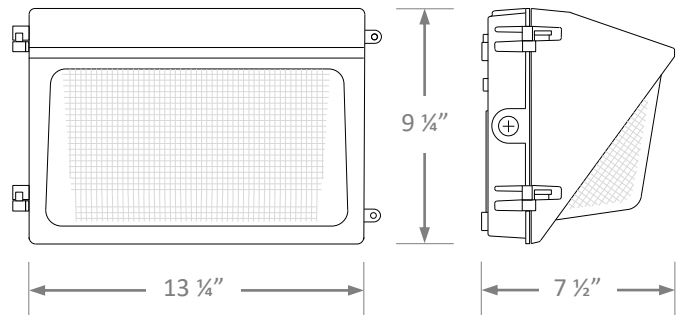
* Contact factory for other color temperatures and lumen packages.

** L_{70} & L_{90} hours are IES TM-21-11 calculated hours.

WARRANTY & LISTINGS

- cULus listed for wet locations in ambient temperatures from -20°C to 40°C (-4°F to 104°F).
- IP65 rated for ingress protection.
- DLC 5.1 premium approved.
- Complies with FCC Part 15, class A.
- Complies with IEEE C.62.41-2002, surge immunity protection (2kV).
- Complies with RoHS (Restriction on Hazardous Substances) requirements.
- 5-year warranty of all electronics and housing.

DIMENSIONS



ORDERING INFORMATION

Example: VWPT-6L-5K

Series	Nominal Lumen Output		Color Temperature	
VWPT	6L	6,000 lumens	4K	4000k
	8L	8,000 lumens	5K	5000k
	10L	10,000 lumens		
	12L	12,000 lumens		
	16L	16,000 lumens		

Value Engineered Lighting www.velighting.com Ph: 888-668--195 sales@velighting.com

Specifications and dimensions subject to change without notice.

VWPT Traditional Wall Packs

ELECTRICAL DATA

Model	Color Temperature	CRI ¹	Luminaire Lumens	Luminaire Watts	Lumens/Watt	Input Voltage ²	Input Current (A)			Power Factor	THD ³	L ₇₀ Hours ⁴
							120V	240V	277V			
VWPT-6L-4K	4000k	>70	6,401	42	151	120-277	0.35	0.18	0.15	>0.90	<20%	181,000
VWPT-6L-5K	5000k	>70	6,437	42	151	120-277	0.35	0.18	0.15	>0.90	<20%	181,000
VWPT-8L-4K	4000k	>70	8,264	56	147	120-277	0.47	0.23	0.20	>0.90	<20%	173,000
VWPT-8L-5K	5000k	>70	8,346	57	147	120-277	0.47	0.24	0.20	>0.90	<20%	173,000
VWPT-10L-4K	4000k	>70	9,944	68	145	120-277	0.57	0.29	0.25	>0.90	<20%	172,000
VWPT-10L-5K	5000k	>70	10,048	69	146	120-277	0.57	0.29	0.25	>0.90	<20%	172,000
VWPT-12L-4K	4000k	>70	12,145	83	146	120-277	0.69	0.35	0.30	>0.90	<20%	167,000
VWPT-12L-5K	5000k	>70	12,241	84	146	120-277	0.70	0.35	0.30	>0.90	<20%	167,000
VWPT-16L-4K	4000k	>70	15,523	110	141	120-277	0.92	0.46	0.40	>0.90	<20%	158,000
VWPT-16L-5K	5000k	>70	15,738	111	141	120-277	0.93	0.46	0.40	>0.90	<20%	158,000

¹ Color rendering index.

² All 50-60Hz.

³ Total harmonic distortion.

⁴ L₇₀ refers to the number of hours at which lumen output declines to 70% of the initial level. L₇₀ hours are IES TM-21-11 calculated hours.

PHOTOMETRIC DATA

VWPT-6L-5K

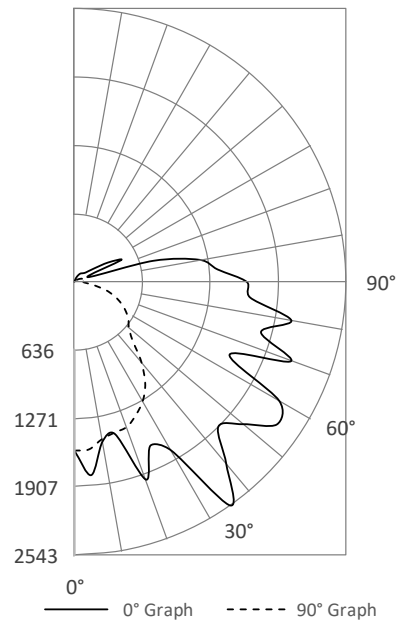
Luminaire Data

Description	Traditional Wall Pack 6L, 5K
Total Lumens	6,437
Input Wattage	43
Efficacy (lm/W)	151
Max. Cd.	2867.21 (360H, 53V)
IES Classification	Type IV
Longitudinal Classification	Very Short

Luminaire Classification Systems (LCS)

LCS Zone		Lumens	%Lum
FL	0-30	713	11.1%
FM	30-60	1,939	30.0%
FH	60-80	1,355	21.0%
FVH	80-90	572	8.9%
BL	0-30	455	7.1%
BM	30-60	411	6.4%
BH	60-80	113	1.8%
BVH	80-90	25	0.4%
UL	90-100	452	7.0%
UH	100-180	402	6.2%
Total		6,437	99.8%
BUG Rating		B1-U3-G4	

180° Polar Graph



Zonal Lumen Summary

Zone	Lumens	%Fixt
0-30°	1,168	18.1%
0-60°	3,518	54.7%
0-80°	4,986	77.5%
80-90°	597	10.7%*
0-90°	5,583	86.7%
90-110°	630	9.8%
110-180°	0	0.0%
0-180°	6,437	100.0%

* 80-90° glare zone is calculated by dividing the lumens in that zone by the lumen total in the 0-90° zone

VWPT Traditional Wall PacVks

PHOTOMETRIC DATA

VWPT-8L-5K

Luminaire Data

Description	Traditional Wall Pack 8L, 5K
Total Lumens	8,346
Input Wattage	57
Efficacy (lm/W)	147
Max. Cd.	3699.78 (360H, 52V)
IES Classification	Type IV
Longitudinal Classification	Very Short

Zonal Lumen Summary

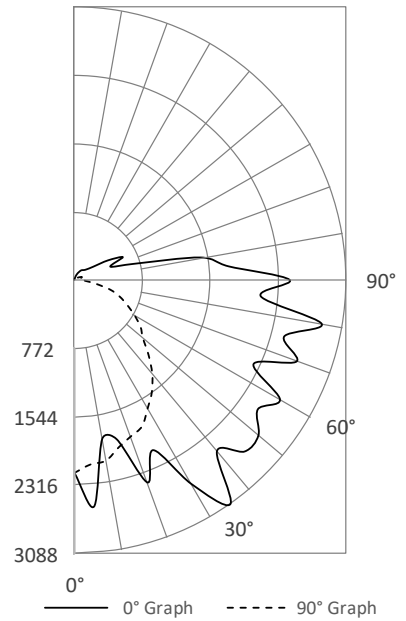
Zone	Lumens	%Fixt
0-30°	1,529	18.3%
0-60°	4,599	55.1%
0-80°	6,503	77.9%
80-90°	764	10.5%*
0-90°	7,267	87.1%
90-110°	787	9.4%
110-180°	0	0.0%
0-180°	8,346	100.0%

* 80-90° glare zone is calculated by dividing the lumens in that zone by the lumen total in the 0-90° zone

Luminaire Classification Systems (LCS)

LCS Zone		Lumens	%Lum
FL	0-30	919	11.0%
FM	30-60	2,507	29.9%
FH	60-80	1,756	21.0%
FVH	80-90	733	8.8%
BL	0-30	610	7.3%
BM	30-60	563	6.7%
BH	60-80	148	1.8%
BVH	80-90	31	0.4%
UL	90-100	575	6.9%
UH	100-180	505	6.0%
Total		8,346	99.8%
BUG Rating		B2-U4-G4	

180° Polar Graph



VWPT-10L-5K

Luminaire Data

Description	Traditional Wall Pack 10L, 5K
Total Lumens	10,048
Input Wattage	69
Efficacy (lm/W)	146
Max. Cd.	4499.89 (360H, 55V)
IES Classification	Type IV
Longitudinal Classification	Very Short

Zonal Lumen Summary

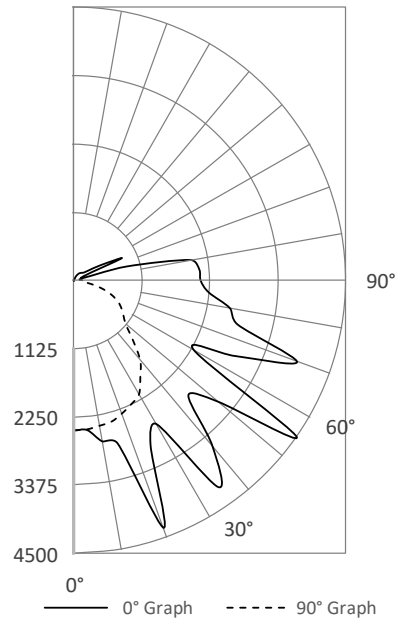
Zone	Lumens	%Fixt
0-30°	1,862	18.5%
0-60°	5,539	55.1%
0-80°	7,810	77.7%
80-90°	968	11%*
0-90°	8,777	87.4%
90-110°	920	9.2%
110-180°	0	0.0%
0-180°	10,048	100.0%

* 80-90° glare zone is calculated by dividing the lumens in that zone by the lumen total in the 0-90° zone

Luminaire Classification Systems (LCS)

LCS Zone		Lumens	%Lum
FL	0-30	1,143	11.4%
FM	30-60	3,006	29.9%
FH	60-80	2,096	20.9%
FVH	80-90	931	9.3%
BL	0-30	719	7.2%
BM	30-60	671	6.7%
BH	60-80	174	1.7%
BVH	80-90	37	0.4%
UL	90-100	656	6.5%
UH	100-180	614	6.1%
Total		10,048	99.9%
BUG Rating		B2-U4-G5	

180° Polar Graph



VWPT Traditional Wall Packs

PHOTOMETRIC DATA

VWPT-12L-5K

Luminaire Data

Description	Traditional Wall Pack 12L, 5K
Total Lumens	12,241
Input Wattage	84
Efficacy (lm/W)	146
Max. Cd.	4872.13 (360H, 40V)
IES Classification	Type IV
Longitudinal Classification	Very Short

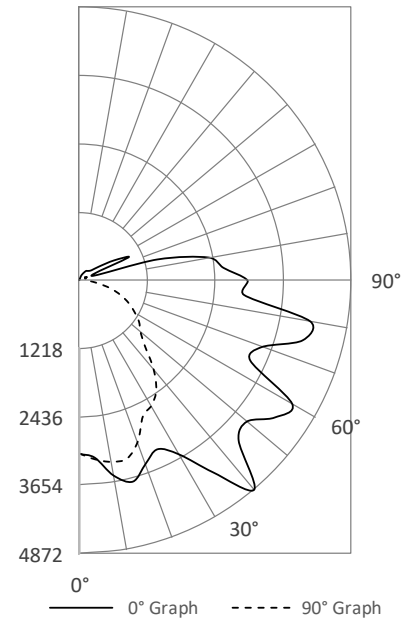
Zonal Lumen Summary

Zone	Lumens	%Fixt
0-30°	2,201	18.0%
0-60°	6,597	53.9%
0-80°	9,383	76.7%
80-90°	1,154	11%*
0-90°	10,538	86.1%
90-110°	1,242	10.1%
110-180°	0	0.0%
0-180°	12,241	100.0%

Luminaire Classification Systems (LCS)

LCS Zone		Lumens	%Lum
FL	0-30	1,359	11.1%
FM	30-60	3,618	29.6%
FH	60-80	2,579	21.1%
FVH	80-90	1,109	9.1%
BL	0-30	842	6.9%
BM	30-60	778	6.4%
BH	60-80	208	1.7%
BVH	80-90	45	0.4%
UL	90-100	882	7.2%
UH	100-180	822	6.7%
Total		12,241	100.0%
BUG Rating		B2-U4-G5	

180° Polar Graph



* 80-90° glare zone is calculated by dividing the lumens in that zone by the lumen total in the 0-90° zone

VWPT-16L-5K

Luminaire Data

Description	Traditional Wall Pack 16L, 5K
Total Lumens	15,738
Input Wattage	111
Efficacy (lm/W)	141
Max. Cd.	6206.79 (360H, 40V)
IES Classification	Type IV
Longitudinal Classification	Very Short

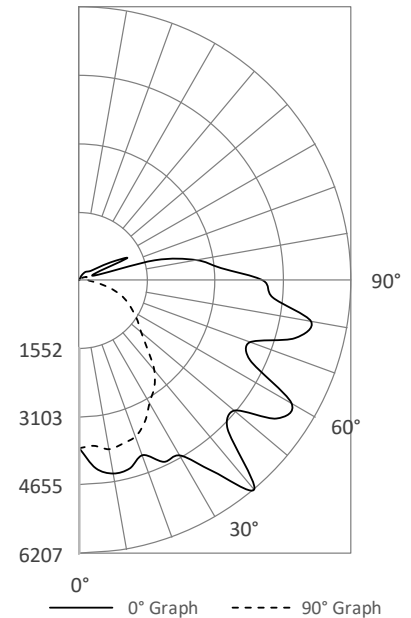
Zonal Lumen Summary

Zone	Lumens	%Fixt
0-30°	2,871	18.2%
0-60°	8,582	54.5%
0-80°	12,164	77.3%
80-90°	1,460	10.7%*
0-90°	13,625	86.6%
90-110°	1,564	9.9%
110-180°	0	0.0%
0-180°	15,738	100.0%

Luminaire Classification Systems (LCS)

LCS Zone		Lumens	%Lum
FL	0-30	1,763	11.2%
FM	30-60	4,673	29.6%
FH	60-80	3,318	21.0%
FVH	80-90	1,404	8.9%
BL	0-30	1,108	7.0%
BM	30-60	1,038	6.6%
BH	60-80	264	1.7%
BVH	80-90	56	0.4%
UL	90-100	1,118	7.1%
UH	100-180	995	6.3%
Total		15,738	99.8%
BUG Rating		B3-U5-G5	

180° Polar Graph



* 80-90° glare zone is calculated by dividing the lumens in that zone by the lumen total in the 0-90° zone