

Series VWP10 Adjustable Wallpack



DESCRIPTION

Slim wall pack is available in two watts for a variety of applications including building perimeter, entrances, stairways and security lighting. VMWP10 series of luminaires provides a low-profile architectural style with the power of bright, energy efficient LEDs. It has a rugged aluminum construction with multi-mount capabilities. 0° to +90° tilt adjustments. For a building that has a modern or futuristic look.

SPECIFICATION FEATURES

Construction

- Sealed die-casting profile for outdoor applications.
- Suitable for applications requiring 3G testing prescribed by ANSI C136.31.

Optics

- Light engines are available in standard 4000 K and 5000 K (70 CRI) configurations.
- Scalable Lumen Packages from 3,500 to 10,500 Lumens.
- Tempered UV coated flat lens provide outstanding performance, uniformity and glare control.

Electrical

- Standard drivers feature electronic universal voltage (120-277V 50/60Hz) operation.
- Greater than 0.9 power factor, less than 20% harmonic distortion, and is suitable for operation in -40°C to 40°C ambient environments.

Lifespan

- Estimated 50,000-hour LED lifespan based on IES LM-80 results and TM-21 calculations.

Warranty

- Five-year warranty.

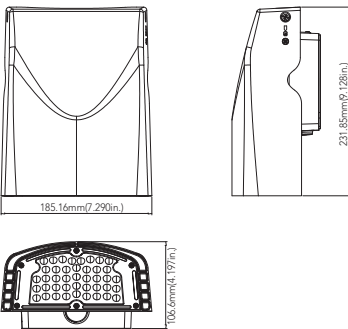
Applications

- Security, pathway and perimeter lighting, Building entryways and walkways.

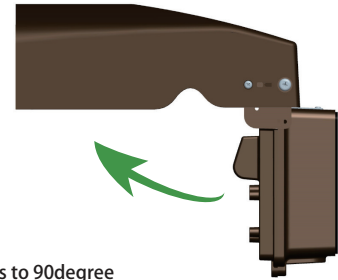
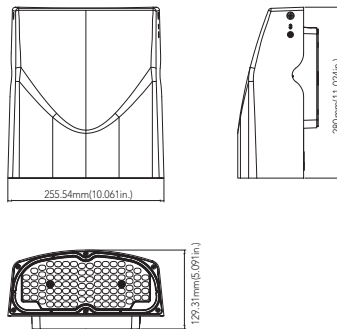
DIMENSIONS

unit: mm/inch

Small size: 27W/40W

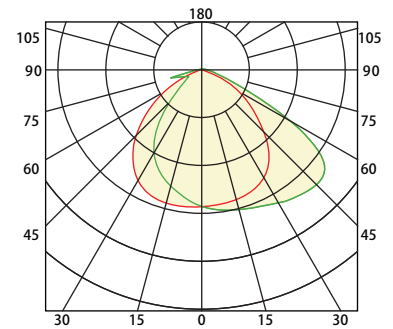


Medium size: 65W



Head tilts to 90degree

PHOTOMETRICS



ACCESSORIES

Photocell

No. PC-JL-120-277V

USE: Photocell is field installed or pre-installed in factory by requesting



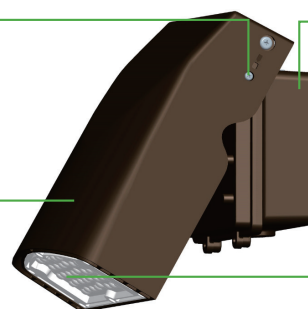
Mounting

0° to +90° tilt adjustments, To meet the needs of customers with different lighting angles.



Housing

Suitable for both indoor and outdoor application, also suitable for J-BOX mounting and surface mounting.



Photocell

Optional for photocell, and allows for security and energy saving.

Lens

Polycarbonate optical lens with UV stabilizers do not exhibit yellowing and deformation.

PERFORMANCE DATA

SYSTEM WATTS	VOLTAGE	4000K(70CRI)		5000K(70CRI)	
		LUMENS	LPW	LUMENS	LPW
27W	120-277VAC	3500lm	130 lm/W	3600lm	133 lm/W
40W	120-277VAC	5100lm	128 lm/W	5200lm	130 lm/W
67W	120-277VAC	8800lm	131 lm/W	8900lm	133 lm/W
80W	120-277VAC	10000lm	125 lm/W	10500lm	131 lm/W

ELECTRICAL DATA

Number Of Drivers	Driver Current (mA)	Nominal Power (W)	INPUT VOLTAGE (V)	CURRENT (Amps)
1	430	27	120	0.23
		27	208	0.13
		27	240	0.11
		27	277	0.10
1	640	40	120	0.33
		40	208	0.19
		40	240	0.17
		40	277	0.14
1	1110	67	120	0.56
		67	208	0.32
		67	240	0.28
		67	277	0.24
1	2120	80	120	0.67
		80	208	0.38
		80	240	0.33
		80	277	0.29

ORDERING GUIDE

Example: VMWP10 40W 27V 50K Y Y Y Y

Fixture Type	Power Consumption	Input Voltage	CCT	Finish	Photocell (Option)	Dimmable	Internal Code
<input type="text"/>	<input type="text"/>	<input type="text"/>	<input type="text"/>	<input type="text"/>	<input type="text"/>	<input type="text"/>	<input type="text"/>
VMWP10 Wall Pack Series	27 27Watts 40 40Watts 67 67Watts 80 80Watts	27V 120-277V	40K 4000K 50K 5000K	D Dark Bronze B Black W White	P0 120-277V Photocell Blank Without Photocell	D 0-10 Dimmable Blank NON Dimmable	Blank Alphanumeric