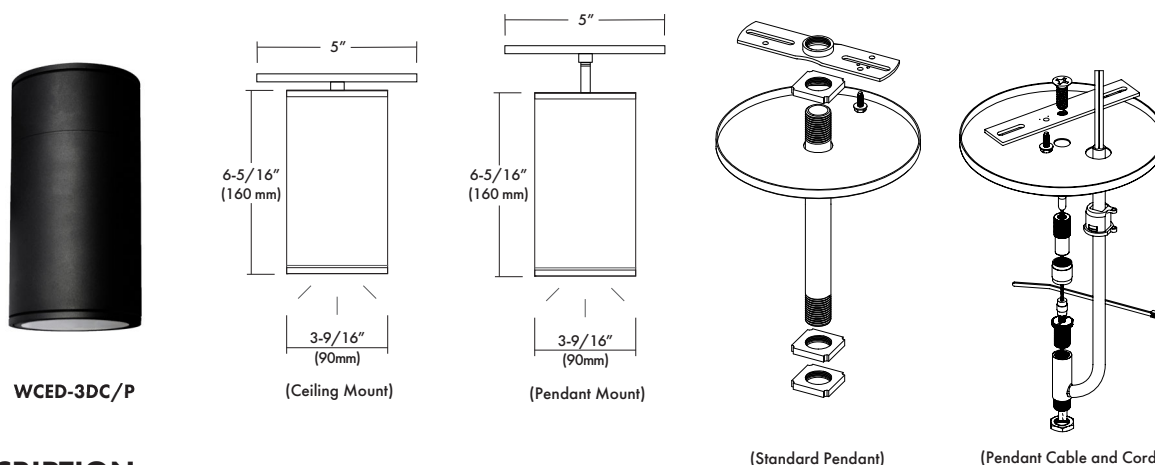




# VWCED-3DC/P

120/277VAC, 3" Round Ceiling and Pendant Mount Cylinders

## 3" LED Cylinder



### DESCRIPTION

The VWCED-3D3" Round Cylinders are Wet Location and IP65 rated for outdoor use. These cylinders come in two versions : ceiling "C" and pendant "P". The pendant mount cylinders are available with the standard pendant, swivel mount pendant, or pendant cable and cord. The fixtures are offered in 15W and 20W LED, DoB modules with a customized IC, highbred circuit on board with dimming down to 5% with most Triac and ELV dimmers or 0-10V dimming. DoB, 120/277VAC Direct technology has low heat, great reliability and has been designed for these fixtures to operate environments between -22° F to 104° F (-30° C to 40° C). Optional EM Drivers for emergency lighting are available.

### DESIGN FEATURES

#### Features

- All aluminum construction, powder coat painted in white, black or silver finish for harsh, weatherproof applications.
- DOB, 120/277VAC Direct technology in 15W or 20W dimmable modules with integrated circuit, customized chips on board.
- 80 or 90 CRI with color temperatures in 3000K, 3500K or 4000K.
- Wet Location, IP65 Rated.
- Dimming with most Triac and ELV dimmers or 0-10V dimmers.
- Optional Emergency Drivers are available.

#### Mounting

- Mount completely assembled fixture directly on a ceiling J-box. The Ceiling mount model consists of a canopy kit and a 3" threaded nipple.

#### Limited Warranty

- LED Module: 5 years/50K hours
- Product: 3 years

#### Listing

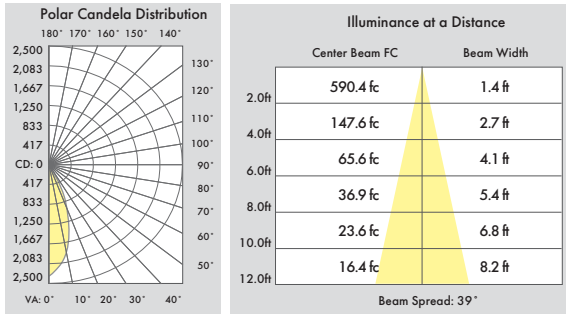
- cCSA-us Wet Location

SPECIFICATION	
Input Voltage	120/277VAC
Wattage (+/-5%)	15 W      20W
Lumen (+/-5%)	1,160lm      1,375lm
Efficacy (LPW)	77.3 lm/W      68.8 lm/W
Beam Angle	39°      62°
CRI (Typical)	80, 90
CCT (Color +/-5%)	3000K, 3500K, 4000K
Dimming	Triac, ELV or 0-10V
LED Module	5 yr/50K hr
Environment	Wet Location

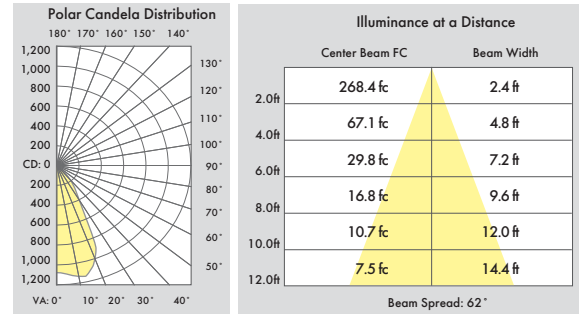
○ 120V Approved Dimmers
* Lutron: Skylark S-600 : MRF2-6DN-120 : MACL-153M : DVLV-600P : SELV-300P : CTCL-153P : DVELV-303P : DVCL-153P
* Leviton: D600R, Acenti: Ate06, Trimatron #705W
* Cooper Devine incandescent dimmer 600W
* Pass&seymour harmony incandescent 600W
<b>For 0-10V Driver**</b>
* Lutron: Nova 0-10V : NTFTV Diva 0-10V : DVTV
* Leviton: Decora 0-10V : IP71ODL
* Consult tech. service or factory for additional dimmers ** Consult with factory if you are not using the approved dimmers
<b>** WARNING: DO NOT USE 0-10V Relay Systems like Acuity nPP16 EFP or Creston GLXP-DIMFLV8-LP units with Lum-Tech DoB fixtures</b>

## PHOTOMETRIC REPORT

\* Contact Factory for IES File



[VWCED-3DC/P-15-830]



[VWCED-3DC/P-20-830]

## Ordering Information

Model	-Pendant Style/Length	-Watts	-CRI	Color Temp.*	-Driver	-Housing Finish*	-Options
VWCED-3DC=Ceiling Mount VWCED-3DP=Pendant Mount	Place Style <i>before</i> length - = Standard Pendant - <b>S</b> = Swivel Mount Pendant  <i>Pendant Lengths</i> 3 = 3 Inches 6 = 6 Inches 12 = 12 Inches 18 = 18 Inches 24 = 24 Inches 36 = 36 Inches 48 = 48 Inches  <i>Cable and Cord Lengths</i> C12 = 12 Inches C24 = 24 Inches C36 = 36 Inches C50 = 50 Inches C72 = 72 Inches C120 = 120 Inches	-15 = 15W -20 = 20W	-8 = 80 CRI -9 = 90 CRI	30 = 3000K 35 = 3500K 40 = 4000K	-DOB = 120/277V LED DoB, TRIAC/ELV Dimming  -ZTDOB = 120/277V LED DoB, 0-10V Dimming	-WH = White -BK = Black -SI = Silver	-EM = Emergency Driver

Example : VWCED-3DC-15-827-DOB-WH

\* Consult factory for other Color Temperatures and Finishes