

VTP350

LED Post Top Lantern

30W / 50W / 60W / 80W / 100W / 120W / Power Switch



ValueEngineeredLighting
ARCHITECTURAL LIGHTING PRODUCTS



Specifications

Wattage	30W / 50W / 60W / 80W / 100W / 120W / Power Switch
LED Chip	SMD 3030, Lumileds or Other LED Chips
Driver Brand	Meanwell / SOSEN/ZHIHE or Other Brand
CCT	3000K / 4000K / 5000K / 5700K optional , 3CCT Switch
Light Output	3000lm / 5000lm / 6000lm / 8000lm / 10,000lm / 12,000lm
Efficacy	90-110 LM/W (Can customize higher LM/W if needed)
AC Input Voltage	100~277V / 120-347V / 277-480V
Light Distribution	TypeIII ,TypeIV and TypeV (Easy to exchange Light distribution)
Exclusive Feature(1)	Photocell Sensor / Motion Sensor Available
Exclusive Feature(2)	Frost Glass / Clear Glass / PC Diffuser/ No Diffuser Available
Exclusive Feature(3)	3CCT/Power Tunable Optional
Ambient Temperature	-40°C to +45°C(-40°F to +113°F)
Total Harmonic Distortion (THD)	<20%
Lifetime	50,000H
IP Rating	IP65
Warranty	5 years

Features



CCT Select



Power Select



Motion sensor

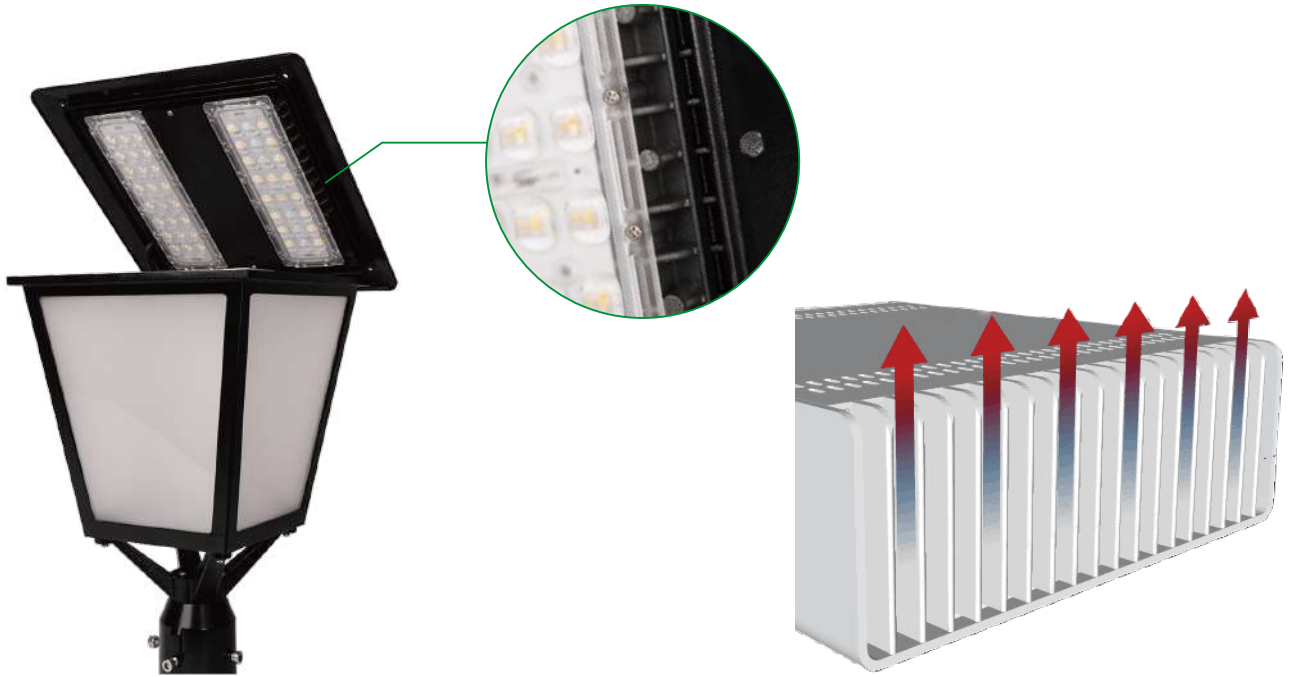


Photocell sensor

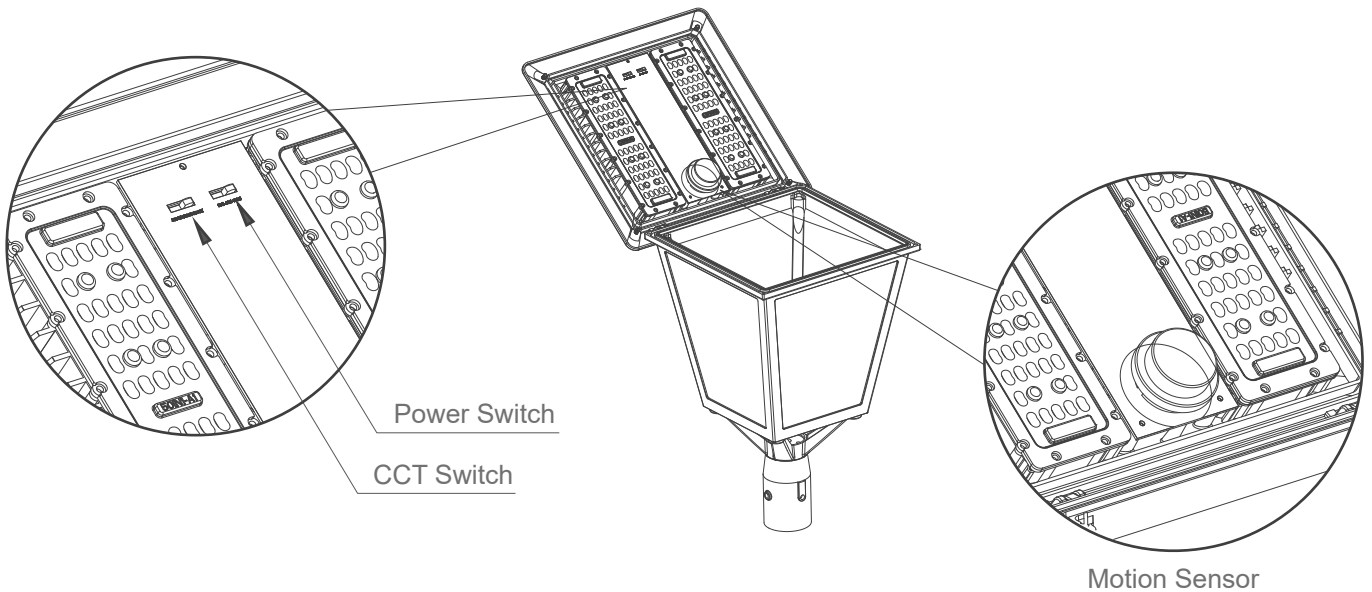


ADC12 Die casting

ADC 12 aluminum die casting, fine heat dissipation



CCT Select & Power Select



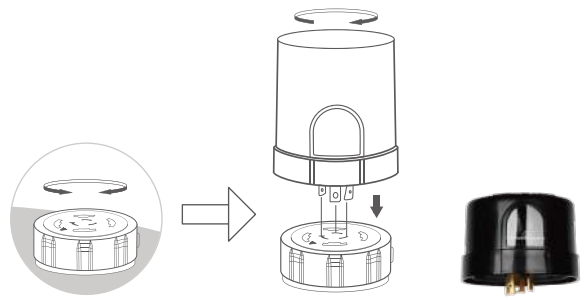
Photocell Sensor

It is a Standard Three-Prong Twist Lock Photocell which is installed on the top of the Fixtures.

Once the photocell is installed, the area light will automatically turn on and off, dusk to dawn.

Daylight (ambient light threshold) adjustable:

10lux / 30lux / 50lux / 100lux / 150lux / 200lux / 300lux / Disable



Motion Sensor and Daylight Sensor all in one (Daylight sensor function can be closed)

This motion sensor allows extra energy savings without compromising convenience.

With its signature 3-step dimming function, it is perfect for use in areas that require a light change notice before optionally switching off the light.

Daylight(on/off)

Stand-by period adjustable: 1min / 30min / 1h / infinity 0% / 20% / 30% / 50%

Holding Time adjustable: 5s / 1min / 5min / 10min / 15min / 20min / 30min / 1h

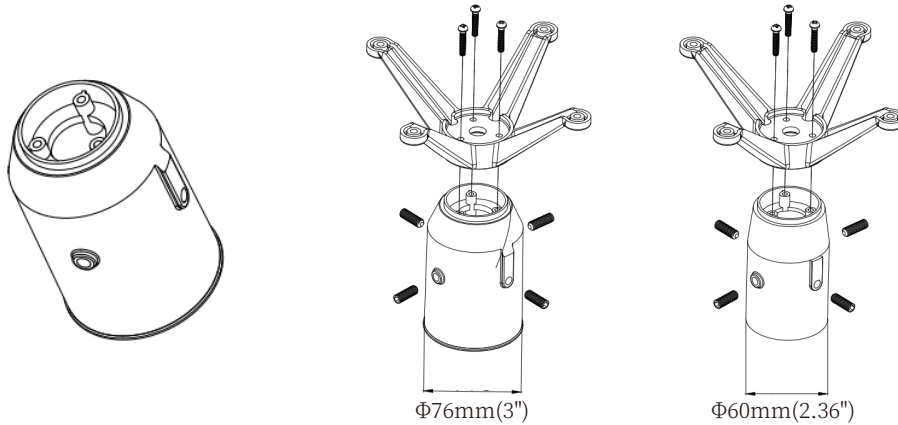


Motion Sensor



Remote Controller

Offering two mount base: 2 3/8 inch and 3 inch



Φ76mm(3")

Φ60mm(2.36")

Different Kinds of Diffuser Available (Frost Glass Diffuser for Normal)



Frost Glass
(Normal)



Clear Glass
(Optional)

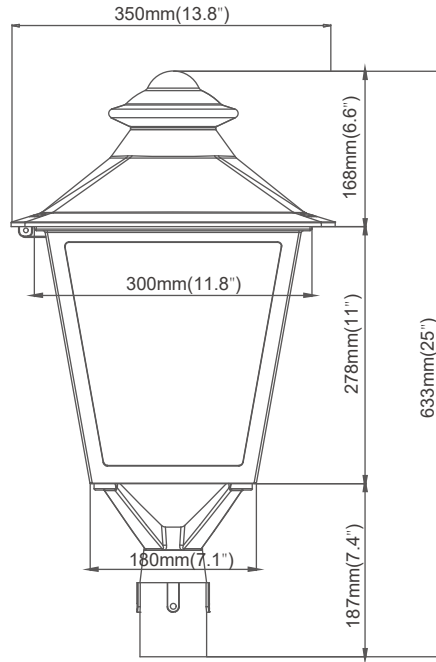


No Diffuser
(Optional)



PC Diffuser
(Optional)

Dimension



Applications

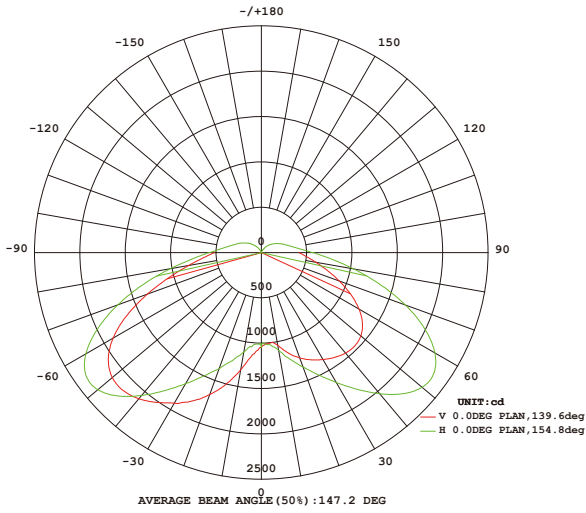


Wall Mount

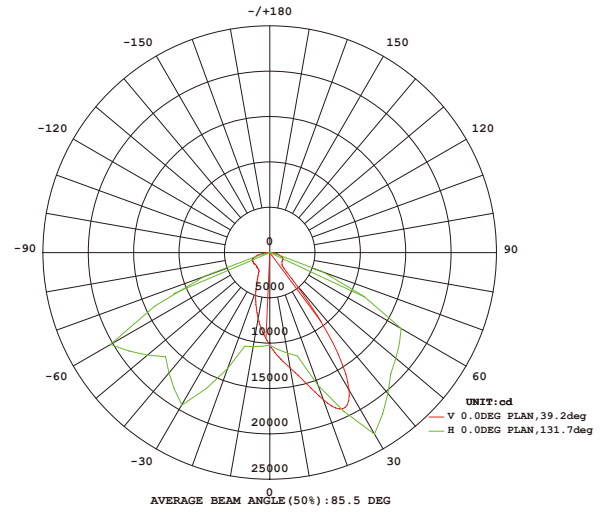


Community

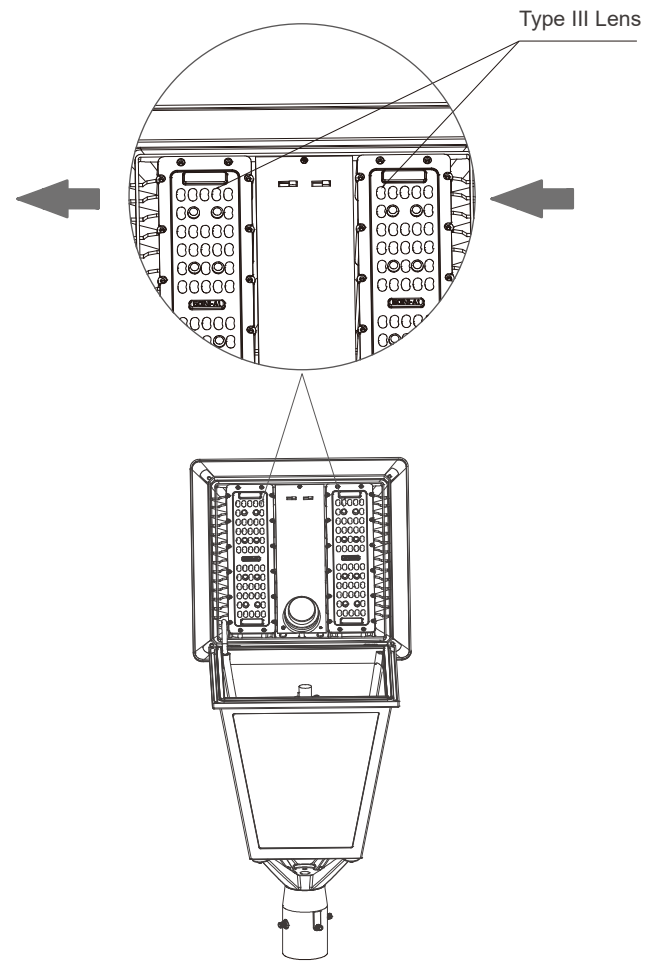
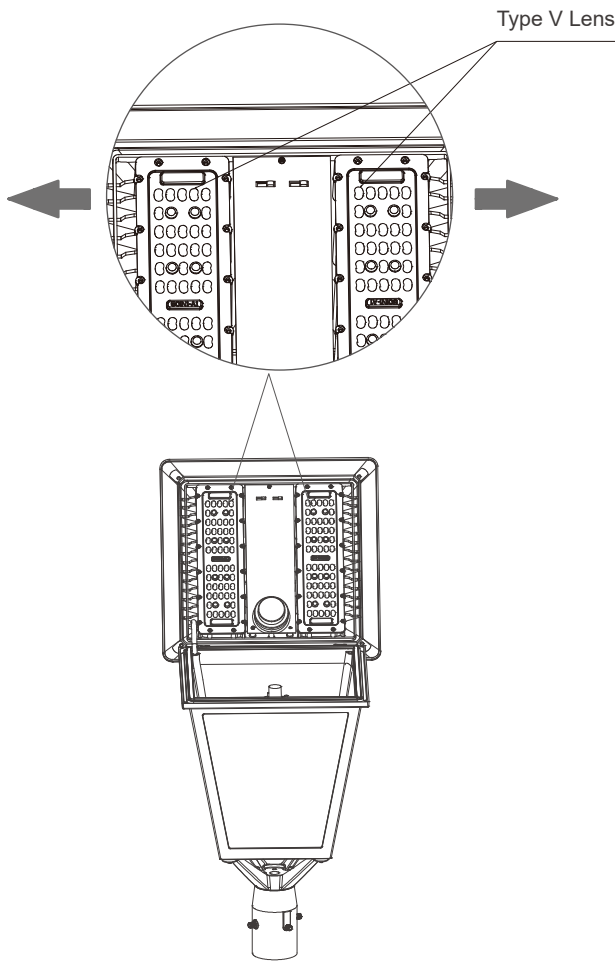
Light Distribution



Type V
(Normal)



Type III
(Optional)



Lens can change direction easily to convert Type V to Type III
 Helpful for inventory according to different project request