

VRK-8A-LKFS

8"

Architectural



STANDARD



FEATURES

- Field selectable 3000k (warm white) 3500k (warm/neutral white), 4000k (neutral white), and 5000k (cool white) color temperatures.*
- Long-life LEDs provide at least 70% of initial lumen output (L₇₀) for 56,000 hours of operation.**
- Color rendering index (R_a) > 90.
- Field selectable lumen output – 2,000, 3,000, 4,000 or 5,000 nominal lumens.
- 53 nominal watts.
- Universal 120-277 AC voltage (50-60Hz) is standard.
- Power factor > 0.90.
- Total harmonic distortion < 20%.
- 1-10VDC dimming is standard.
- Aluminum housing with white slim reflector.
- Easy installation in new construction or retrofit applications. Flexible conduit attaches to junction box.
- Compatible with 8.06" ceiling cut-outs and 8" mounting frames.
- Type non-IC. Access above ceiling required.
- This device is not intended for use with emergency exits.

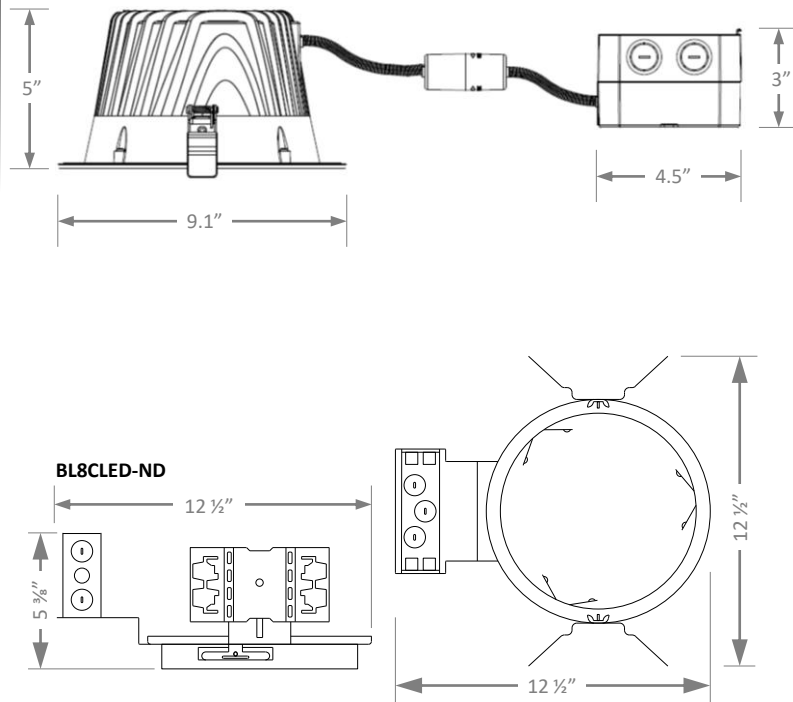
WARRANTY & LISTINGS

- cETLus listed for wet locations.
- Energy Star certified.
- Compatible for new construction and retrofit applications.
- Complies with FCC Part 15, class A.
- Complies with EN61000-4-5 surge protection (line-neutral, 1kV).
- 5-year warranty of all electronics and housing.

* Contact factory for other color temperatures and lumen packages.
 ** L₇₀ hours are IES TM-21-11 calculated hours.



DIMENSIONS



Weight: 3 lbs.

ORDERING INFORMATION

Example: BRK-8A-LKFS

Series	Lumen Output/ Color Temperature		Accessories (Order Separately)	
	LKFS*	Selectable Lumens Selectable CCT	BL8CLED-ND	Mounting frame with j-box
VRK-8A		2,000 lm 3000k		
		3,000 lm 3500k		
		4,000 lm 4000k		
		5,000 lm 5000k		

*Field selectable