

# VRK-6A-LKFS 6" Architectural Downlight



## STANDARD



## FEATURES

- Field selectable 3000k (warm white) 3500k (warm/neutral white), 4000k (neutral white), and 5000k (cool white) color temperatures.\*
- Long-life LEDs provide at least 70% of initial lumen output ( $L_{70}$ ) for 56,000 hours of operation.\*\*
- Color rendering index ( $R_a$ ) > 90.
- Field selectable lumen output – 1,000, 1,500, or 2,000 nominal lumens.
- 22 nominal watts.
- Universal 120-277 AC voltage (50-60Hz) is standard.
- Power factor > 0.90.
- Total harmonic distortion < 20%.
- 1-10VDC dimming is standard.
- Aluminum housing with white smooth reflector.
- Easy installation in new construction or retrofit applications. Flexible conduit attaches to junction box.
- Compatible with 6.25" ceiling cut-outs and 6" mounting frames.
- Type non-IC. Access above ceiling required.
- This device is not intended for use with emergency exits.

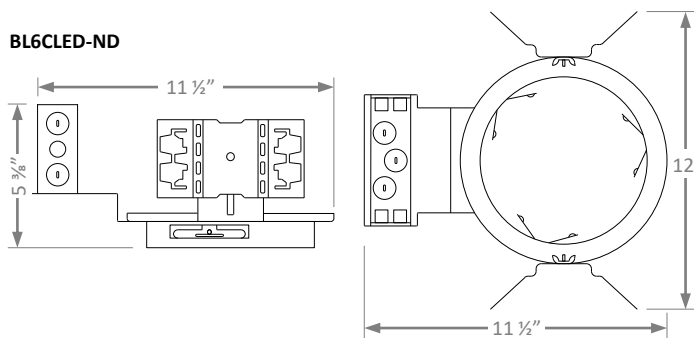
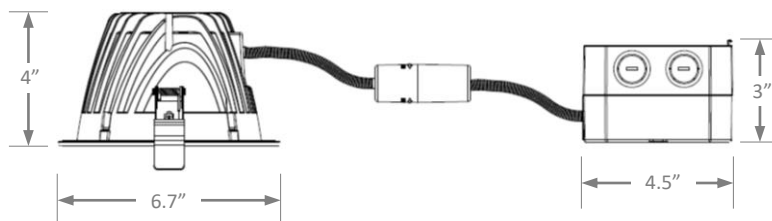
## WARRANTY & LISTINGS

- cETLus listed for wet locations.
- Energy Star certified.
- Compatible for new construction and retrofit applications.
- Complies with FCC Part 15, class A.
- Complies with EN61000-4-5 surge protection (line-neutral, 1kV).
- 5-year warranty of all electronics and housing.

\* Contact factory for other color temperatures and lumen packages.  
 \*\*  $L_{70}$  hours are IES TM-21-11 calculated hours.



## DIMENSIONS



Weight: 2 lbs.

## ORDERING INFORMATION

Example: VRK-6A-LKFS

Series	Lumen Output/ Color Temperature		Accessories (Order Separately)	
	VRK-6A	LKFS*	Selectable Lumens	Selectable CCT
		1,000 lm	3000k	
		1,500 lm	3500k	
		2,000 lm	4000k	
			5000k	

\*Field selectable