

# VRHLED Outdoor LED Remote Head



Also available in Thermoplastic

## ILLUMINATION

- Long lasting, efficient, ultra bright white LED lamp heads.
- High performance chrome-plated metallized reflector and glass lens with 8 or 12 LED's in each lamp head for optimal light distribution.
- Adjustable LED lamp heads increases center-to-center spacing.

## ELECTRICAL

- Powered from low voltage power source with low voltage wiring (not provided).

## MOUNTING

- Universal mounting base mounts to single-gang switch box.
- Distance of maximum run is determined by system voltage, wire gauge and total maximum wattage on the run.
- Suitable for wall or ceiling mount.

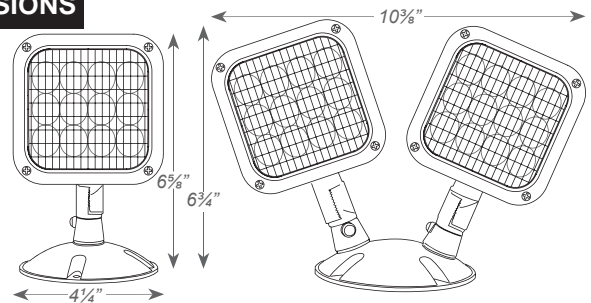
## HOUSING

- Available in both engineering grade, high-impact resistant thermoplastic or premium grade die-cast aluminum housing.
- Sealed and gasketed in standard gray or optional black finish.

## WARRANTY / LISTING

- Five year warranty.
- UL Listed with approved Best Lighting Products.
- Meets UL924, NFPA 101 Life Safety Code, NEC, OSHA, Local and State Codes.

## DIMENSIONS



## FIXTURE COMPATIBILITY CHART

Reference individual unit equipment specification sheets for remote load capacity availability.

MODEL TYPE	3.6V	9.6V	MV
VLEDCXTEU-RC		X	X
VCLPU-RC		X	X
VCKXTEU-RC	X		X
VLEDR-5HO	X		X
VLEDTFX-2		X	X
VE-1-RC	X		X
VCEU-RC	X		X

## ORDERING INFORMATION

Sample Part Number: **RHLED-1-WP-9.6**

MODEL	No. of HEADS	OPTIONS		HOUSING		VOLTAGE		COLOR		LAMP TYPE <sup>1</sup>		
VRHLED	1	Single Head	Blank	For standard non-self-diagnostic fixtures	PWP	Thermoplastic	3.6V	For use with 3.6V batteries	Blank	Gray	Blank	8 LEDs 1W
	2	Double Head	SDT	For use with fixtures with a self-diagnostic option	WP	Die-cast	9.6V	For use with 9.6V batteries	B	Black	HL	12 LEDs 1.5W
							MV	For use with 3.6V, 6V, 9.6V & 12V batteries				

Notes:

1. Wattage rating stated per head.