

# Adjustable POST TOP LIGHT

30W / 50W / 60W / 80W / 100W / 150W



ValueEngineeredLighting  
ARCHITECTURAL LIGHTING PRODUCTS



## Specifications

Wattage	30W / 50W / 60W / 80W / 100W / 150W / Power Tunable
LED Chips	SMD 2835, Samsung or Other LED Chips
Driver Brand	Meanwell / SOSEN/ ZHIHE or Other Brand
Material	Aluminum alloy+PC lens
Color Temp	3000K( Warm white) / 4000K (Natural white) / 5000K(Daylight)/ 3CCT Switch
Lumen	130-140LM/W (Higher LM/W can be provided)
AC Input Voltage	AC120-277V/AC120-347V/AC180-480V Available
Mounting Methods	3" Round Pole (Normal); 2 3/8" Adapter (Available)
Exclusive Feature (1)	Motion Sensor/ Photocell Sensor/WIFI Camera Optional
Exclusive Feature (2)	3CCT/Power Switch Available
Exclusive Feature (3)	Bracket turnable to save package volume
Ambient Temperature	-40°C to +45°C(-40°F to +113°F)
Total Harmonic Distortion (THD)	< 15%
Housing	Bronze/Black or other customs color
Lifetime	50,000H
Warranty	5 years

# Features



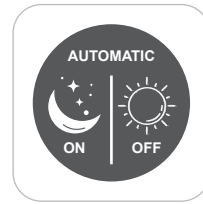
CCT Select



Power Select

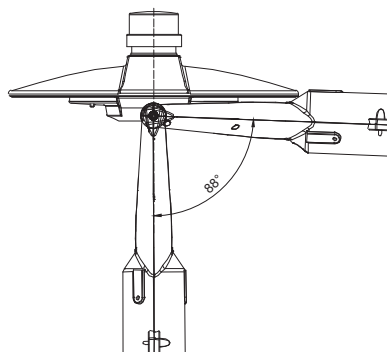
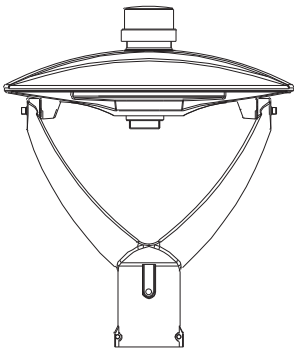


Motion sensor



Photocell sensor

## Exclusive Feature (Adjustable Bracket)



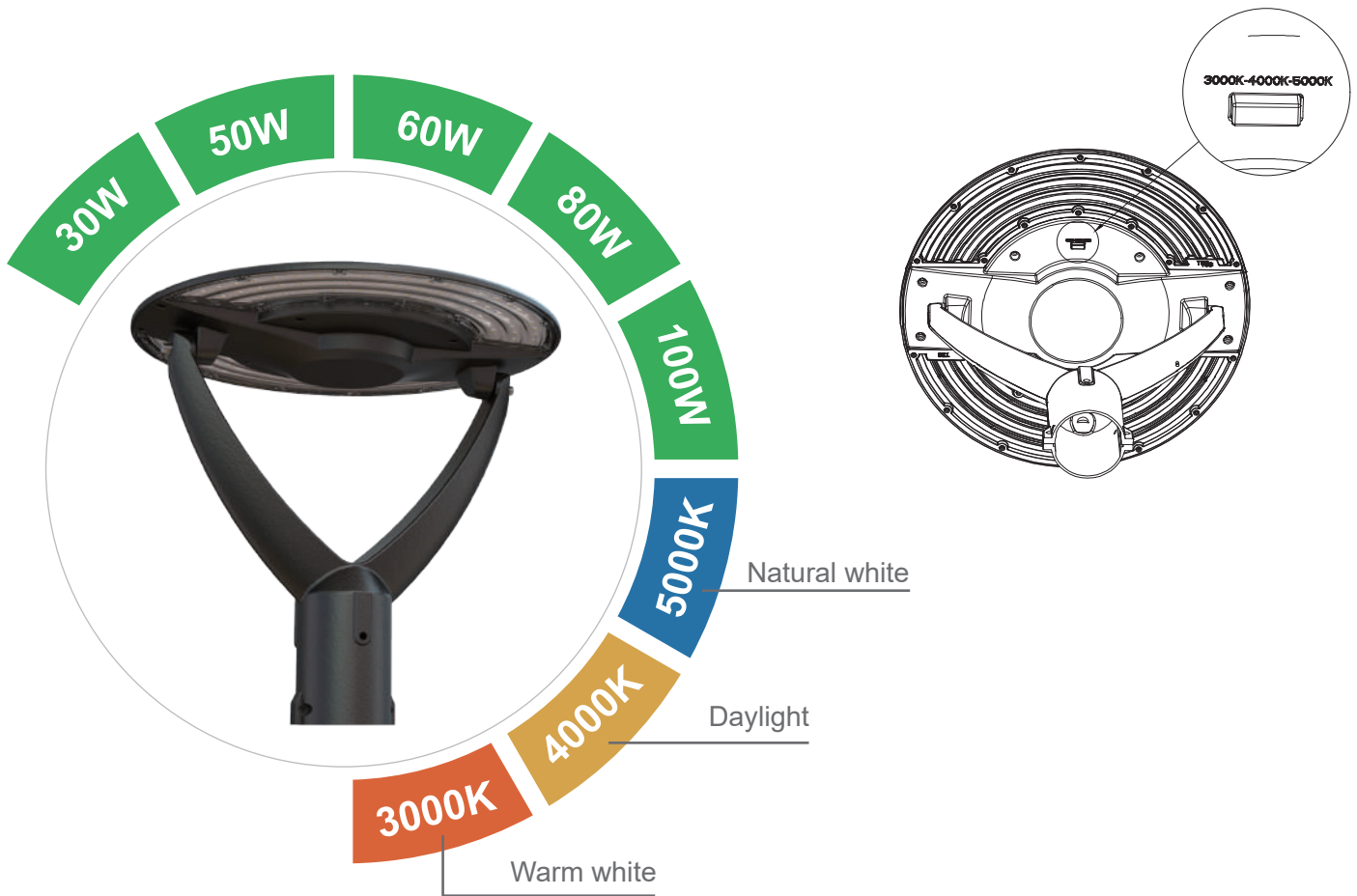
## Optional Functions Available



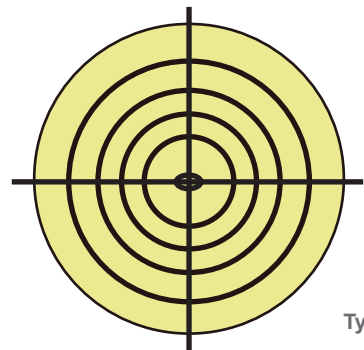
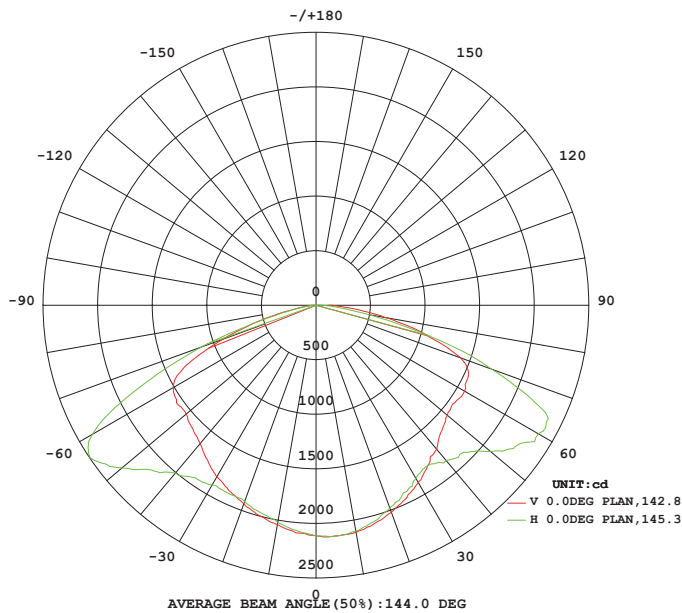
Photocell Sensor

Motion Sensor

## CCT & Power Select

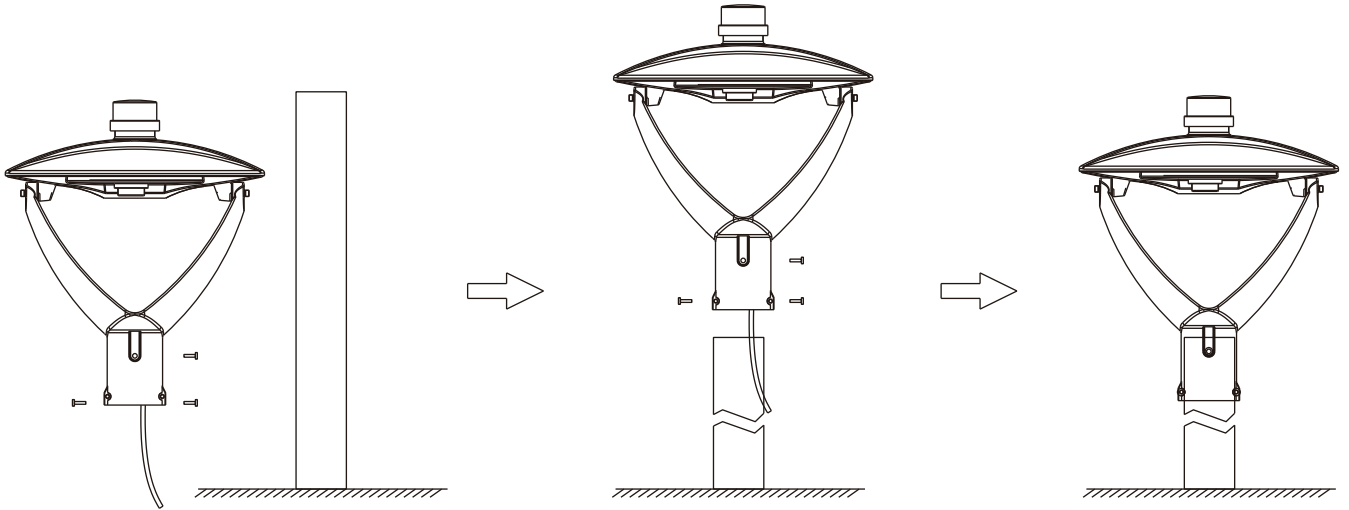


## Light Distribution



# Installation

## 3" Round Pole Installation



# Dimension

