



FEATURES & SPECIFICATIONS

APPLICATION — The VLSLL Series LED Sign Lighter is designed illuminating architectural surfaces and commercial signage. Areas with limited accessibility due to fixture location or where heavy pedestrian or vehicle traffic makes maintenance difficult are ideal applications. The low profile design keeps the fixture placement discrete for both ground and wall mounted applications.

CONSTRUCTION — The heavy duty housing is constructed of extruded aluminum. The optical assemblies are sealed in place using a silicone gasket for weather tight protection. Modular LED bricks wired in parallel for ease of maintenance. ETL listed for wet locations (IP64). Additional IP66 rating available upon request.

FINISH — A Super Durable Polyester powder coat finish is electrostatically applied in our state of the art paint facility. Standard colors available: Black, Bronze, US Green, White. Custom colors available upon request.

OPTICAL SYSTEM — Made with a state of the art UV stabilized acrylic high performance refractive optical assemblies that use high transmissivity materials to achieve smooth, uniform asymmetrical light patterns for illuminating signage.

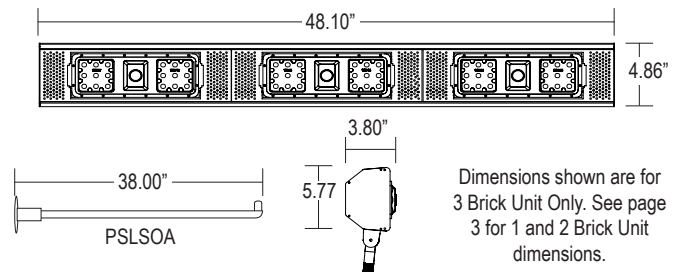
ELECTRICAL SYSTEM — Available in up to a 3 brick LED system in 5000K Cool White (+/- 500K) or 4100K Neutral White color temperatures propagated with Philips Lumileds LUXEON® T LED's. Available with 90-300V 50/60 Hz Class II power supply. LED's rated over 425,000 hours (TM21 Calculated L70) at 25°C ambient temperature with selectable 700mA or 1050mA operation. Lumen Maintenance >97% at 50K hrs. 347V and 480V input options available. Standard 0-10V dimming. Driver provided with integral 4kV surge protection that meets IEEE C62.42.2-2002. Optional 10kV Surge Suppressor available (see accessories). Built-in Active PFC Function. LED Power Supply conforms to UL1310 Class 2 and UL8750 standards and is IP67 rated for wet locations.

MOUNTING — Two ½" adjustable knuckles are provided to easily adjust and aim the fixture at the desired surface to illuminate. Each knuckle is designed to rotate over 180° to allow mounting with the fixture orientated above or below the intended target. Wall mount stand-off brackets (38") are available for wall mount applications. Mounting stakes and junction boxes are available for ground mounting applications.

LISTINGS — LED Power Supply listed for wet locations (IP67). LED bricks ETL listed for wet locations (IP64). Meets US and Canadian safety standards. -40°C to 50°C ambient operation. RoHS Compliant.



LED Sign Lighter VLSLL SERIES



Series	Housing Height	Length & Width
LVLSSL	4.86"	48.10" x 3.80"

ORDERING INFORMATION

Choose the bold face options for the appropriate luminaire configuration for your application and enter on the line above each fixture attribute. Accessories may be factory installed, depending on the particular accessory chosen, but still be ordered as a separate line item.

Example: **VLSLL3C8T5WC1-BZ PLSOA**

VLSLL

Series	# of Bricks	Color Temp	# LED's per Brick	Optics	Drive Current	Voltage	Finish
VLSLL	1 1 Brick 2 2 Brick 3 3 Brick	C Cool White (5000K) N Neutral White (4100K)	8 18 LED	T2 Type II T3 Type III T4 Type IV T4A Type IV Automotive T5M Type V Medium T5W Type V Wide	C 700mA Driver	1 Multi-Volt ¹ 2 480V 3 347V	BK Black BZ Bronze GR US Green WH White SP Special ²

Accessories (Order as separate line items)

PLSOA	Wall Mount Stand-Off Bracket (38")
LMSB	Mounting Stake (20" x 2-½" with Brass Cap)
TLSBBJB	Brass Junction Box
BSP3-277-LC³	10kV Surge Suppressor
IP66⁴	Additional IP66 Fixture Rating
LEDOPTIC-W	Spill Light Elimination
LEDOPTIC-B	Spill Light Elimination "Black Out"

NOTES

- Multi-Volt is an auto ranging power supply from 90V to 300V input.
- Custom RAL color matching is available. Contact your Techlight sales representative for additional information.
- Specify whether the surge suppressor is to be factory installed in the fixture or field installed on each circuit.
- Additional IP66 rating may not be changed once production has begun on the fixtures.

VLSLL LED Sign Lighter

MOUNTING ACCESSORIES

PSLSOA¹
Wall Mount Stand-Off Bracket Kit(38")



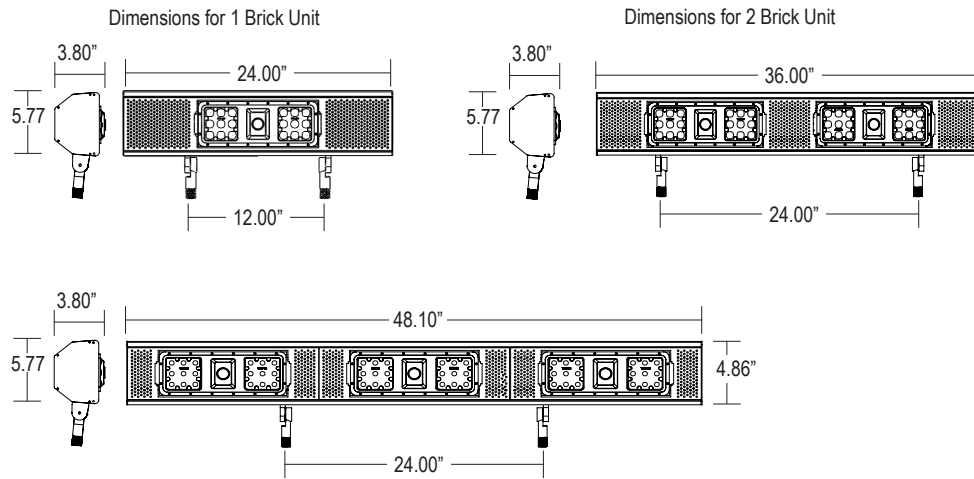
TLSBBJB²
Brass Junction Box



LMSB²
20" x 2.5" Mounting Stake



ADDITIONAL FIXTURE DIMENSIONS



VLSLL LED Sign Lighter

LUMINAIRE CHARACTERISTICS

Cool White (5000K) 700 mA Drive Current

# of LED Bricks	# of LEDs per Brick	Color Temp	Delivered Lumens						System Wattage	L70 @ 25°C	Amperage Draw					
			TYPE II	TYPE III	TYPE IV	TYPE 4A	TYPE 5M	TYPE 5W			120V	208V	240V	277V	347V	480V
1 BRICK	18	CW	4056	3993	4041	3992	4014	4065	41	>495K	0.35 A	0.21 A	0.18 A	0.16 A	0.13 A	0.09 A
2 BRICK	18	CW	8111	7987	8081	7983	8027	8130	81	>495K	0.70 A	0.41 A	0.35 A	0.31 A	0.25 A	0.18 A
3 BRICK	18	CW	12167	11980	12122	11975	12041	12195	122	>495K	1.05 A	0.61 A	0.53 A	0.46 A	0.37 A	0.27 A

Neutral White (4100K) 700 mA Drive Current

# of LED Bricks	# of LEDs per Brick	Color Temp	Delivered Lumens						System Wattage	L70 @ 25°C	Amperage Draw					
			TYPE II	TYPE III	TYPE IV	TYPE 4A	TYPE 5M	TYPE 5W			120V	208V	240V	277V	347V	480V
1 BRICK	18	NW	3969	3908	3954	3906	3928	3978	41	>495K	.35 A	.20 A	.18 A	.15 A	.12 A	.09 A
2 BRICK	18	NW	7938	7816	7908	7813	7855	7956	81	>495K	.68 A	.39 A	.34 A	.30 A	.24 A	.17 A
3 BRICK	18	NW	11906	11724	11862	11719	11783	11934	122	>495K	1.02 A	.59 A	.51 A	.45 A	.36 A	.26 A

WARNING: Maintenance performed including the replacement of LED bricks while power is still supplied to the luminaire may result in system failures and will void the warranty.