

Decorative LED UFO Highbay Light



Product Description

V.E. Lighting Decorative UFO Highbay use best die-casting aluminum housing, anti-corrosion painting design. High-performance Replace 200-900W MH/HPS.

Advantage

- UL certificate.
- Input voltage 100-277VAC.
- No UV or IR in the beam.
- Easy to install and operate.
- Energy saving, long lifespan.
- Light is soft and uniform, safe to eyes.
- Instant start, NO flickering, NO humming.
- Green and eco-friendly without mercury.
- Output constant current lever can be adjusted through output cable with 1-10V.

*The product can not be connected to a dimming device when it's equipped with Motion Sensor.



Applications

Warehouse, factory and workshops; Exhibition hall and supermarkets, etc



LED UFO Highbay Light

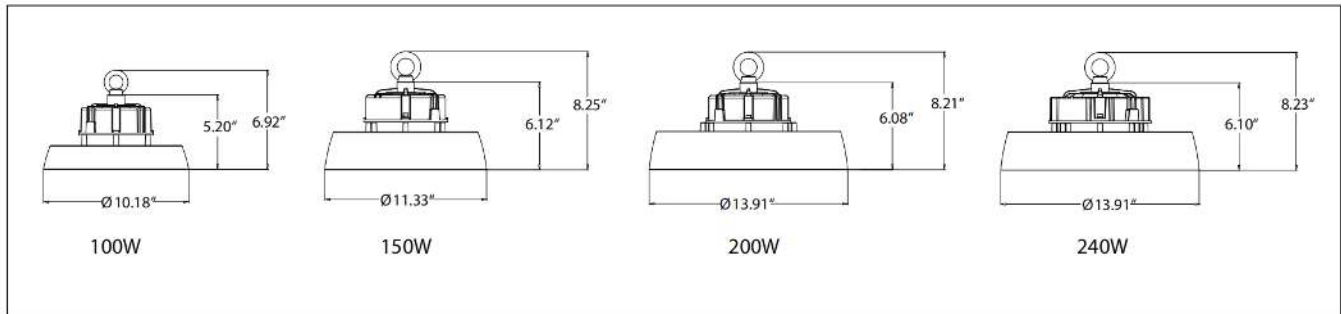
Projected LED Lumen Maintenance

Operating hours	0	25000	50000
Lumen maintenance factor	1	0.91	0.8

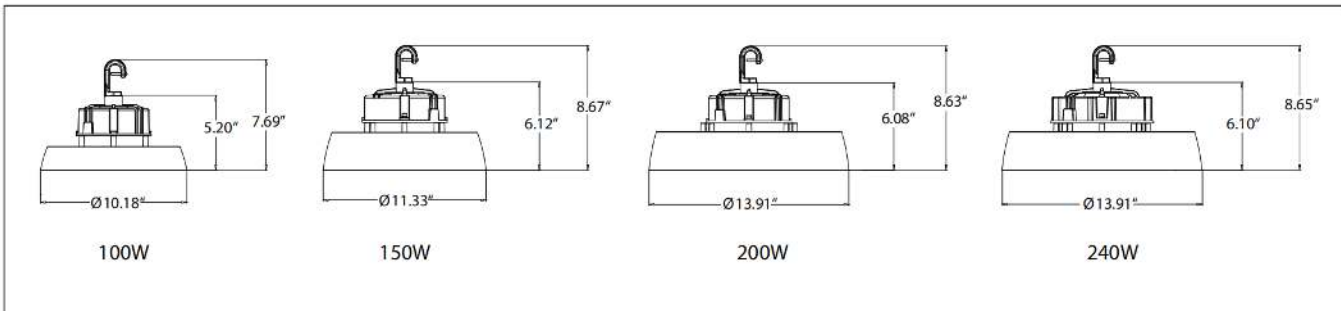
Data references the extrapolated performance projections for the UFO Highbay LED platform in a 25°C ambient, based on 10,000 hours of LED testing (tested per IESNA LM-80-08 and projected per IESNA TM-21-11).

Dimensions

1. Rings type:



2. Hook type:



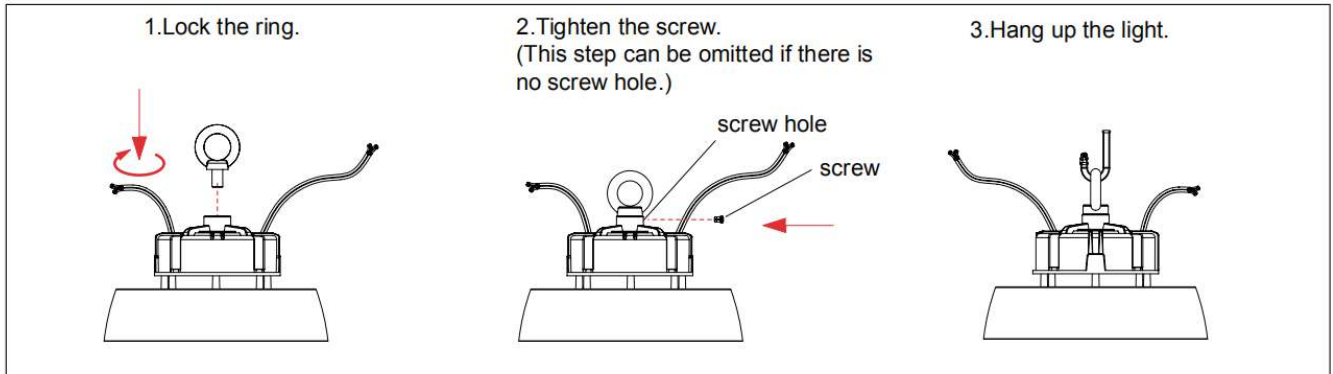
Packing information

Power	Outer box L*W*H	Qty/ctn (pcs)	N. W./Ctn (LBS)	G. W./ctn (lbs)
100W	12.40" x 12.40" x 7.87" 315*315*200mm	1	5.7	7.5
150W	13.58" x 13.58" x 8.66" 345*345*200mm	1	8.0	9.9
200W	16.34" x 16.34" x 8.46" 415*415*215mm	1	9.9	12.3
240W	16.34" x 16.34" x 8.46" 415*415*215mm	1	10.9	13.3

LED UFO Highbay Light

Installation instruction

1. Rings type:



2. Hook type:

