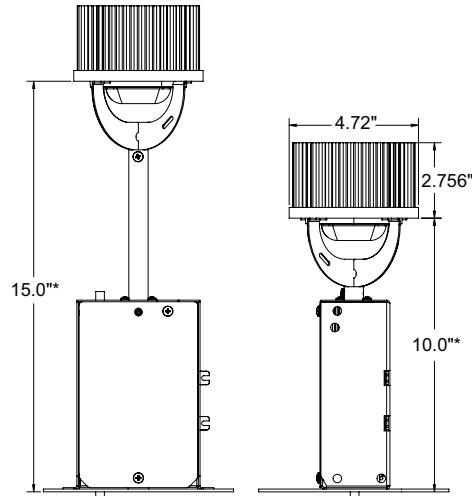


# COMMERCIAL RETROFIT KITS

## For Post Top Acorn Fixtures



**VLRC**



\*Height adjustable from 15" down to 10"

- Estimated 100,000 hrs L<sub>80</sub>
- Available in 3000K, 4000K & 5000K
- Thermal Overload Protected
- Input Voltage: 100-277VAC, 50/60hz
- Replaces Up To 250W Metal halide
- Type 3 & Type 5 Models Available
- 20" 18AWG Leads
- Non-Dimmable
- IP 66 Rated Components
- 5 Year Limited Warranty
- UL/CUL Classified
- DLC Listed

GUIDE: VLRCL40C    

ITEM #	LIGHT SOURCE	CCT	OPTION
VLRC	120-277V LED		T3-Type III Distribution (Type III is special order, Type V is standard)
	L40-40W 4000lm	C-4K (Standard)	
	L60-60W 6000lm	W-3K (Special Order) B-5K (Special Order)	