

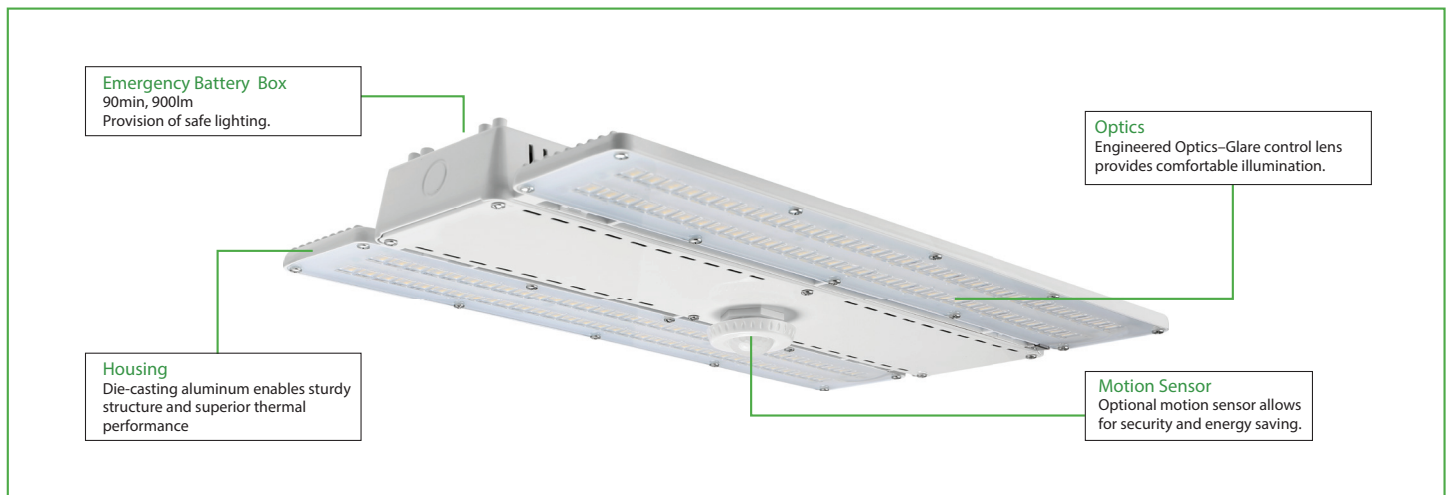
Features

- Die-casting aluminum enables sturdy structure and superior thermal performance.
- Compact design saves time and money during installation.
- Lens meets DLC 5.1 standards for UGR (Unified Glare Rating)
- Thermally protected driver standard with 1-10V dimming.
- Motion Sensor optional and supports Emergency Battery.
- Steel wire rope (default included), pendant or surface mounting available.
- Innovative contractor-friendly packaging makes installation faster.
- 70% lumen maintenance at > 100,000 hours^{180W&210W}
- Operating temperature is -40°C to 55°C (-40°F to 131°F).



Applications:

Suitable for commercial, retail and institutional applications including gymnasiums, factories and warehouses.



PERFORMANCE DATA

SYSTEM WATTS	VOLTAGE	4000K(CRI80)		5000K(CRI80)	
		LUMENS	LPW	LUMENS	LPW
90W	120-277VAC/347-480V	12200lm	136lm/W	12200lm	136lm/W
105W	120-277VAC/347-480V	14300lm	136lm/W	14300lm	136lm/W
130W	120-277VAC/347/480V	18200lm	140lm/W	18200lm	140lm/W
180W	120-277VAC/347-480V	24200lm	134lm/W	24200lm	134lm/W
210W	120-277VAC/347-480V	30000lm	143lm/W	30000lm	143lm/W
260W	120-277VAC/347/480V	36400lm	140lm/W	36400lm	140lm/W
360W	120-277VAC/347-480V	48500lm	135lm/W	48500lm	135lm/W
420W	120-277VAC/347-480V	60000lm	143lm/W	60000lm	143lm/W

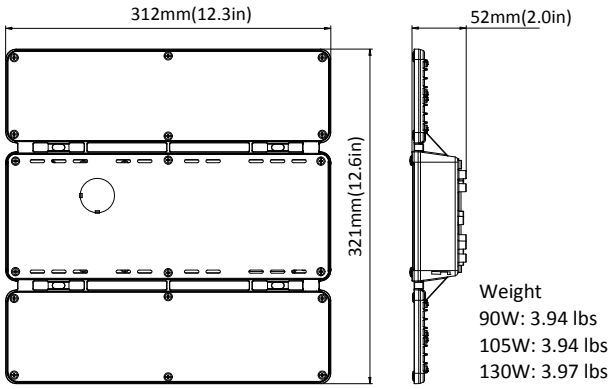
ELECTRICAL DATA

Number Of Drivers	Driver Current (mA)	Nominal Power (W)	INPUT VOLTAGE (V)	CURRENT (Amps)
1	2400	90	120	0.75
		90	208	0.43
		90	240	0.38
		90	277	0.32
		90	347	0.26
		90	480	0.19
1	2600	105	120	1.14
		105	208	1.98
		105	240	2.29
		105	277	2.64
		105	347	3.30
		105	480	4.57
1	1200	130	120	1.08
		130	208	0.63
		130	240	0.54
		130	277	0.47
		130	347	0.37
		130	480	0.27
2	4800	180	120	1.50
		180	208	0.87
		180	240	0.75
		180	277	0.65
		180	347	0.52
		180	480	0.38
2	5200	210	120	1.75
		210	208	1.01
		210	240	0.88
		210	277	0.76
		210	347	0.61
		210	480	0.44

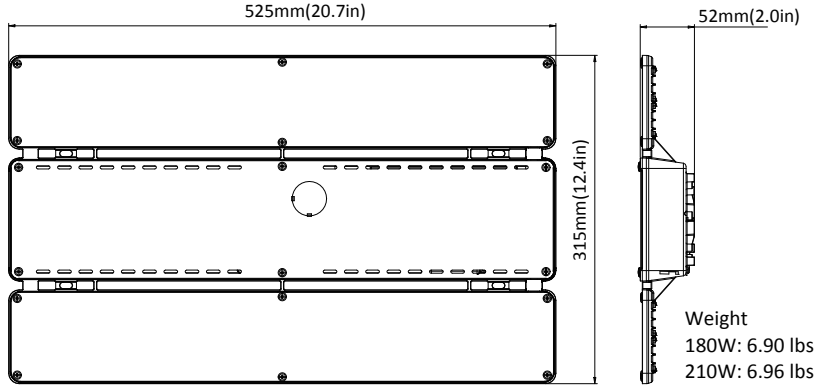
DIMENSION

unit: inch/mm

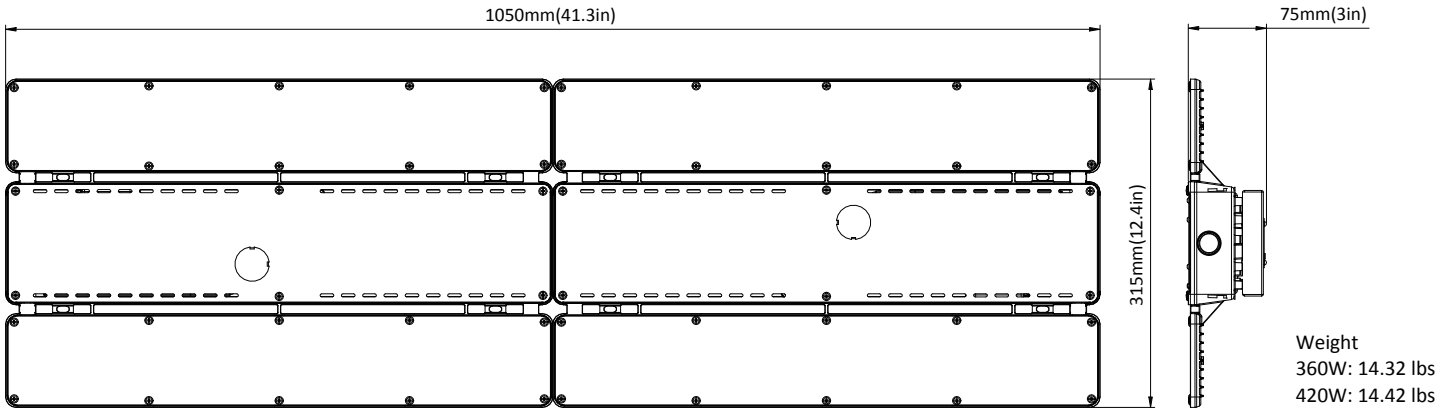
90W/105W/130W



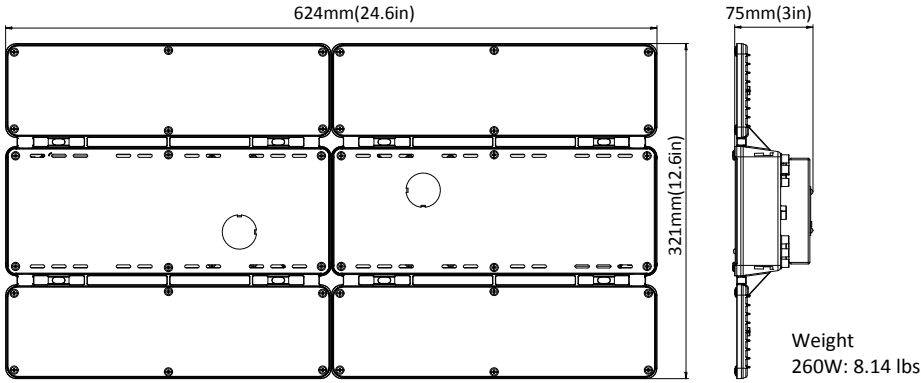
180W/210W



360W/420W

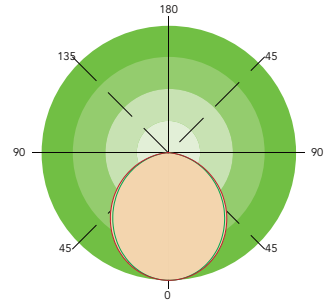


260W



PHOTOMETRICS

General



ORDERING GUIDE

Example: VMLH05130W27V50KMD

Fixture Type	Wattage	Voltage	CCT	Lens	Sensor (Option)	Backup Battery (Option)	Internal Code
<input type="checkbox"/>	<input type="checkbox"/>	<input type="checkbox"/>	<input type="checkbox"/>	<input type="checkbox"/>	<input type="checkbox"/>	<input type="checkbox"/>	<input type="checkbox"/>
VLH05 Linear high bay series	90W 105W 130W 180W 210W 260W 360W 420W	27V 120-277V 48V 347-480V	40K 4000K 50K 5000K	MD Medium Lens	M Motion Sensor Blank Without Sensor	B Emergency Battery Blank Without Emergency Battery	Blank Alphanumeric

Note: Emergency battery is not available while the voltage is 347-480V.