

LED LINEAR HIGH BAY(VLH04)

- Voltage is 120-277V & 347-480V.
- Optional prismatic diffuser reduces glare light toughly.
- Optional frosted diffuser delivers best light uniformity.
- Motion Sensor optional and supports Emergency Battery.
- Standard 1-10V dimming.
- Steel wire rope(default included), pendant or surface mounting available.
- Projected life span of 50,000 hrs.
- Operating temperature is -40°C to 55°C (-40°F to 131°F).



Applications:

Suitable for commercial, retail and institutional applications including gymnasiums, factories and warehouses.

90W&E130W



130W&180W&210W



L130W&L180W&L210W



270W&300W&370W



Housing

Advanced thermal management aluminum alloy with white coat finish. Suitable for pendant mount and sling mount.

Emergency Battery

90min, 900lm Provision of safe lighting.

Diffuser Panel

3 different type for choosing. Half-frosted diffuser for max lumens. Prismatic diffuser for least glare light. Frosted diffuser for best light uniformity.

Threaded Conduit

Support wires coming from the hole for easier wire connections.

Motion Sensor

Optional motion sensor allows for security and energy saving.



DIFFUSER OPTIONS



Half-frosted Diffuser (High efficacy)



Prismatic Diffuser (Low glare)



Frosted Diffuser (Soft light)

PERFORMANCE DATA

SYSTEM WATTS	VOLTAGE	LENS	4000K(CRI80)		5000K(CRI80)	
			LUMENS	LPW	LUMENS	LPW
90W	120-277VAC/347-480V	Half-frosted Diffuser	12600lm	140lm/W	12600lm	140lm/W
		Prismatic Diffuser	12000lm	133lm/W	12000lm	133lm/W
		Frosted Diffuser	11700lm	130lm/W	11700lm	130lm/W
E130W	120-277VAC/347-480V	Half-frosted Diffuser	18500lm	142lm/W	18500lm	142lm/W
		Prismatic Diffuser	17600lm	135lm/W	17600lm	135lm/W
		Frosted Diffuser	17200lm	132lm/W	17200lm	132lm/W
130W	120-277VAC/347-480V	Half-frosted Diffuser	18500lm	142lm/W	18500lm	142lm/W
		Prismatic Diffuser	17600lm	135lm/W	17600lm	135lm/W
		Frosted Diffuser	17200lm	132lm/W	17200lm	132lm/W
180W	120-277VAC/347-480V	Half-frosted Diffuser	25200lm	140lm/W	25200lm	140lm/W
		Prismatic Diffuser	24000lm	133lm/W	24000lm	133lm/W
		Frosted Diffuser	23400lm	130lm/W	23400lm	130lm/W
210W	120-277VAC/347-480V	Half-frosted Diffuser	29000lm	138lm/W	29000lm	138lm/W
		Prismatic Diffuser	27600lm	131lm/W	27600lm	131lm/W
		Frosted Diffuser	27000lm	129lm/W	27000lm	129lm/W
L130W	120-277VAC/347-480V	Half-frosted Diffuser	18500lm	142lm/W	18500lm	142lm/W
		Prismatic Diffuser	17600lm	135lm/W	17600lm	135lm/W
		Frosted Diffuser	17200lm	132lm/W	17200lm	132lm/W
L180W	120-277VAC/347-480V	Half-frosted Diffuser	24000lm	133lm/W	24000lm	133lm/W
		Prismatic Diffuser	22800lm	127lm/W	22800lm	127lm/W
		Frosted Diffuser	22300lm	124lm/W	22300lm	124lm/W
L210W	120-277VAC/347-480V	Half-frosted Diffuser	29000lm	138lm/W	29000lm	138lm/W
		Prismatic Diffuser	27600lm	131lm/W	27600lm	131lm/W
		Frosted Diffuser	27000lm	129lm/W	27000lm	129lm/W
270W	120-277VAC/347-480V	Half-frosted Diffuser	37000lm	137lm/W	37000lm	137lm/W
		Prismatic Diffuser	35200lm	130lm/W	35200lm	130lm/W
		Frosted Diffuser	34400lm	127lm/W	34400lm	127lm/W
300W	120-277VAC/347-480V	Half-frosted Diffuser	41500lm	138lm/W	41500lm	138lm/W
		Prismatic Diffuser	39400lm	131lm/W	39400lm	131lm/W
		Frosted Diffuser	38600lm	129lm/W	38600lm	129lm/W
370W	120-277VAC/347-480V	Half-frosted Diffuser	50500lm	136lm/W	50500lm	136lm/W
		Prismatic Diffuser	48000lm	130lm/W	48000lm	130lm/W
		Frosted Diffuser	47000lm	127lm/W	47000lm	127lm/W

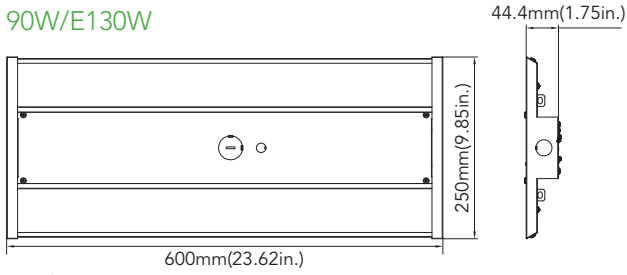
ELECTRICAL DATA

Number Of Drivers	Driver Current (mA)	Nominal Power (W)	INPUT VOLTAGE (V)	CURRENT (Amps)
1	2400	90	120	0.75
		90	208	0.43
		90	240	0.38
		90	277	0.32
		90	347	0.26
		90	480	0.19
2	3300	E130	120	1.08
		E130	208	0.63
		E130	240	0.54
		E130	277	0.47
	3200	E130	347	0.37
		E130	480	0.27
2	3300	130	120	1.08
		130	208	0.63
		130	240	0.54
		130	277	0.47
		130	347	0.37
		130	480	0.27
2	4800	180	120	1.50
		180	208	0.87
		180	240	0.75
		180	277	0.65
		180	347	0.52
		180	480	0.38
2	5200	210	120	1.75
		210	208	1.01
		210	240	0.88
		210	277	0.76
		210	347	0.61
		210	480	0.44
2	3000	130	120	1.08
		130	208	0.63
		130	240	0.54
		130	277	0.47
	3200	130	347	0.37
		130	480	0.27
2	4800	180	120	1.50
		180	208	0.87
		180	240	0.75
		180	277	0.65
		180	347	0.52
		180	480	0.38
4	6520	270	120	2.25
		270	208	1.30
		270	240	1.13
		270	277	0.97
	6400	270	347	0.78
		270	480	0.56
4	7200	300	120	2.50
		300	208	1.44
		300	240	1.25
		300	277	1.08
	7400	300	347	0.86
		300	480	0.63
4	9600	370	120	3.08
		370	208	1.78
		370	240	1.54
		370	277	1.34
		370	347	1.07
		370	480	0.77

DIMENSION

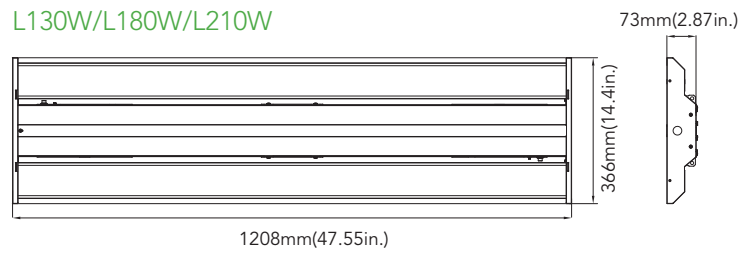
unit: inch/mm

90W/E130W



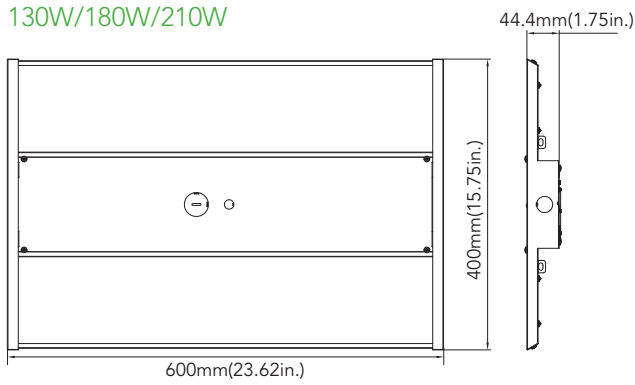
Weight
90W: 5.84 lbs
E130W: 7.32 lbs

L130W/L180W/L210W



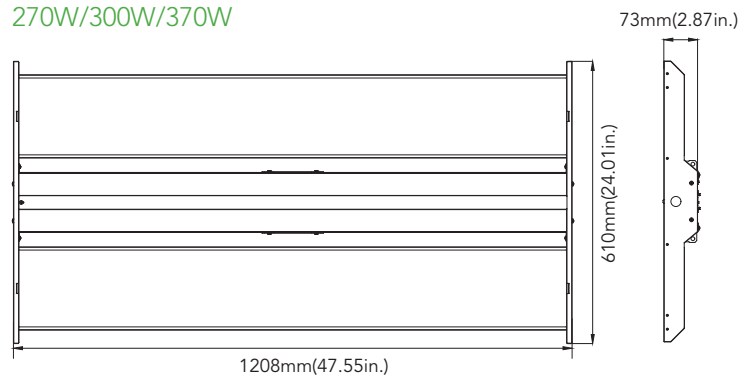
Weight
L130W: 13.91 lbs
L180W: 14.76 lbs
L210W: 15.12 lbs

130W/180W/210W



Weight
130W: 8.92 lbs
180W: 9.19 lbs
210W: 9.26 lbs

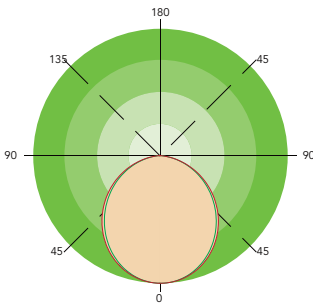
270W/300W/370W



Weight
270W: 22.46 lbs
300W: 22.49 lbs
370W: 22.50 lbs

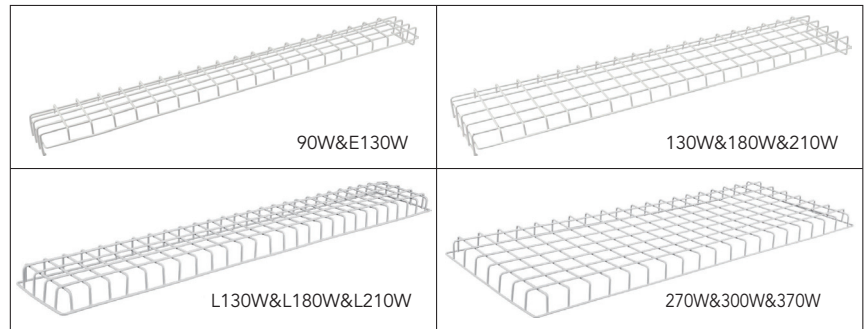
PHOTOMETRICS

General



ACCESSORY

Every fixture can be fitted with wire guard to avoid luminous surface being damaged.



ORDERING GUIDE

Example: MLH04130W27V50KCD

Fixture Type	Wattage	Voltage	CCT	Lens	Sensor (Option)	Backup Battery (Option)	Internal Code
VLH04 Linear high bay series	90 90W E130 E130W 130 130W 180 180W 210 210W L130 130W L180 180W L210 L210W 270 270W 300 300W 370 370W	27V 120-277V 48V 347-480V	40K 4000K 50K 5000K	CD Half-frosted Diffuser PD Prismatic Diffuser FD Frosted Diffuser	M Motion Sensor Blank Without Sensor	B Emergency Battery Blank Without Emergency Battery	Blank Alphanumeric

Note: 1. Emergency battery is not optional while the voltage is 347-480V.

2. 130W unable to configure emergency battery owing to limited internal space.