

# VLEDWPSN-PRM 35–120 Watt LED Wall Packs



## STANDARD



VLEDWPSN is a series of premium, rugged, durable LED wall packs, which are perfect for outdoor perimeter and area lighting. With a die cast aluminum housing and a polycarbonate lens, the VLEDWPSN will stand up to many years of punishing environmental conditions. High-efficacy, long-life LEDs provide both energy and maintenance cost savings compared to traditional, HID wall packs.

## FEATURES

- Available in 4000k (neutral white) and 5000k (cool white) color temperatures.\*
- Long-life LEDs provide 141,000 hours of operation with at least 70% of initial lumen output ( $L_{70}$ ).\*\*
- LEDWP35SN-PRM provides 4,632 lumens & 129 lumens per watt (LPW) at 4000k; or 4,726 lumens & 131 LPW at 5000k.\*
- LEDWP55SN-PRM provides 7,588 lumens & 133 LPW at 4000k; or 7,728 lumens & 136 LPW at 5000k.\*
- LEDWP80SN-PRM provides 9,486 lumens & 123 LPW at 4000k; or 9,680 lumens & 126 LPW at 5000k.\*
- LEDWP100SN-PRM provides 13,065 lumens & 129 LPW at 4000k; or 13,295 lumens & 132 LPW at 5000k.\*
- LEDWP120SN-PRM provides 15,523 lumens & 130 LPW at 4000k; or 15,787 lumens & 133 LPW at 5000k.\*
- Uniform illumination with no visible LED pixilation.
- Universal 120-277 AC voltage (50-60Hz) is standard.
- Power factor > 0.90.
- Total harmonic distortion < 20%.
- Color rendering index > 80.
- Die cast aluminum housing with dark bronze, powder coat paint.
- Polycarbonate lens with seamless, silicone gasket to prevent leaks. Polycarbonate has F1 rating to avoid discoloration.
- Internal bubble level facilitates level installation.
- Easy installation in new construction or retrofit.

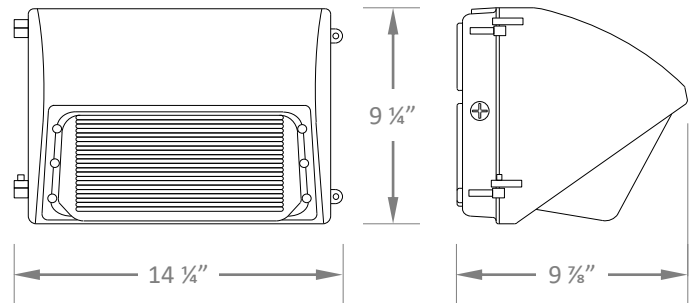
\* Contact factory for other color temperatures and lumen packages.  
\*\*  $L_{70}$  hours are IES TM-21-11 calculated hours.



## WARRANTY & LISTINGS

- cULus listed for wet locations (-20°C to 45°C / -4°F to 113°F).
- IP65 rated.
- DLC premium approved.
- Complies with FCC Part 15 class B.
- Complies with EN61000-4-5, surge immunity (minimum 2kV).
- 5-year warranty on all electronics and housing.

## DIMENSIONS



	40W	60W	80W	100W	120W
Weight (lbs.)	7.0	7.3	8.0	8.3	8.3

## ORDERING INFORMATION

Model	Color Temperature	Luminaire Lumens	Luminaire Watts	Lumens Per Watt
VLEDWP35SN	4K-PRM = 4000k	4,632	36	129
	5K-PRM = 5000k	4,726	36	131
VLEDWP55SN	4K-PRM = 4000k	7,588	57	133
	5K-PRM = 5000k	7,728	57	136
VLEDWP80SN	4K-PRM = 4000k	9,486	77	123
	5K-PRM = 5000k	9,680	77	126
VLEDWP100SN	4K-PRM = 4000k	13,065	101	129
	5K-PRM = 5000k	13,295	101	132
VLEDWP120SN	4K-PRM = 4000k	15,523	119	130
	5K-PRM = 5000k	15,787	119	133

# VLEDWPSN-PRM 35-120 Watt LED Wall Packs

## ELECTRICAL

Model	Color Temperature	CRI <sub>1</sub>	Luminaire Lumens	Luminaire Watts	Lumens Per Watt	Input Voltage <sup>2</sup>	Input Current (A)			Power Factor	THD <sup>3</sup>	L <sub>70</sub> Hours <sup>4</sup>
							120V	240V	277V			
VLEDWP35SN-4K-PRM	4000k	> 80	4,632	36	129	120-277	0.30	0.15	0.13	> 90%	< 20%	141,000
VLEDWP35SN-5K-PRM	5000k	> 80	4,726	36	131	120-277	0.30	0.15	0.13	> 90%	< 20%	141,000
VLEDWP55SN-4K-PRM	4000k	> 80	7,588	57	133	120-277	0.48	0.24	0.21	> 90%	< 20%	141,000
VLEDWP55SN-5K-PRM	5000k	> 80	7,728	57	136	120-277	0.48	0.24	0.21	> 90%	< 20%	141,000
VLEDWP80SN-4K-PRM	4000k	> 80	9,486	77	123	120-277	0.64	0.32	0.28	> 90%	< 20%	141,000
VLEDWP80SN-5K-PRM	5000k	> 80	9,680	77	126	120-277	0.64	0.32	0.28	> 90%	< 20%	141,000
VLEDWP100SN-4K-PRM	4000k	> 80	13,065	101	129	120-277	0.84	0.42	0.36	> 90%	< 20%	141,000
VLEDWP100SN-5K-PRM	5000k	> 80	13,295	101	132	120-277	0.84	0.42	0.36	> 90%	< 20%	141,000
VLEDWP120SN-4K-PRM	4000k	> 80	15,523	119	130	120-277	0.99	0.50	0.43	> 90%	< 20%	141,000
VLEDWP120SN-5K-PRM	5000k	> 80	15,787	119	133	120-277	0.99	0.50	0.43	> 90%	< 20%	141,000

<sup>1</sup> Color rendering index.

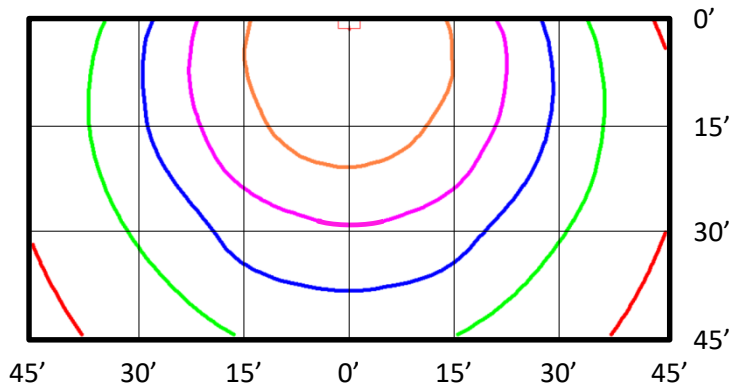
<sup>2</sup> All 50-60Hz.

<sup>3</sup> Total harmonic distortion.

<sup>4</sup> L<sub>70</sub> refers to the number of hours at which lumen output declines to 70% of the initial level. L<sub>70</sub> hours are IES TM-21-11 calculated hours.

## PHOTOMETRIC DATA

### VLEDWP120SN-5K-PRM (15,787 Lumens)



#### Notes:

- Isofootcandle plots depict initial footcandles at grade.
- Gridlines represent units of mounting height of 15 feet.

#### Foot Candles



### BUG Rating: B3-U4-G5

Zone	Lumens	%
FL - Front - Low (0-30)	1,959	12%
FM - Front - Medium (30-60)	4,728	30%
FH - Front - High (60-80)	2,963	19%
FVH - Front - Very High (80-90)	953	6%
<b>Total Forward Light</b>	<b>10,603</b>	<b>67%</b>
BL - Back - Low (0-30)	1,577	10%
BM - Back - Medium (30-60)	1,907	12%
BH - Back - High (60-80)	482	3%
BVH - Back - Very High (80-90)	74	0%
<b>Total Back Light</b>	<b>4,041</b>	<b>26%</b>
UL - Up Light - Low (90-100)	594	4%
UH - Up Light - High (100-180)	549	3%
<b>Total Up Light</b>	<b>1,143</b>	<b>7%</b>
<b>Total Lumens</b>	<b>15,787</b>	<b>100%</b>