

VLEDMCL

VLEDMCL N-Series

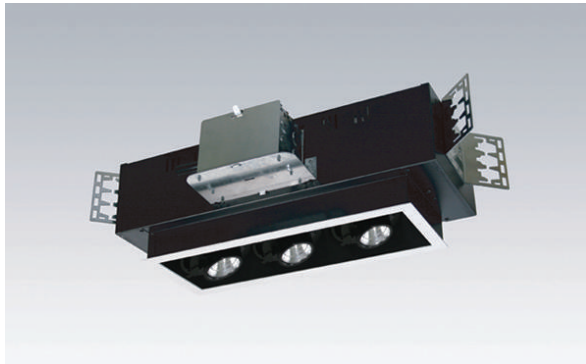
Multiple Cluster 120V or 277V LED Recessed Downlights



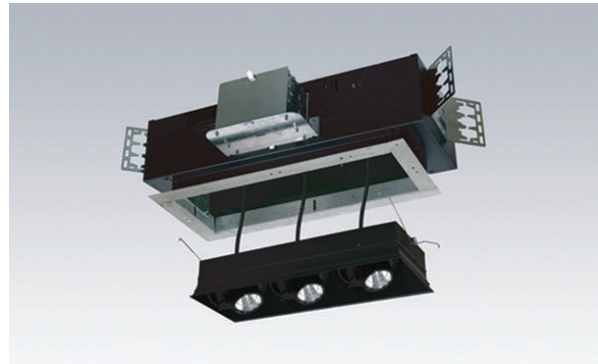
1, 2, 3 or 4 lights 15W & 20W LED

ACCENT MULTIPLE LIGHTS WITH HIGH WATTAGE LED MODULES

Dimmable



■ 0.75" Trim Flange



■ Trimless

Finish: ■ Black
■ Silver
□ White

DESCRIPTION

The N-Series of Multiple Cluster, LED Recessed Downlights are part of the MCL family and are designed with state-of-the-art LED and driver technology. All of the LEDMCL models feature high end, Architectural Spec quality with the energy efficiency and all the advantages of a LED source. The N-series are for new construction and are offered in 1 to 4 lamp versions. Equivalent to MCL PAR20 / MR16 size housings.

DESIGN FEATURES

Housing

- Non-IC rated new construction housing available in single lamp through 4 lamps models
- Designed for easy accessibility from below ceiling.

Trim

- Aluminum diecast, powder coated trim with 0.75" overlap flange around the ceiling opening.

Trimless

- Adjustable perforated mesh for Trimless Drywall Mud Framing in drywall/plaster ceilings. Allows for mud compound to be applied for a clean, trimless look.

Junction Box

- Listed, through branch circuit wiring
[max.8 No 12AWG 90°C Branch circuit conductors (4in, 4out)]

Thermal Protector

- Dedicated 120V and 277V Self-Resetting thermal sensors on J-box deactivates fixture if overheating occurs due to electrical issues, improper insulation, and/or high ambient temperatures.

LED Engine

- 1, 2, 3 or 4, 15W and 20W LED heads with 80 CRI in 3000K, 3500K and 4000K color temperatures. Mounted on a heat sink and adjustable up to 45° (length) x 45° (width) and lockable into positions in multiple directions.

LED Driver

- High efficiency driver with +90% power factor for universal 120V-277V, 60Hz, 0-10V dimmable driver. Installed on junction box door for easy access from below ceiling. Meets UL class 2, FCC47CFR class B.

Mounting

- Designed for new construction mounting with channel bracket kit, provides 5" vertical adjustments and accommodates 1/2" EMT conduit. Options include HB-24 and HBC-24 bar hangers or lathing channels for T-bar grid or concealed spline ceilings.

Limited Warranty

- LED Module: 5 years/50K hours
- Product/Driver: 3 years

Listing

- cCSAus Damp Location

VLEDMCL

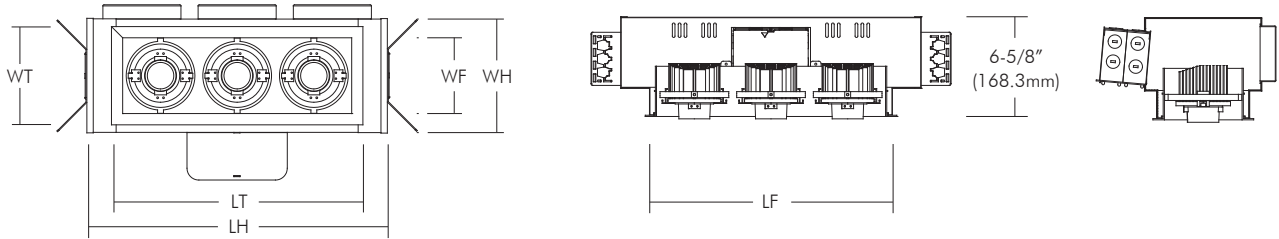
VLEDMCL N-Series

Multiple Cluster 120V or 277V LED Recessed Downlights

1, 2, 3 or 4 lights 15W & 20W LED

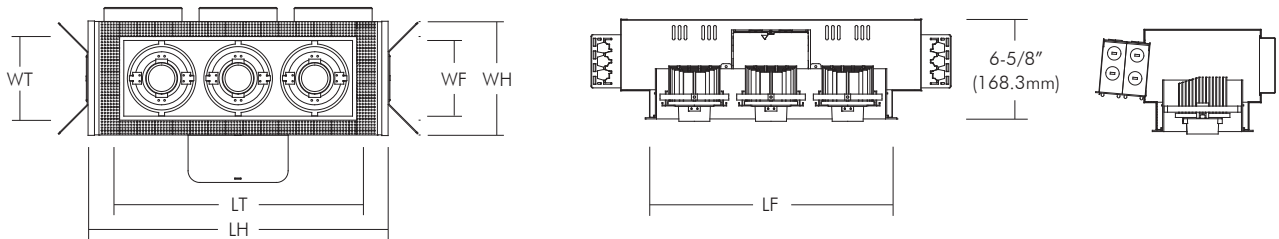
ACCENT MULTIPLE LIGHTS WITH HIGH WATTAGE LED MODULES

0.75" Trim Flange Dimension



No. of Lamps	Housing WH(Length) x LH(Width)	Trim WT(Length) x LT(Width)	Frame Opening WF(Length) x LF(Width)	Ceiling Cut-Out WC(Length) x LC(Width)
1LN	7-9/16" X 7-5/8" (192.5mm X 193.1mm)	6-9/16" X 6-9/16" (166.5mm X 166.5mm)	6-1/16" X 6-1/16" (154mm X 154mm)	6-1/4" X 6-1/4" (158.8mm X 158.8mm)
2LN	7-9/16" X 13-1/8" (192.5mm X 332.6mm)	6-9/16" X 11-11/16" (166.5mm X 296.5mm)	6-1/16" X 11-3/16" (154mm X 284mm)	6-1/4" X 11-3/8" (158.8mm X 288.9mm)
3LN	7-9/16" X 20-1/8" (192.5mm X 510.6mm)	6-9/16" X 16-13/16" (166.5mm X 426.5mm)	6-1/16" X 16-5/16" (154mm X 414mm)	6-1/4" X 16-1/2" (158.8mm X 419.1mm)
4LN	7-9/16" X 27-1/8" (192.5mm X 688.6mm)	6-9/16" X 21-15/16" (166.5mm X 556.5mm)	6-1/16" X 21-7/16" (154mm X 544mm)	6-1/4" X 21-5/8" (158.8mm X 549.3mm)

Trimless Dimension



No. of Lamps	Housing WH(Length) x LH(Width)	Trim WT(Length) x LT(Width)	Frame Opening WF(Length) x LF(Width)	Ceiling Cut-Out WC(Length) x LC(Width)
1LN	7-9/16" X 7-5/8" (192.5mm X 193.1mm)	5-9/16" X 5-11/16" (142mm X 144mm)	6-1/16" X 6-1/16" (154mm X 154mm)	6-1/4" X 6-1/4" (158.8mm X 158.8mm)
2LN	7-9/16" X 13-1/8" (192.5mm X 332.6mm)	5-9/16" X 10-13/16" (142mm X 274mm)	6-1/16" X 11-3/16" (154mm X 284mm)	6-1/4" X 11-3/8" (158.8mm X 288.9mm)
3LN	7-9/16" X 20-1/8" (192.5mm X 510.6mm)	5-9/16" X 15-7/8" (142mm X 403mm)	6-1/16" X 16-5/16" (154mm X 414mm)	6-1/4" X 16-1/2" (158.8mm X 419.1mm)
4LN	7-9/16" X 27-1/8" (192.5mm X 688.6mm)	5-9/16" X 21" (142mm X 533mm)	6-1/16" X 21-7/16" (154mm X 544mm)	6-1/4" X 21-5/8" (158.8mm X 549.3mm)

VLEDMCL

VLEDMCL[®] N-Series

Multiple Cluster 120V or 277V LED Recessed Downlights

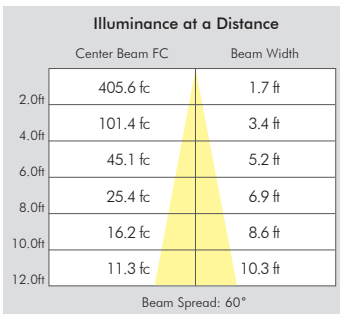
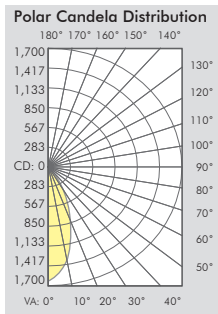
1, 2, 3 or 4 lights 15W & 20W LED

ACCENT MULTIPLE LIGHTS WITH HIGH WATTAGE LED MODULES

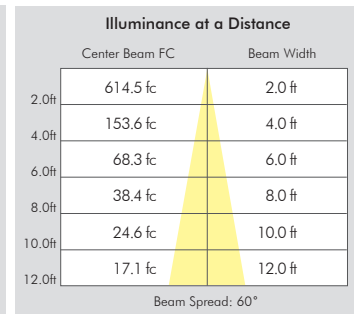
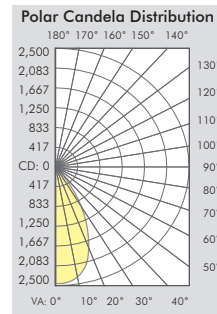
Specification		Wattage (+/-5%)	Type	Lumen (+/-5%)	Efficacy LPW (+/-5%)	Beam Angle	CRI (Typical)	LED Quantity	Color (+/-5%)	Lamp Life	Input Voltage
15W	15.0	N	1,067	71.1	28°	80	1EA (COB)	3000K	50,000hr	120-277V	
	14.9	M	1,050	70.5	36°			3500K			
	14.9	W	1,075	72.2	60°			4000K			
20W	22.6	N	1,997	88.4	28°	80	1EA (COB)	3000K	50,000hr	120-277V	
	22.4	M	1,917	85.6	36°			3500K			
	22.4	W	1,926	86.0	60°			4000K			

PHOTOMETRIC REPORT

* Contact Factory for IES File



[VLEDMCL-15W-Wide]



[VLEDMCL-20W-Wide]

Ordering Information

Model	-No. of LED Heads	-Watts	-Color Temp.*	Driver (0-10V)/ Thermal Protector	Beam Angle	Trim Insert	-Trim Interior Finish*	-Option
VLEDMCL = 120V or 277V LED Multiple Cluster Recessed Downlight	-1LN = (1) Light -2LN = (2) Light -3LN = (3) Light -4LN = (4) Light	-15 = 15W -20 = 20W	-30 = 3000K -35 = 3500K -40 = 4000K	ZTD1 = 120VAC ZTD2 = 277VAC	N = Narrow 28° M = Medium 36° W = Wide 60°	OL = 0.75" Trim Flange TL = Trimless	-WW = White with White Flange -BW = Black with White Flange -SW = Silver with White Flange	-SNT = Snoot -LVR = Louver -HCL = Hex Cell Louver -LSN = Linear Spread Lens -LNS = UV Lens -ML = Milk White Lens

Example : VLEDMCL-1LN-15-30ZTD1M

OL-BW-SNT

* Consult factory for other Color Temperatures and Finishes