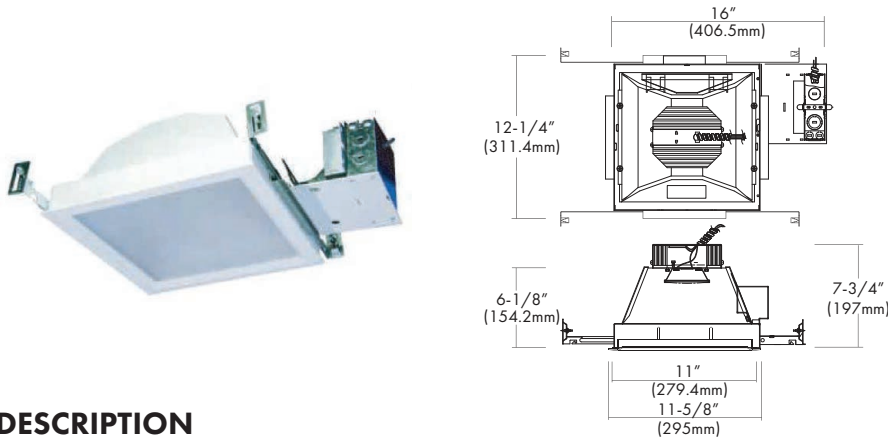


VLEDH-S11

11" Square Housing



11" LED-SQUARE



SPECIFICATION			
Input Voltage	120-277VAC		
Wattage (+/-5%)	14 W	23W	30W 45W
Lumen (+/-5%)	785lm	1,290lm	1,682lm 2,523lm
CCT (Color +/-5%)	2700K, 3000K, 3500K, 4000K		
Dimming	Triac (Standard), 0-10V		
LED Module	5 yr/50K hr		
Environment	Wet Location		

DESCRIPTION

11" Square LED downlight with integral driver and LED module. It is designed for use in non-insulated ceilings or insulated ceilings. Insulation must be kept 3" away from all sides of the housing.

DESIGN FEATURES

Housing

- Galvanized steel housing, white painted.
- 5-15/16" height allows to use in 2" x 6" joist construction.
- Housing adjusts for ceilings up to 1-1/4" thick.

Mounting Frame

- Galvanized steel construction.

Junction Box

- Listed for through branch circuit wiring. (Max.8 No 12 AWG 90°C branch circuit conductors. (4 in, 4 out))
- (5) 1/2" knockouts with true pry-out slots and (4) knockouts with Romex cable clamp.
- Ground wire provided on J-box.

Bar Hangers

- Maximum extension by 24" allows excess distance between joists.
- Housing can be positioned at any point within 24" joist span.
- Score lines allow "toolless" shortening for 12" joists. Bar hangers may be repositioned 90 degrees.
- Integral T-bar clips snaps onto T-bars and no additional clips are required.

LED Power Supply

- Universal, 120~277V input, high efficacy drivers with dimming capability by ① a Triac 120V low voltage electronic dimmer switches or ② 0-10V, Triac & ELV dimmer switches.
- Drivers feature power factor >.90, THD <20% with integral thermal protection to sense over temperature or electrical issues.
- Driver mounts externally to the module to allow future replacement or upgrading if desired.
- Optional Lutron Hi-lume A-Series, LED drivers and EcoSystem 5-Series LED drivers are available. Lutron drivers provide flicker-free, smooth, continuous dimming down to 1% for Hi-lume and 5% for EcoSystem. (Contact factory for dimming system requirements)

Trim

- Steel white painted square trim with acrylic or glass lens.

Listing

- ETL listed for wet location.

Ordering Information

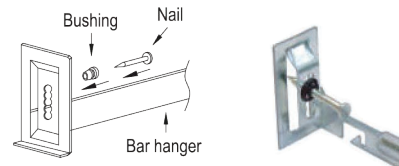
Housing	-Watts	Color Temp.*	Driver
VLEDH-S11	-14 = 14W	27 = 2700K	UTD = 120-277VAC, Triac: 10-100% Dimming (14, 23 & 30W only)
	-23 = 23W	30 = 3000K	
	-30 = 30W	35 = 3500K	UZTD = 120-277V, 0-10V, Triac & ELV: 1-100% Dimming
	-45 = 45W	40 = 4000K	
			L1D = Lutron Hi-lume 1% Dimming
			L5D = Lutron EcoSystem 5% Dimming

Trim
QT-1135-WH

Ceiling Cut-out: 11-1/4" x 11-1/4"

• Just-A-Nail

Adjustable nail hanger bar for easy alignment.



JUST-A-NAIL

- Pre-installed nail bars with vertical slots are used to evenly align the bars horizontally after nailing halfway into wood joists.

• Optional "Quick Connect" Push-in wire connectors.

- Three "Quick Connectors"
- Pre-installed push-in wire connectors for fast and easy wiring.

Trims



White Square Trim
w/ Acrylic Lens
Frame: 11-5/8" x 11-5/8"

QT-1135-WH

Example: VLEDH-S11-23-30-UTD

QT-1135-WH

* Consult factory for other Color Temperatures and Finishes