



## 5050-7.2w-12V series



The 5050 7.2 watt series raises the bar for LED lighting. Its thick PCB board and high quality SMD 5050 chips will ensure its long life and bright. It is highly versatile, dimmable and suitable for both lighting and accenting. Available in a variety of voltages and color temperatures. Bring out the true color of your spaces with CRI 80+ LED chips. Deliver all the versatility of LEDStrip with the same quality light as traditional lamps.

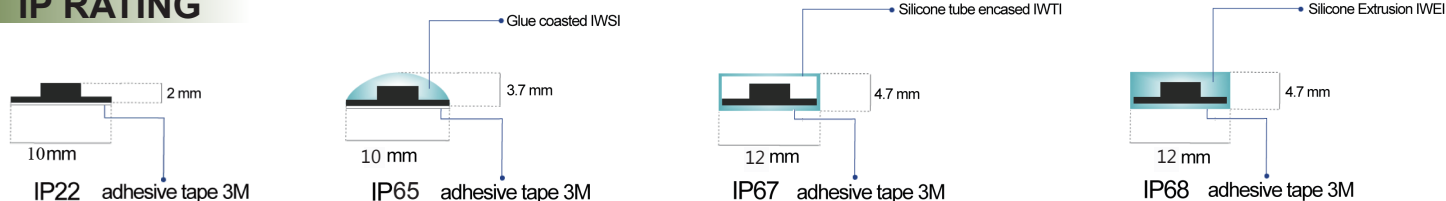
## Product Specifications

ITEM	Nominal CCT/WL	Lumen Output	CRI	SDCM	IP Grade	Input Voltage	Cuttable Segments	Reel Length
VL-FP10AGHDJ-30A24K	2400K	540LM	80+	<5	IP22	12V DC	4 in (100 mm)	16.4ft / 5M
VL-FP10AGHDJ-30A27K	2700K	540LM	80+	<5	IP22	12V DC	4 in (100 mm)	16.4ft / 5M
VL-FP10AGHDJ-30A30K	3000K	600LM	80+	<5	IP22	12V DC	4 in (100 mm)	16.4ft / 5M
VL-FP10AGHDJ-30A35K	3500K	600LM	80+	<5	IP22	12V DC	4 in (100 mm)	16.4ft / 5M
VL-FP10AGHDJ-30A40K	4000K	660LM	80+	<5	IP22	12V DC	4 in (100 mm)	16.4ft / 5M
VL-FP10AGHDJ-30A50K	5000K	660LM	80+	<5	IP22	12V DC	4 in (100 mm)	16.4ft / 5M
VL-FP10AGHDJ-30A60K	6000K	660LM	80+	<5	IP22	12V DC	4 in (100 mm)	16.4ft / 5M
VL-FP10AGHWK-30A24K	2400K	540LM	80+	<5	IP65	12V DC	4 in (100 mm)	16.4ft / 5M
BLL-FP10AGHWK-30A27K	2700K	540LM	80+	<5	IP65	12V DC	4 in (100 mm)	16.4ft / 5M
BLL-FP10AGHWK-30A30K	3000K	600LM	80+	<5	IP65	12V DC	4 in (100 mm)	16.4ft / 5M
BLL-FP10AGHWK-30A35K	3500K	600LM	80+	<5	IP65	12V DC	4 in (100 mm)	16.4ft / 5M
BLL-FP10AGHWK-30A40K	4000K	660LM	80+	<5	IP65	12V DC	4 in (100 mm)	16.4ft / 5M
BLL-FP10AGHWK-30A50K	5000K	660LM	80+	<5	IP65	12V DC	4 in (100 mm)	16.4ft / 5M
BLL-FP10AGHWK-30A60K	6000K	660LM	80+	<5	IP65	12V DC	4 in (100 mm)	16.4ft / 5M
VL-FP10AGHWM-30A24K	2400K	540LM	80+	<5	IP67	12V DC	4 in (100 mm)	16.4ft / 5M
VL-FP10AGHWM-30A27K	2700K	540LM	80+	<5	IP67	12V DC	4 in (100 mm)	16.4ft / 5M
VL-FP10AGHWM-30A30K	3000K	600LM	80+	<5	IP67	12V DC	4 in (100 mm)	16.4ft / 5M
VL-FP10AGHWM-30A35K	3500K	600LM	80+	<5	IP67	12V DC	4 in (100 mm)	16.4ft / 5M
VL-FP10AGHWM-30A40K	4000K	660LM	80+	<5	IP67	12V DC	4 in (100 mm)	16.4ft / 5M
VL-FP10AGHWM-30A50K	5000K	660LM	80+	<5	IP67	12V DC	4 in (100 mm)	16.4ft / 5M
VL-FP10AGHWM-30A60K	6000K	660LM	80+	<5	IP67	12V DC	4 in (100 mm)	16.4ft / 5M
VL-FP10AGHWN-30A24K	2400K	540LM	80+	<5	IP68	12V DC	4 in (100 mm)	16.4ft / 5M
VL-FP10AGHWN-30A27K	2700K	540LM	80+	<5	IP68	12V DC	4 in (100 mm)	16.4ft / 5M
VL-FP10AGHWN-30A30K	3000K	600LM	80+	<5	IP68	12V DC	4 in (100 mm)	16.4ft / 5M
VL-FP10AGHWN-30A35K	3500K	600LM	80+	<5	IP68	12V DC	4 in (100 mm)	16.4ft / 5M
VL-FP10AGHWN-30A40K	4000K	660LM	80+	<5	IP68	12V DC	4 in (100 mm)	16.4ft / 5M
VL-FP10AGHWN-30A50K	5000K	660LM	80+	<5	IP68	12V DC	4 in (100 mm)	16.4ft / 5M
VLL-FP10AGHWN-30A60K	6000K	660LM	80+	<5	IP68	12V DC	4 in (100 mm)	16.4ft / 5M

- Limiting Control Method: CV - Constant Voltage
- Power Consumption: 2.40W/FT
- Beam Angle: 120°
- LED Density: 10LEDs/ft / 30LEDs/m
- Dimming: Dmx PWM, RF PWM, 0-10V, MLV Incandescent

- Operating Temperature: -20°F to 120°F
- Mounting Non-Porous: 3M double sided Tape
- Board Type/Color: 2oz Density, White PCB
- Luminous Flux maintenance: 50,000 hrs
- Segment Width: 0.39 in (10 mm)

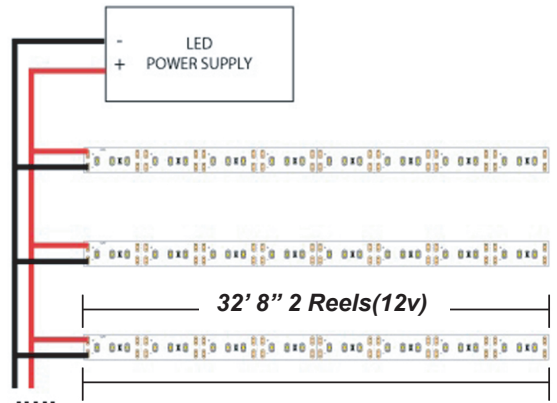
## IP RATING



# 5050-7.2W-12V series

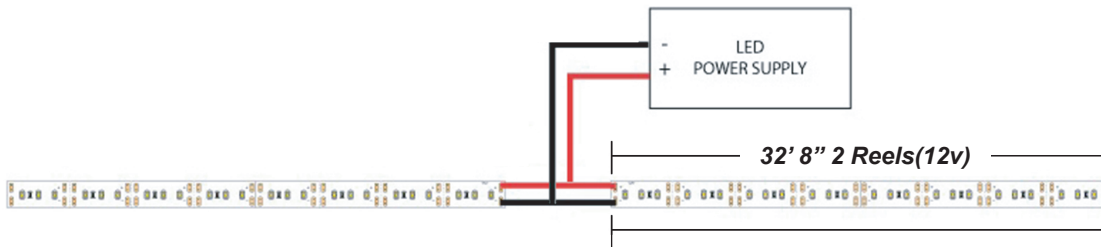
## Parallel Connection Guide

Parallel connections are strongly recommended for LED Strip installation. It is important to not go over the recommended length. The LED Strip will start to dim after the recommended length and will damage the Strip over time.



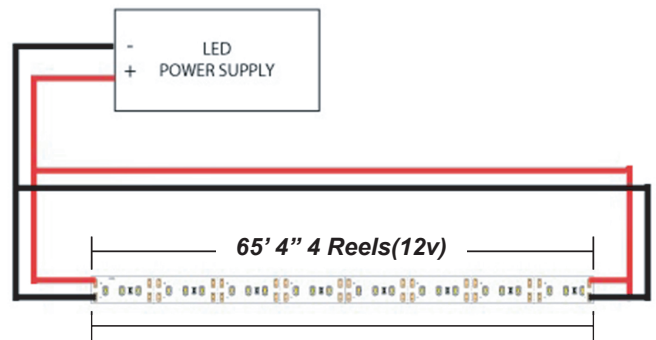
## Parallel Connection Guide

Middle connections are parallel connections that are used to create a longer singular line of LED Strip to prevent dimming a wire can be connected to the middle of the Strip.

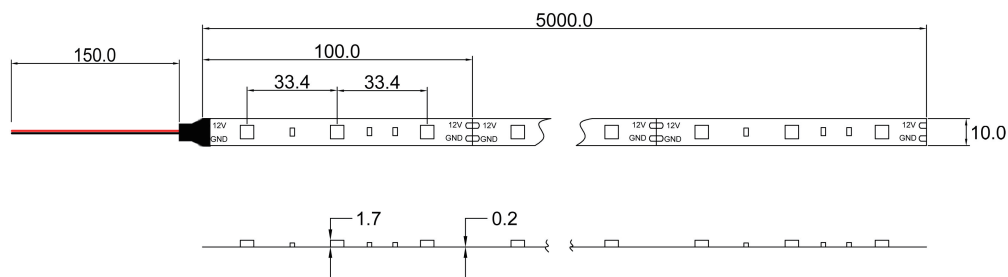


## Double End Connection Guide

LED Strip can also be powered from both sides. This will double the length of the Max Run for your installation. Also two same power supplies can be used at each end to power the LED Strip.



## Mechanical Dimensions



Unit:mm