

First UL certified UVC safety system in China

Key safety features:

This safety system will only turn on the UVC lamp, when all the switches & locks are turned on in order of S1-S2-S3; no one should be missed or disordered.

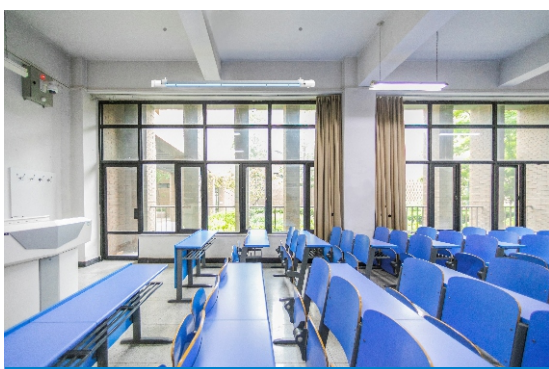
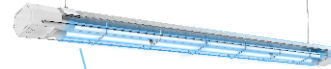
Applications:

Classrooms/Diningrooms/Playrooms/Offices/Dormitories/Rest rooms and so on, any places needed to be disinfected.

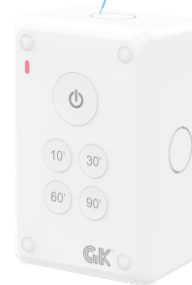
S2 magnetic switch (on the door)



UVC light



S3 admin lock (outside the room)



S1 main switch (inside the room)

Specifications

Model No.	Components	Input Voltage	Input current	Operating Temperature	Dimension	Wiring hole	Lifespan	Color	Material
VKL32-01	S1 main switch	100-120V	<10A	-10~45°C	77*120*52mm	1/2 inch	100,000H	White	PC
	S2 magnetic door switch	/	/	-10~45°C	16*16*105mm	/	100,000H	Silver	Aluminium Alloy
	S3 admin lock	100-120V	<10A	-10~45°C	77*120*52mm	1/2 inch	100,000H	White	PC

Operating process



After checking and confirming there is nobody in the room, turn on S1 or set a timer for disinfection you want.



Leave the room and close the door. S2 turned on.



Unlock S3 admin lock, with the mechanical key.

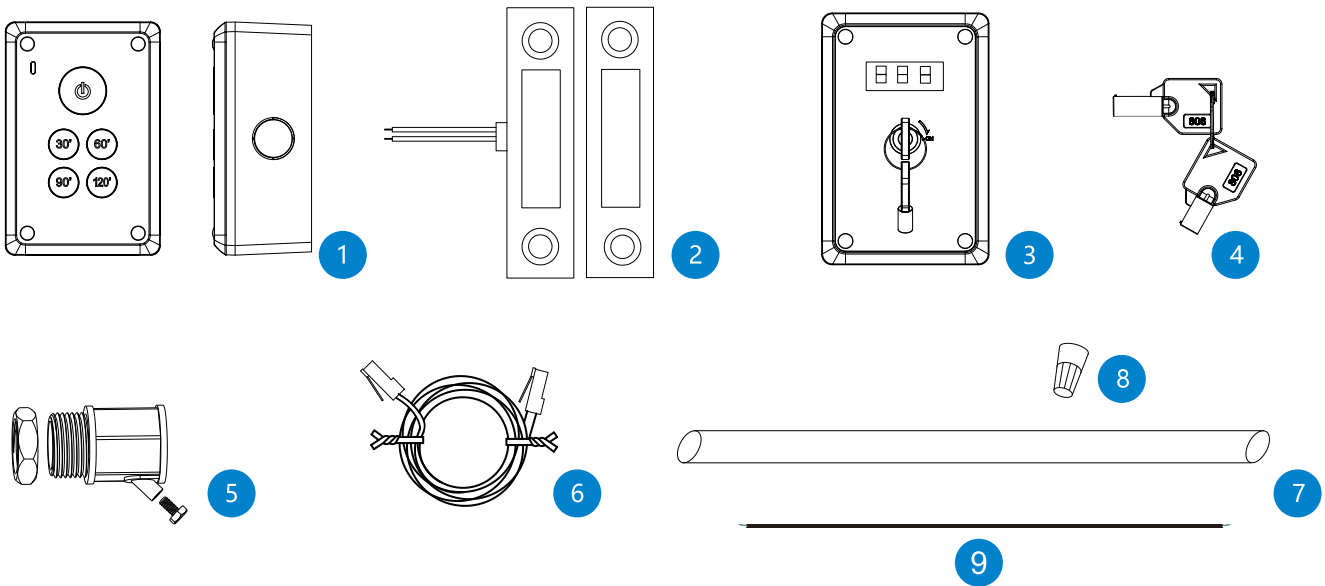




The system will turn on the UVC lamp and start the disinfection; When there is some one open the door & enter the room, S2 will be turned of, disinfection stopped



What's in the box



NO.	Items	Function	Provider
1	S1 main switch	Installed inside the room, and with timers	Manufacturer
2	S2 magnetic door switch	Installed outside the room, and turned on by the KEY	Manufacturer
3	S3 admin lock	Turn on the S3 switch	Manufacturer
4	key	Installed on the door	Manufacturer
5	Conduit Joint Fittings	1/2 inch	Buy at local
6	Cable	Connect S1 with S3, use the RJ45 port, and the length depends on the application scenario	Buy at local
7	Conduit	1/2 inch	Buy at local
8	Wire Nuts	Suitable for the size and number for wirings	Buy at local
9	Wire	18AWG Wire (L:Black, N:White, G:Green)	Buy at local