

VHCD Series

4, 6 and 8" Commercial Downlight



ValueEngineeredLighting
ARCHITECTURAL LIGHTING PRODUCTS

DESCRIPTION

Introducing our Modular Commercial Downlight, a blend of style and innovation. Its light module and reflector module design offer flexibility and efficiency. With aluminum heatsink light modules and can-less installation, it's both sleek and practical. Designed for wet locations and air-tight for superior performance. Adjust the beam angle from 24 to 45 degrees and choose from 5 CCT options for personalized lighting. UGR<19 and 30-degree cut-off minimize glare. High CRI of 90 ensures true color representation. Select from 3 lumen outputs, and enjoy universal voltage input and 0-10V dimming. Experience quiet illumination with noise levels below 24dB. Elevate your space with our versatile Modular Commercial Downlight.



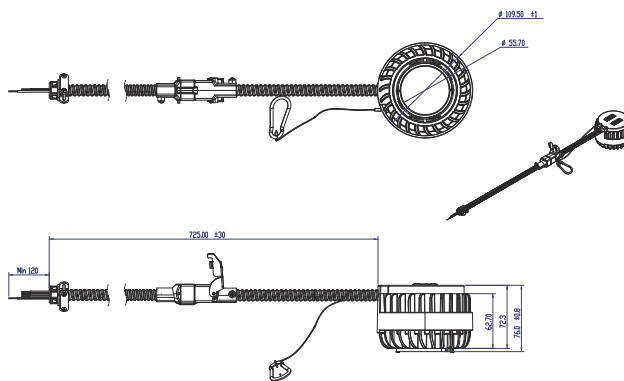
- Select color temperature from
- 2700K WARM WHITE
 - 3000K SOFT WHITE
 - 3500K NATURAL WHITE
 - 4000K COOL WHITE
 - 5000K DAYLIGHT



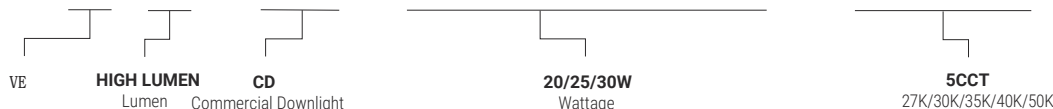
Product Information

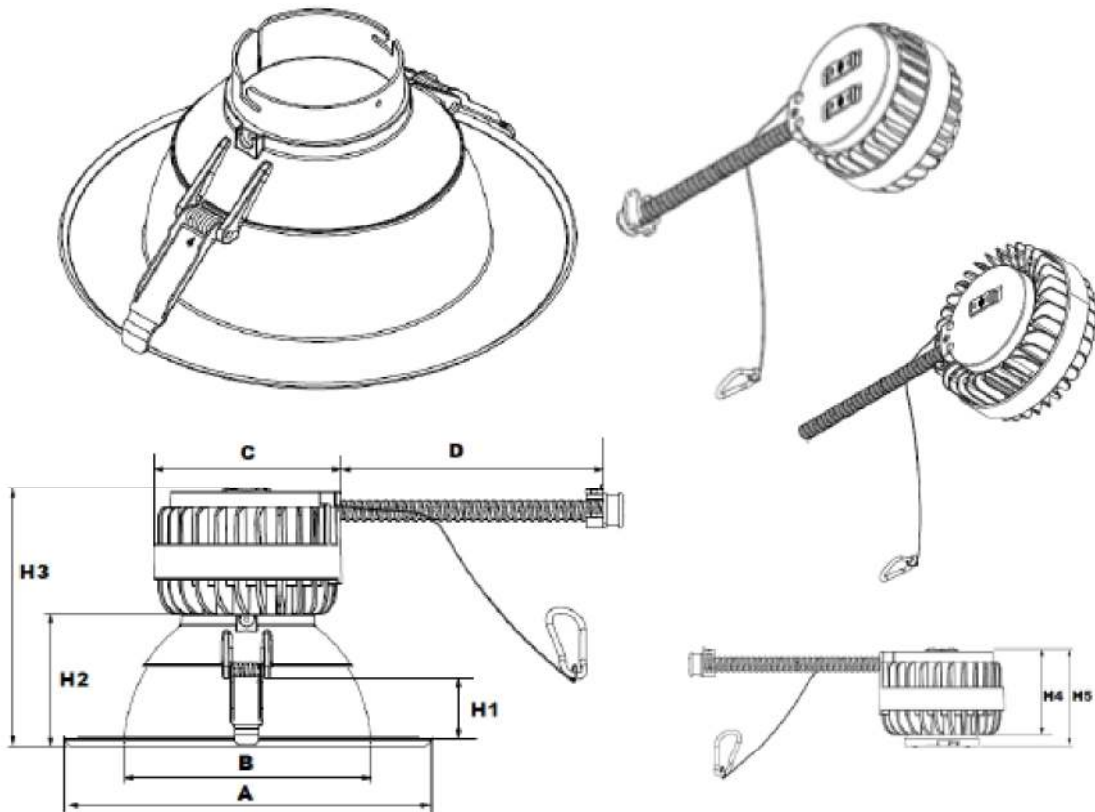
Model No.	Product Name	Lumens	Watts	Efficacy	CRI	VOLTAGE	DIMMING	CCT	LIFE
VHCD-20/25/30w-5CCT	Commercial down light module	1500/1800/2100LM	20/25/30W	75/72/70m/w	90	120-277V	0-10V	27/30/35/40/50K	>50,000hrs
VHCD-32/42/55W-35K	Commercial down light module	3000/4000/5000LM	32/42/55W	94/95/91lm/w	90	120-277V	0-10V	3500K	>50,000hrs
VHCD-4-HZ/WH	4" reflector	N/A	N/A	N/A	N/A	N/A	N/A	N/A	N/A
VHCD-6-HZ/WH	6" reflector	N/A	N/A	N/A	N/A	N/A	N/A	N/A	N/A
VHCD-8-HZ/WH	8" reflector	N/A	N/A	N/A	N/A	N/A	N/A	N/A	N/A
VHCD-10-HZ/WH	10" reflector	N/A	N/A	N/A	N/A	N/A	N/A	N/A	N/A

DIMENSIONS



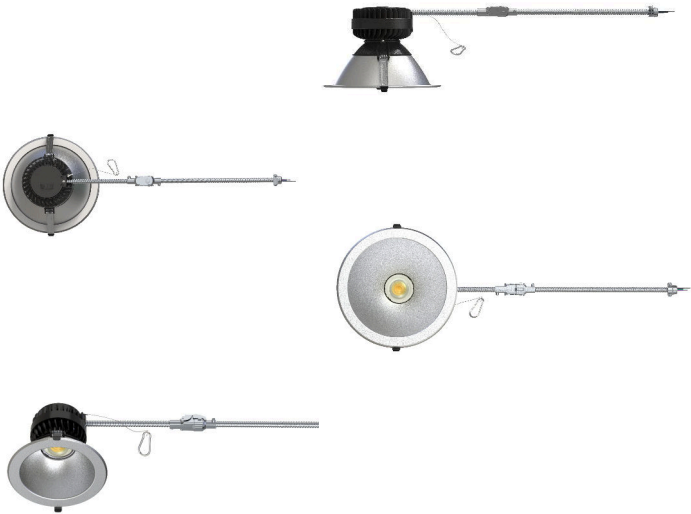
V H CD - 20/25/30W - 5CCT





Light Module	M40 Module (Smaller one)				M60 Module (Bigger one)		
Reflector	4in	6in	8in	10in	6in	8in	10in
A (Overall Trim Diameter)	6.0"	7.5"	9.1"	11.8"	7.5"	9.1"	11.8"
B (Aperture Diameter)	4.15"	5.65"	7.25"	8.23"	5.65"	7.25"	8.23"
C (Overall Module)	4.35"				5.55"		
D (Flexible Conduit /Whip)	660mm / 26"						
H1 (Ceiling Thickness)	30.5mm / 1.2"						
H2 (Regress Height)	2.56"	3.03"	3.83"	4.25"	3.03"	3.83"	4.25"
H3 (Height Assembled)	5.35"	5.85"	6.65"	7.11"	5.85"	6.65"	7.11"
H4	2.85"						
H5 (Height Module)	3.21"						
Cut-out	Φ4.8-5.5"	Φ6.3-7.0"	Φ7.9-8.7"	Φ8.7-10"	Φ6.3-7.0"	Φ7.9-8.7"	Φ8.7-10"

FEATURES



Light Modules



4/6/8/10in Round Reflector

ACCESSORIES



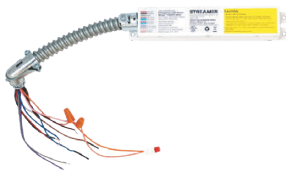
VRSDMP-346

Mounting plate for 3"/4"/6"
can-less downlight



VRSDMP-468

Mounting plate for 4"/6"/8"
can-less downlight



VHV-8W-EM

Emergency Driver and
Battery Back-up



VHV-25W-EM

High Output Voltage Emer
gency Driver and Battery
Back-up