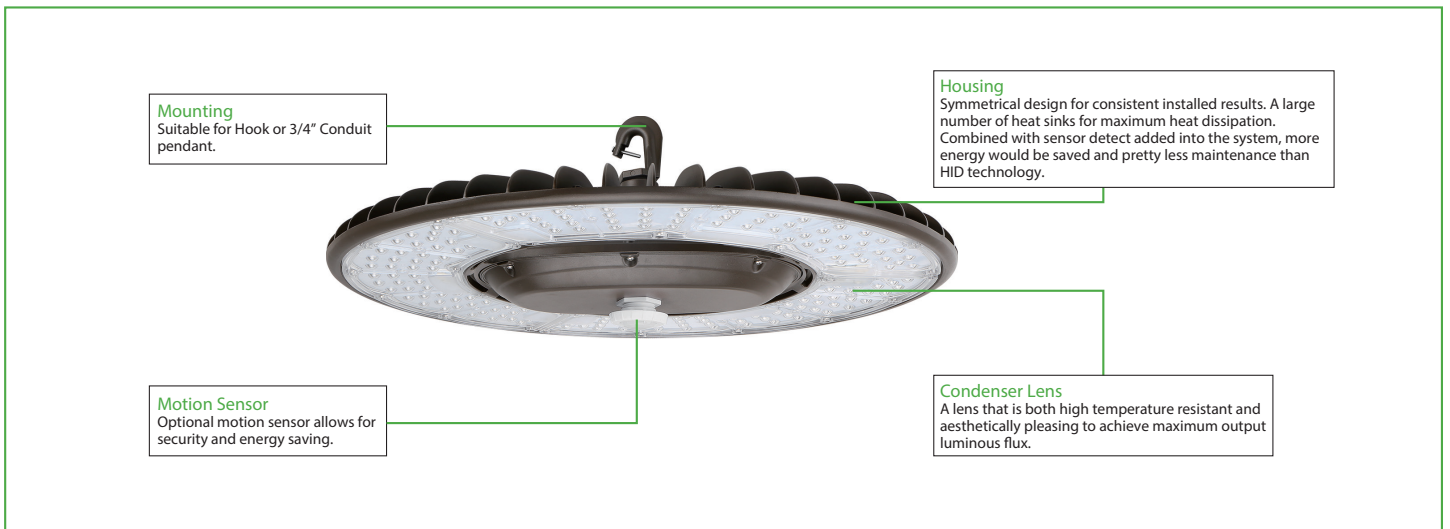


# Series VHB05 LED Round Highbay Light



## Features

- Efficacy higher than 145lm/W with high luminous flux output.
- 120 degree lens guarantees light intensity and light uniformity.
- Hook(default included) or Conduit pendant way for different applications.
- Optional motion sensor can be offered for maximizing energy savings.
- Optional adjustment dial allows the fixture to meet higher ambient temperature requirements.
- Operating temperature is -40°C (-40°F) -65°C (149°F).
- Resistant to shock and vibration.

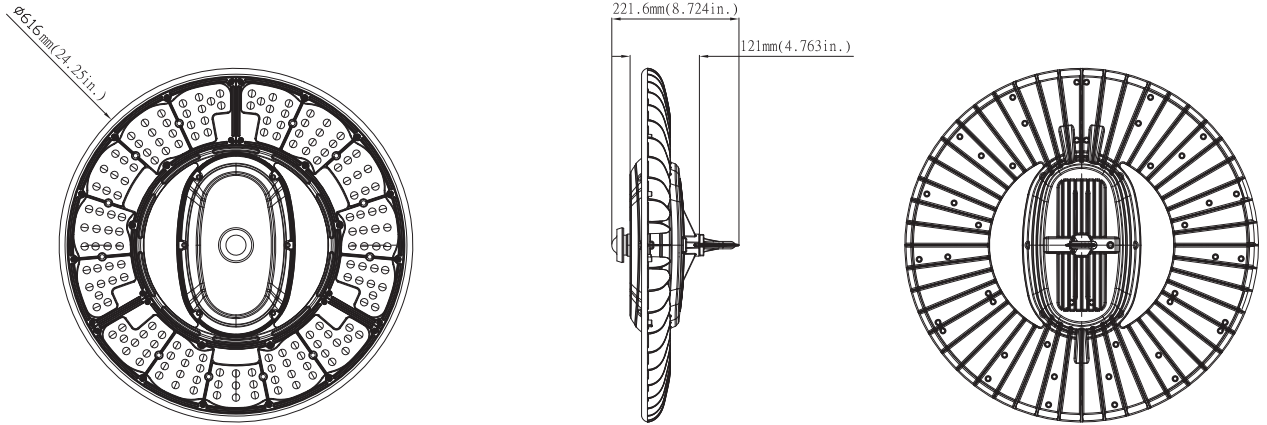


## PERFORMANCE DATA

SYSTEM WATTS	VOLTAGE	4000K(70CRI)		5000K(70CRI)		Temperature
		LUMENS	LPW	LUMENS	LPW	
200W	120-277VAC/347-480V	29000lm	145lm/W	29000lm	145lm/W	-40°C to 65°C
300W	120-277VAC/347-480V	42000lm	140lm/W	42000lm	140lm/W	-40°C to 65°C
250W	120-277VAC/347-480V	36000lm	144lm/W	36000lm	144lm/W	-40°C to 55°C
350W	120-277VAC/347-480V	50000lm	143lm/W	50000lm	143lm/W	-40°C to 55°C

# DIMENSION

unit: inch/mm



## ORDERING GUIDE Example: MHB05250W27V50KD

Fixture Type	Wattage	Voltage	CCT	Finish	Sensor (Option)	Adjustment Dial (Option)	Internal Code
<input type="text"/>	<input type="text"/>	<input type="text"/>	<input type="text"/>	<input type="text"/>	<input type="text"/>	<input type="text"/>	<input type="text"/>
<b>VHB05</b> High Bay	<b>200</b> 200W <b>300</b> 300W <b>250</b> 250W <b>350</b> 350W	<b>27V</b> 120-277V <b>48V</b> 347-480V	<b>40K</b> 4000K <b>50K</b> 5000K	<b>D</b> Dark Bronze <b>B</b> Black <b>W</b> White	<b>M</b> With Sensor <b>Blank</b> Without Sensor	<b>AD</b> With Adjustment Dial <b>Blank</b> Without Adjustment Dial	<b>Blank</b> <b>Alphanumeric</b>

- Note: 1. 200W and 300W are obtained by 250W and 350W using adjustment dial.  
 2. 200W or 300W is recommended when the ambient temperature is -40°C to 65°C (-40°F to 149°F).  
 3. 250W or 350W is recommended when the ambient temperature is -40°C to 55°C (-40°F to 131°F).