

# Series VHB02 LED Round Highbay Light



## Features

- Sealed die-casting pro le for indoor and outdoor applications.
- Voltage is 120-277V.
- Lumen ouput from 14000-24000lm with efficacy up to 140lm/W.
- Superior colour rendition index compared to HPS.
- Increase energy savings with bi-level Motion sensor.
- Replacing 250W MH and 400W MH.
- Operating temperature is -40°C to 55°C (-40°F to 131°F).
- UL/cUL and DLC pending.



## Applications:

Suitable for commercial, retail and institutional applications including gymnasiums, factories and warehouses.



## PERFORMANCE DATA

SYSTEM WATTS	PHOTOMETRY	VOLTAGE	4000K(70CRI)		5000K(70CRI)	
			LUMENS	LPW	LUMENS	LPW
100W	High Bay	120-277VAC	14000lm	140 lm/W	14000lm	140 lm/W
180W	High Bay	120-277VAC	24000lm	133 lm/W	24000lm	133 lm/W

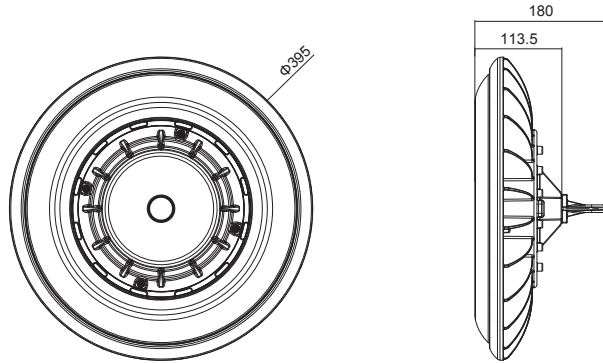
# ELECTRICAL DATA

Number Of Drivers	Driver Current (mA)	Nominal Power (W)	INPUT VOLTAGE (V)	CURRENT (Amps)
1	2600	100	120	0.83
		100	208	0.48
		100	240	0.42
		100	277	0.36
2	4540	180	120	1.50
		180	208	0.87
		180	240	0.75
		180	277	0.65

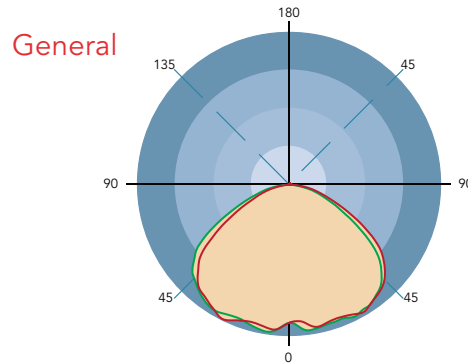
# DIMENSION

unit: inch/mm

Weight:  
100W: 8.3lb  
180W: 9.5lb



# PHOTOMETRIC PERFORMANCE



# ORDERING GUIDE

Example: VHB02100W27V50KYY

Fixture Type	Power Consumption	Input Voltage	CCT	Finish	Sensor (Option)
<input type="text"/>	<input type="text"/>	<input type="text"/>	<input type="text"/>	<input type="text"/>	<input type="text"/>
<b>VHB02</b> High Bay Series	<b>100W</b> 100Watts <b>180W</b> 180Watts	<b>27V</b> 120-277V	<b>40K</b> 4000K <b>50K</b> 5000K	<b>D</b> Dark Bronze <b>B</b> Black <b>W</b> White	<b>M</b> With Sensor <b>Blank</b> Without Sensor