

Series VGRLP LED Bollard

Powered by **CREE** LEDs



VGRPL-008



8"Diameter

VGRPL-009

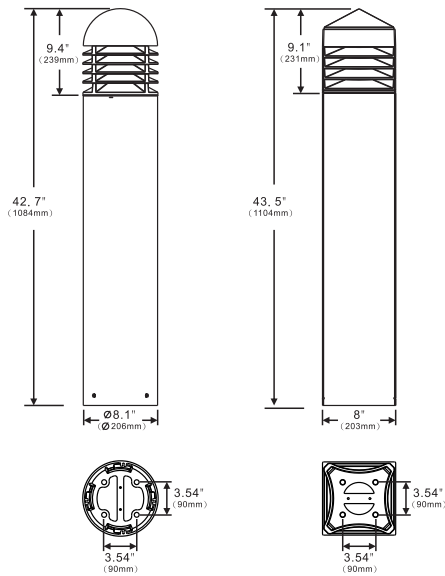


8"Square

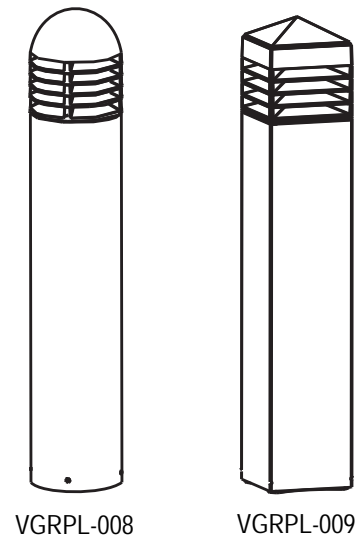
Attractive heavy duty bollards, ideal for lighting pedestrian walkways and accenting the exterior grounds of office and apartment buildings, hotel and parks. Grandlite offers cast aluminum construction throughout providing corrosion and vandal resistance.

Optional Kelvin color* with adder.

DIMENSIONS



LINE DRAWING



SPECIFICATION

Model No.	System watts	Lumen Output	Color	MA	Input Voltage	CRI	Starting Temp	Equivalent
VGRPL-008	40	740m**	5000K	950MA	120~277V	70+	-40°C	100W MH
VGRPL-009	40	740m**	5000K	950MA	120~277V	70+	-40°C	100W MH

* Different LED Kelvin temperature available with 4-6 week lead time. Please call for a quote.

** DISCLAIMER: This test report was produced in accordance with IES LM-79 photometric testing protocol for luminaires, using a single representative test fixture. Actual production units may vary from the values reported here by up to ±10%.