

LED CANOPY(VGC01)



ValueEngineeredLighting
ARCHITECTURAL LIGHTING PRODUCTS



SPECIFICATION FEATURES

Construction

- Die-cast aluminum housing secures the thermally conductive LED panel and electrical chamber.
- Casting thermally conducts LED heat to optimize performance and long life.
- With corrosion-resistant powder coating that provides protection and architectural appearance while adapting well to the indoor and outdoor environment.

Optics

- Light engines are available in standard 4000 K and 5000 K (70 CRI) configurations.
- Scalable Lumen Packages from 10,000 to 23,000 Lumens.
- Tempered glass lens is designed for excellent light output and uniformity.
- The optional Type III light type provides corner illumination without wasting light.

Electrical

- Universal 120-277 VAC or 347/480VAC input voltage.
- Optional for wattage selectable: 100%,80%,60%, 40%.
- 0-10V dimming driver standard for 10% to 100% dimming.
- Both drivers have a power factor >90%, THD <20%.
- Operating Temperature Range: -40°C to 50°C (-40°F - + 122°F).

Lifespan

- Estimated 50,000-hour LED lifespan based on IES LM-80 results and TM-21 calculations.

Warranty

- Five-year limited warranty.

Certifications

- UL cUL wet location listed.

Note

- Actual performance may differ as a result of end-user environment and application. All values are design or typical values, measured under laboratory conditions at 25°C(±5°C) specifications subject to change without notice.

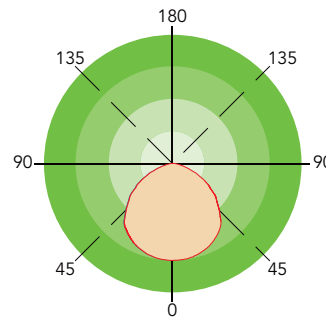


100W/135W/150W

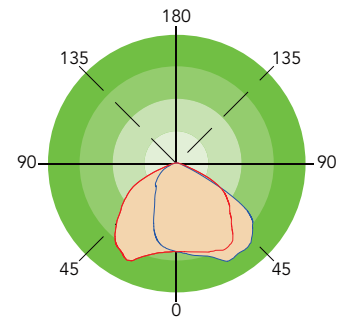


65W/98W

PHOTOMETRICS



General



Type 3

PERFORMANCE DATA

SETTING	SYSTEM WATTS	DISTRIBUTION	4000K		5000K	
			LUMENS (70CRI)	LPW (70CRI)	LUMENS (70CRI)	LPW (70CRI)
			100%	65W	General	10000lm
80%	52W	General	8200lm	158 lm/W	8200lm	158 lm/W
60%	39W	General	6300lm	162 lm/W	6300lm	162 lm/W
40%	26W	General	4400lm	169 lm/W	4400lm	169 lm/W

SETTING	SYSTEM WATTS	DISTRIBUTION	4000K		5000K	
			LUMENS (70CRI)	LPW (70CRI)	LUMENS (70CRI)	LPW (70CRI)
			100%	98W	General	15000lm
80%	78W	General	12300lm	158 lm/W	12300lm	158 lm/W
60%	59W	General	9600lm	163 lm/W	9600lm	163 lm/W
40%	39W	General	6700lm	172 lm/W	6700lm	172 lm/W

MGC01100W (General Distribution)

SETTING	SYSTEM WATTS	DISTRIBUTION	4000K		5000K	
			LUMENS (70CRI)	LPW (70CRI)	LUMENS (70CRI)	LPW (70CRI)
100%	100W	General	15000lm	150 lm/W	15000lm	150 lm/W
80%	80W	General	12300lm	154 lm/W	12300lm	154 lm/W
60%	60W	General	9600lm	160 lm/W	9600lm	160 lm/W
40%	40W	General	6700lm	166 lm/W	6700lm	166 lm/W

MGC01135W (General Distribution)

SETTING	SYSTEM WATTS	DISTRIBUTION	4000K		5000K	
			LUMENS (70CRI)	LPW (70CRI)	LUMENS (70CRI)	LPW (70CRI)
100%	135W	General	21000lm	156 lm/W	21000lm	156 lm/W
80%	108W	General	17500lm	162 lm/W	17500lm	162 lm/W
60%	81W	General	13600lm	168 lm/W	13600lm	168 lm/W
40%	54W	General	9500lm	176 lm/W	9500lm	176 lm/W

MGC01135W (Type III Distribution)

SETTING	SYSTEM WATTS	DISTRIBUTION	4000K		5000K	
			LUMENS (70CRI)	LPW (70CRI)	LUMENS (70CRI)	LPW (70CRI)
100%	135W	Type III	20000lm	148 lm/W	20000lm	148 lm/W
80%	108W	Type III	16300lm	151 lm/W	16300lm	151 lm/W
60%	81W	Type III	12700lm	157 lm/W	12700lm	157 lm/W
40%	54W	Type III	8800lm	163 lm/W	8800lm	163 lm/W

MGC01150W (General Distribution)

SETTING	SYSTEM WATTS	DISTRIBUTION	4000K		5000K	
			LUMENS (70CRI)	LPW (70CRI)	LUMENS (70CRI)	LPW (70CRI)
100%	150W	General	23000lm	153 lm/W	23000lm	153 lm/W
80%	120W	General	19000lm	158 lm/W	19000lm	158 lm/W
60%	90W	General	14800lm	164 lm/W	14800lm	164 lm/W
40%	60W	General	10200lm	170 lm/W	10200lm	170 lm/W

MGC01150W (Type III Distribution)

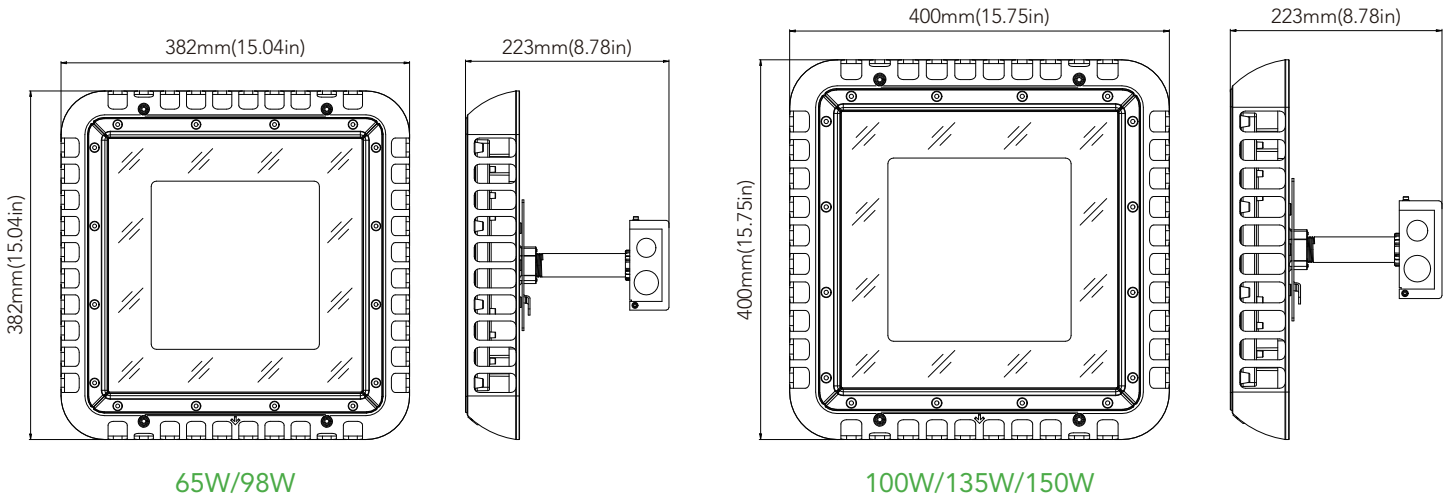
SETTING	SYSTEM WATTS	DISTRIBUTION	4000K		5000K	
			LUMENS (70CRI)	LPW (70CRI)	LUMENS (70CRI)	LPW (70CRI)
100%	150W	Type III	22000lm	147 lm/W	22000lm	147 lm/W
80%	120W	Type III	18000lm	150 lm/W	18000lm	150 lm/W
60%	90W	Type III	14000lm	156 lm/W	14000lm	156 lm/W
40%	60W	Type III	9700lm	162 lm/W	9700lm	162 lm/W

ELECTRICAL DATA

NUMBER OF DRIVERS	DRIVER CURRENT (mA)	NOMINAL POWER (W)	INPUT VOLTAGE (V)	CURRENT (Amps)
1	1750	65	120	0.54
		65	208	0.31
		65	240	0.27
		65	277	0.23
		65	347	0.19
		65	480	0.14
1	2600	98	120	0.82
		98	208	0.47
		98	240	0.41
		98	277	0.35
		98	347	0.28
		98	480	0.20
1	2600	100	120	0.83
		100	208	0.48
		100	240	0.42
		100	277	0.36
		100	347	0.29
		100	480	0.21
1	1200	135	120	1.13
		135	208	0.65
		135	240	0.56
		135	277	0.49
		145	347	0.42
		145	480	0.30
1	1200	150	120	1.25
		150	208	0.72
		150	240	0.63
		150	277	0.54
		160	347	0.46
		160	480	0.33

DIMENSION

unit: mm/inch




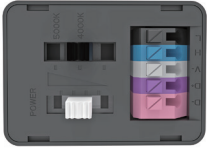

Weight:

100W: 4.95kg(10.91lbs)

135W/150W: 4.86kg(10.91lbs)

145W/160W: 5.96kg(13.14lbs)

ACCESSORIES (Optional)

		
<p>Spring fitting</p>	<p>Power Controller USE: The wattage can be changed by switch selection on the controller.</p>	<p>Microwave Sensor, 12V Description: Sensor can be built-in fixture.</p>

ORDERING GUIDE Example: MGC0165W27V40KYYYY

Fixture Type	Wattage	Input Voltage	CCT	Finish	Lens	Control	Internal Code
<input type="text"/>	<input type="text"/>	<input type="text"/>	<input type="text"/>	<input type="text"/>	<input type="text"/>	<input type="text"/>	<input type="text"/>
VGC01 Canopy Series	65W 98W 100W 135W 145W 150W 160W	27V 120-277V 48V 347/480V 48V 347-480V	40K 4000K 50K 5000K	D Dark Bronze B Black W White SG Silver Gray	CD Clear Diffuser T3 Type III lens	Blank Without control M With Sensor AD With Adjustment Dia MAD With Motion Sensor and Adjustment Dia	Blank Alphanumeric

- Note: 1. 135W model is in 120-277V , it's 145W in 347/480V.
 2. 150W model is in 120-277V , it's 160W in 347/480V.
 3. Only 65W, 98W and 100W suit for 347-480V input voltage.