



VESCB

LED Architectural Direct/Indirect Luminaire

FEATURES & SPECIFICATIONS

INTENDED USE

This sleek, low profile, direct/indirect fixture provides a soft, smooth, low glare, ambient light perfect for today's commercial buildings. This unique, squared lens, combined with our high reflectance, post powder paint, matte finish, ensure a highly efficient, superior quality lighting fixture.



Frosted Side Lens



Perforated Side Lens

FEATURES

- Recessed or surface mounted
- Post painted in matte white finish with 92% reflectance
- Acrylic frosted diffuser with 90% light transmission
- Formed and welded in 24 gauge steel
- Direct/indirect lighting
- Easy removal of diffuser without any tools
- Volumetric low cost center lens
- LEDs life >60,000 hours
- >80 CRI
- 5 Years Warranty

SIZE W x L x H in inches

- 1x4** 12.00"W x 48.00"L x 3.34"D
- 2x2** 24.00"W x 24.00"L x 3.36"D
- 2x4** 24.00"W x 48.00"L x 3.26"D

1X4 ORDERING INFORMATION

Example: SCB14LF35W3900LDMV40K

VESCB	14L	F35W3900L	DMV	40K
Series	Size	Wattage / Lumen	Driver	Color Temperature
VESCB Architectural Direct/Indirect Luminaire	14L	F22Y 2700N 22 System Watts, 2675 Delivered Lumens F35Y 3900N 35 System Watts, 3900 Delivered Lumens F40Y 4400N 40 System Watts, 4370 Delivered Lumens F48Y 5100N 48 System Watts, 5120 Delivered Lumens F57Y 6000N 57 System Watts, 5970 Delivered Lumens	DMV 0-10V Dimming *Field installed-Dimming Wire DMVFID 0-10V Dimming *Factory installed-Dimming Wire	52M' 3000K 57M' 3500K 40K 4000K 50K 5000K

* Consult FACTORY for more options

VESCB Series

LED Architectural Direct/Indirect
Luminaire

2x2 ORDERING INFORMATION

Example: SCB22LF18W2100LDMV40K

VESCB	22L	F18W2100L	DMV	40K
Series	Size	Wattage / Lumen	Driver	Color Temperature
VESCB Architectural Direct/Indirect Luminaire	22L	F18Y 1800N 18 System Watts, 1780 Delivered Lumens F20Y 2200N 20 System Watts, 2155 Delivered Lumens F24Y 2600N 24 System Watts, 2565 Delivered Lumens F30Y 3000N 30 System Watts, 3065 Delivered Lumens	DMV 0-10V Dimming *Field installed-Dimming Wire DMVFID 0-10V Dimming *Factory installed-Dimming Wire	52M' 3000K 57M' 3500K 40K 4000K 50K 5000K

2x4 ORDERING INFORMATION

Example: SCB24LF35W3900LDMV40K

VESCB	24L	F35W3900L	DMV	40K
Series	Size	Wattage / Lumen	Driver	Color Temperature
VESCB Architectural Direct/Indirect Luminaire	24L	F30W3500L 30 System Watts, 3480 Delivered Lumens F35W3900L 35 System Watts, 3855 Delivered Lumens F40W4500L 40 System Watts, 4460 Delivered Lumens F48W5200L 48 System Watts, 5230 Delivered Lumens F57W6100L 57 System Watts, 6130 Delivered Lumens	DMV 0-10V Dimming *Field installed-Dimming Wire DMVFID 0-10V Dimming *Factory installed-Dimming Wire	52M' 3000K 57M' 3500K 40K 4000K 50K 5000K

* Consult FACTORY for more options

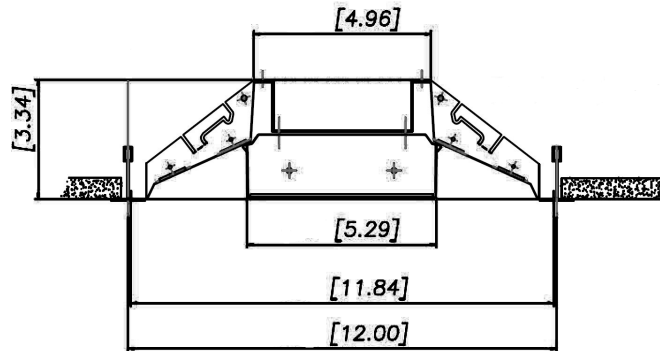
VESCB Series

LED Architectural Direct/Indirect
Luminaire

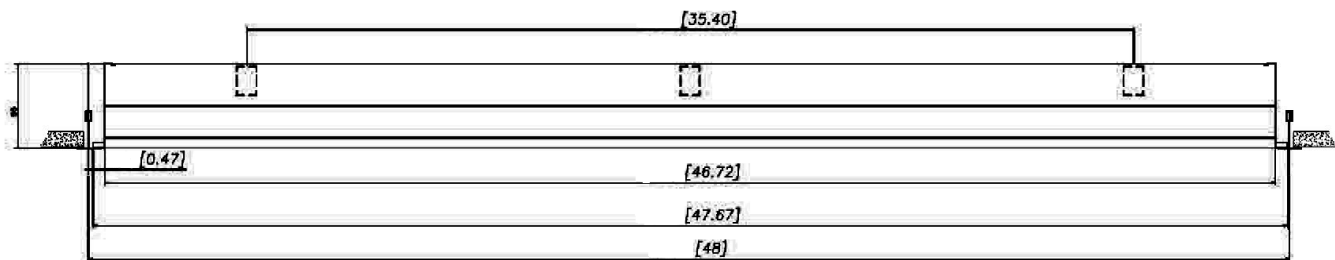
DIMENSIONS

All dimensions are inches. Specifications subject to change without notice

1x4

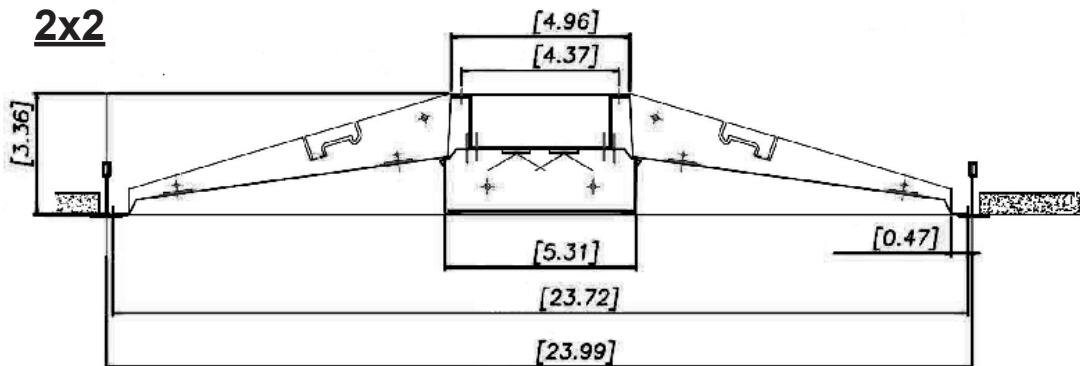


End View

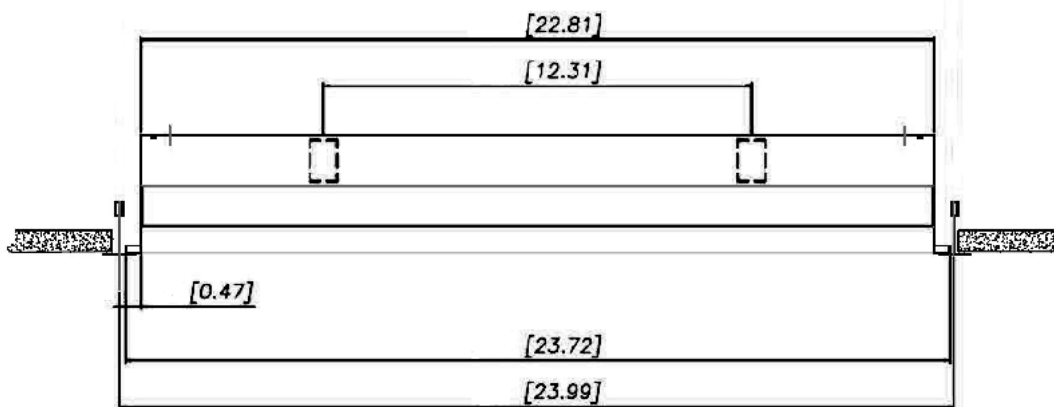


Side View

2x2



End View



Side View

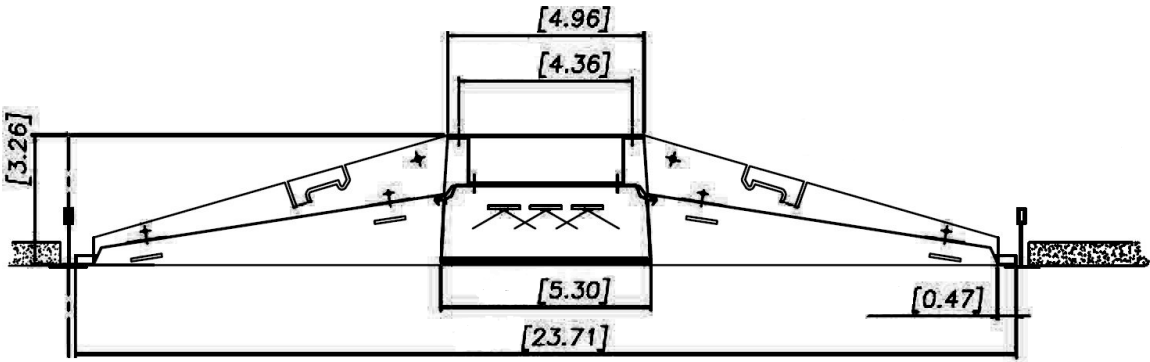
VESCB Series

LED Architectural Direct/Indirect
Luminaire

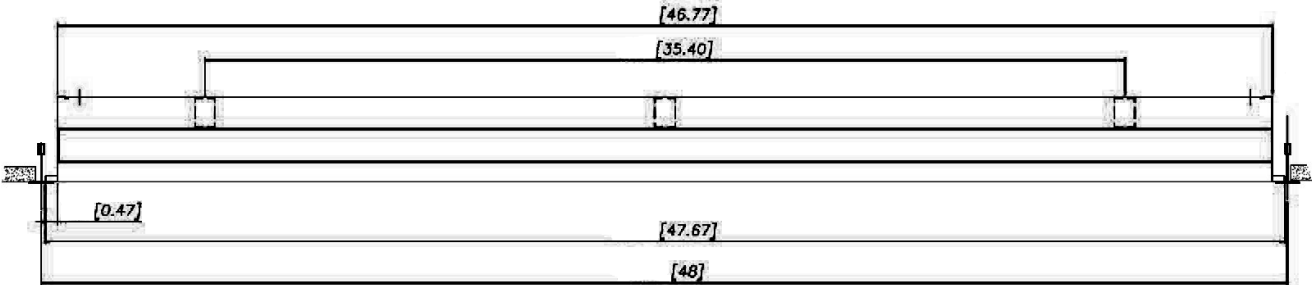
DIMENSIONS

All dimensions are inches. Specifications subject to change without notice

2x4



End View



Side View