

# VEM-H Series

## UL Listed LED Emergency Driver

Unrivaled emergency solutions for LED Product with internal driver



### PRODUCT DESCRIPTION

LED emergency drivers are UL Listed for factory or field installation, unrivaled emergency solutions for LED product with internal driver. It allows the same LED luminaire to be used for normal and emergency operation and works in conjunction with an AC LED driver that convert new or existing LED fixtures into emergency lighting. The Linear and slim profile is ideally for a narrow, galvanized steel enclosure for installations with limited compartment space. Such as 8w driver for 2FT fluorescent troffer fixture and 16w for the 4FT one. It adopt a long-life recyclable Lithium battery, and are backed by a 5-Year Warranty. It is available in a variety of wattage, providing solutions for 8, 16 and 25 watt applications.

### OPERATION

When AC power fails, OKT'S EM-H Series emergency LED driver immediately switches to the emergency mode, operating the LEDs at a reduced lumen output for a minimum of 90 minutes. When AC power is restored, the emergency driver automatically returns to the charging mode.

### SELF-TESTING

OKT New version UL listed EM are equipped with self-testing functionality.

- Initial Self-test after installation

It will perform a functional test of 3 seconds after the driver installed and will perform second test in 120minutes to check the wiring and battery output if work. The indicator LED will be off or flicker in case of a failure or an error.

- Monthly Self-Test

It will automatically perform a test every 30 days with a duration of 3 seconds, in which the wiring and battery output are checked. In case of a failure or an error, the indicator LED will be off or flicker.

### Mounting configuration:

Each unit is available in four different mounting configurations to accommodate various performance requirement and fixtures types.

- Single Flex (Standard Version)

Mounts to the junction box and provides flexible conduit for remote mounting of the test accessories.



- Dual Flex (Standard Version)

Provides dual flex for wiring to both the fixture or driver compartment and test accessories.



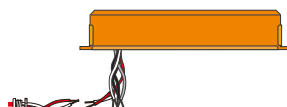
- Integral NonFlex (Optional)

Allows for integral installation within the driver compartment. May also be mounted atop the fixture when used with a TMK cover accessory.



- Top-Mount Non-Flex (Optional)

Top-mounting option for running wires directly into the driver compartment. Test accessories are then installed within the fixture.



Rectangle

Single Flex ▲



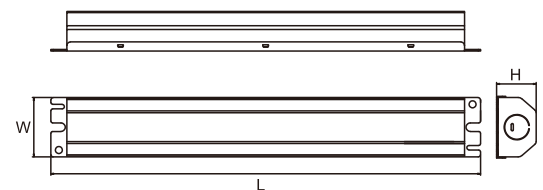
Rectangle

4" Octagon (optional)

Dual Flex ▲

**Note:**  
Power of emergency driver ≥ Power of LED Fixture with Internal driver

### Dimensions



Model	L	W	H
VEM-H08170-XX	14.80"	2.13"	1.38"
VEM-H16170-XX	17.14"	2.13"	1.38"
VEM-H25170-XX	17.14"	2.13"	1.57"

VEM-H08170-XX



**Output Power**  
8 Watts

**Output Voltage**  
170V DC

**Input Current**  
35 mA (Max)

**Input Power**  
5 Watts (Max)

**Input Voltage**  
100-277VAC, 50-60Hz

**Emergency Operation**  
≥90 Minutes

**Operating Temp**  
0°C to 50°C

**Battery**  
Lithium

**Recharge**  
24 Hrs

**Dimension**  
L 14.80" x W 2.13" x H 1.38"

VEM-H16170-XX



**Output Power**  
16 Watts

**Output Voltage**  
170V DC

**Input Current**  
50 mA (Max)

**Input Power**  
6 Watts (Max)

**Input Voltage**  
100-277VAC, 50-60Hz

**Emergency Operation**  
≥90 Minutes

**Operating Temp**  
0°C to 50°C

**Battery**  
Lithium

**Recharge**  
36 Hrs

**Dimension**  
L 17.14" x W 2.13" x H 1.38"

VEM-H25170-XX



**Output Power**  
25 Watts

**Output Voltage**  
170V DC

**Input Current**  
60 mA (Max)

**Input Power**  
8 Watts (Max)

**Input Voltage**  
100-277VAC, 50-60Hz

**Emergency Operation**  
≥90 Minutes

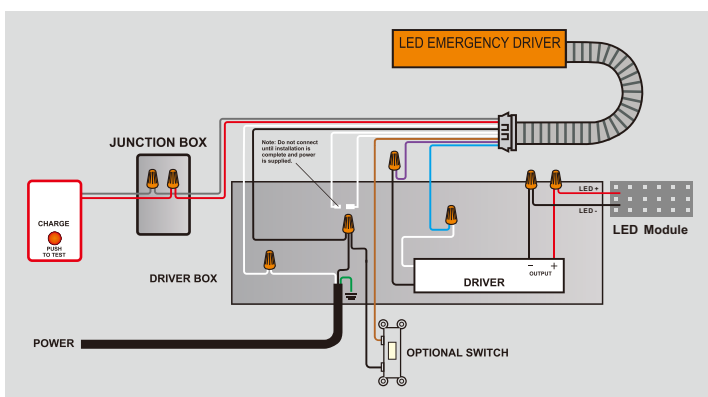
**Operating Temp**  
0°C to 50°C

**Battery**  
Lithium

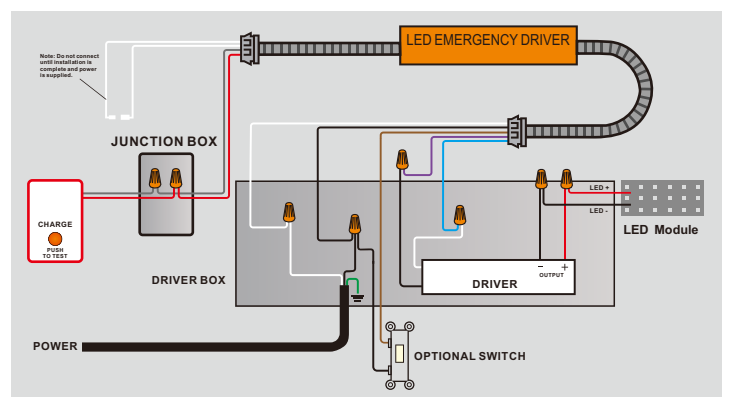
**Recharge**  
36 Hrs

**Dimension**  
L 17.14" x W 2.13" x H 1.57"

TYPICAL WIRING DIAGRAM



Single Flex



Dual Flex