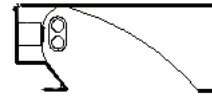


# EWW 4ft

Elliptical wall wash coffer, Grid mount



## FEATURES & SPECIFICATIONS

### INTENDED USE

Specification grade, recessed perimeter elliptical wall wash to highlight wall and shelf mounted goods in commercial and retail environments. Provides uniform VERTICAL surface lighting.

### SIZE W x L x H in inches (mm)

10.62W x 48.0L x 4.5Dp (270 x 1220 x 115)

### LAMP

2 lamp positions.

### MOUNTING

Recessed inverted T-Bar ceilings. Grid mount.

### MATERIALS & FEATURES

Housing is die-formed and embossed code 22 gage steel. Finish is high reflectance baked white enamel. Access plate with wiring knockouts are provided on one side of housing. Ballast is accessed from side, through adjacent ceiling tile. Premium, full specular reflectors at sides and ends create a professional finish and control the wall wash lighting distribution.

- Perimeter highlight for wall and shelf mounted goods.
- ‘Silver’ full bright reflectors maximize efficiency, light output, and control wall wash distribution.
- Access plate to simplify installation

### LISTING

Fixture and Ballast: UL Listed.

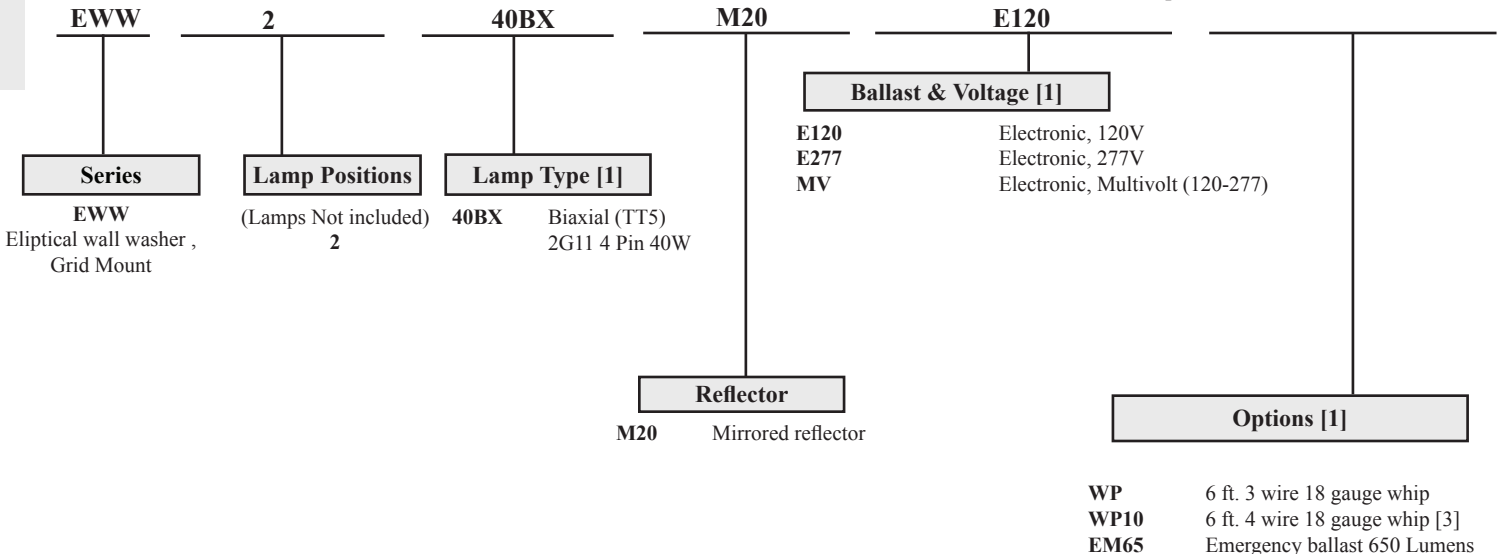
Ballast: Thermally protected, class P, HPF, Non

### TYPICAL OPTIONS AND ACCESSORIES

Whips, fuses, and frame kits. See options page at the end of the T02Grid section, or contact factory for more details.

## ORDERING INFORMATION

Example: EWW 240BX M20 E120



### Notes

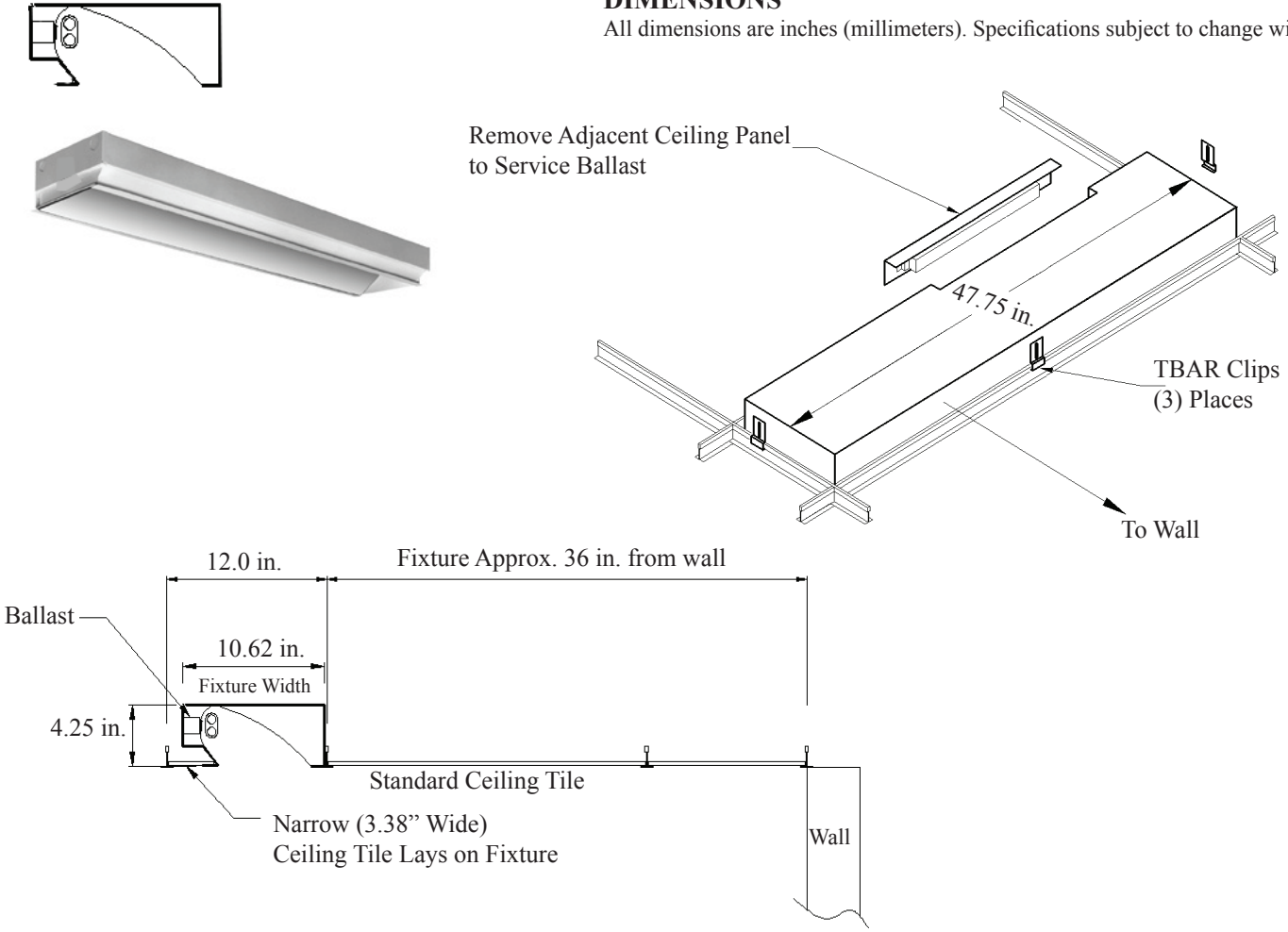
[1] See end of T02Grid for many additional lamps, ballasts, finishes, and options.

# EWV 4ft

## Elliptical wall wash coffer, Grid mount

### DIMENSIONS

All dimensions are inches (millimeters). Specifications subject to change without notice.



### PHOTOMETRICS

Calculated using the zonal cavity method in accordance with IESNA LM41 procedure. Lamp configurations shown are typical. Photometric data on these and other configurations available upon request.

Floor	20%	20%	20%	20%	20%	20%	20%	20%	20%
Ceiling	80%	80%	80%	70%	70%	70%	50%	50%	50%
Wall	70%	50%	30%	70%	50%	30%	50%	30%	10%
RCR	Zonal cavity coefficients			131A132M20-12		Spacing ratio. Along 1.2 Across 1..3			
0	0.93	0.93	0.92	0.91	0.90	0.90	0.87	0.86	0.86
1	0.86	0.82	0.78	0.84	0.80	0.77	0.77	0.74	0.72
2	0.78	0.72	0.67	0.76	0.70	0.66	0.68	0.64	0.60
3	0.72	0.63	0.57	0.70	0.62	0.56	0.60	0.55	0.51
4	0.66	0.56	0.50	0.64	0.55	0.49	0.53	0.48	0.44
5	0.61	0.50	0.43	0.59	0.49	0.43	0.48	0.42	0.38
6	0.56	0.45	0.38	0.54	0.44	0.38	0.43	0.37	0.33
7	0.52	0.41	0.34	0.50	0.40	0.34	0.39	0.33	0.29
8	0.48	0.37	0.30	0.47	0.37	0.30	0.36	0.30	0.26
9	0.45	0.34	0.27	0.44	0.33	0.27	0.32	0.27	0.23
10	0.42	0.31	0.25	0.41	0.31	0.25	0.30	0.24	0.21