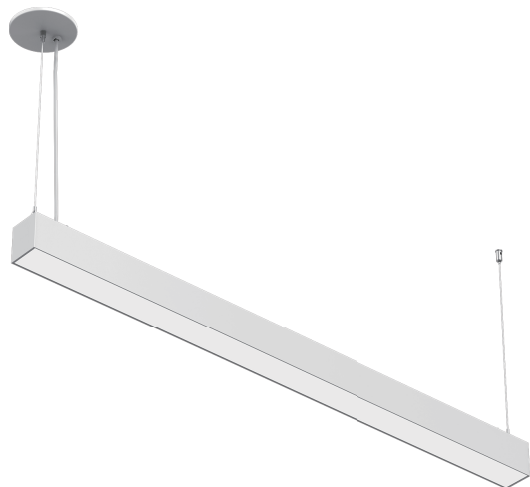


LED UP DOWN LINEAR LIGHT



FEATURES AND SPECIFICATIONS

Construction

- Light direction is selectable from Down only, Up only or both Down & Up lights.
- Five lighting distribution ways switchable: Up 100%+Down 0%, Up 70%+Down 30%, Up 50%+Down 50%, Up 30%+Down 70%, Up 0%+Down 100%, .
- Control CCT of down or uplight individually, Switch from 3500K, 4000K & 5000K.
- Sensor and emergency battery backup are available.

Electrical

- Working voltage 120-277V
- 0-10V dimming standard for a dimming range of 100% to 0%.
- Operating Temperature Range: -20°C to +45°C (-4°F - + 113°F).
- Note: Operating with emergency battery temperature range: 5°C to 45°C (+41°F - + 113°F).

Applications

- Commercial area, Residential area, Convention center, Office, Lobby hospitality, Showroom, Hotel.

Installation

- Pendant mounting, surface mounting and wall mounting standard. Linkable mounting: 15pcs MAX unique end cap simplifies installation, seamless continuous runs or individuals.

Listing

- UL listed.
- DesignLights Consortium ®(DLC)Premium

Warranty


- 5-year limited warranty

Specs at a Glance	* Nominal Wattage (Switchable)
Configuration	VE77E-4-50W- A5C3
CCT (K)	UP 3500K 4000K 5000K Tunable DOWN 3500K 4000K 5000K Tunable
Wattage (W)*	50/35/25/15W adjustable
Lumens (lm)	50W=6500lumens 35W=4550lumens 25W=3250lumens 15W=1950lumens
Efficacy (LPW)	130lm/w
Size	4FT
CRI	>80
Input Voltage	AC120-277V
Operating Temp	-20°C-45°C
Certifications	UL&DLC 5.1 Premium
Warranty	5-year limited warranty

Ordering information

Model	Description
VE77E-4-50W- A5C3	4FT linear strip light, Power Switchable 50W/35W/25W/15W, Color Switchable 3500K/4000K/5000K 120-277VAC

Color Temperature & Light Distribution Field Adjustable Controls



CCT Switchable
3500/4000/5000K

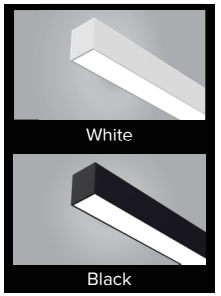
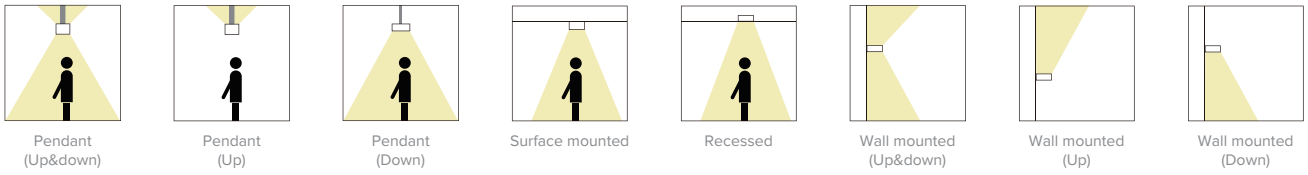
Uplight Downlight

Adjustable Light Distribution

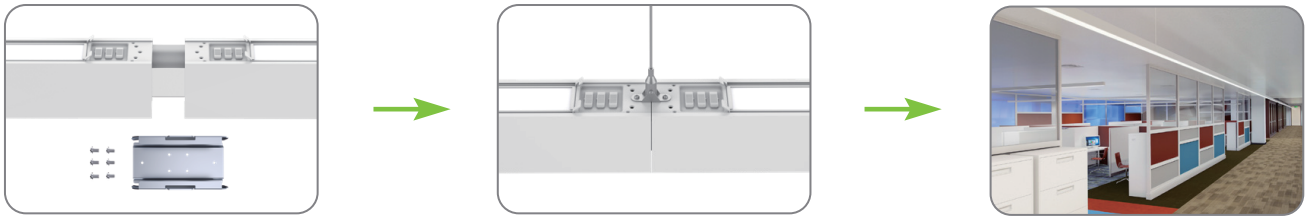
- ① UP: 100% & DOWN: 0%
- ② UP: 70% & DOWN: 30%
- ③ UP: 50% & DOWN: 50%
- ④ UP: 30% & DOWN: 70%
- ⑤ UP: 0% & DOWN: 100%

FINISH OPTIONS:

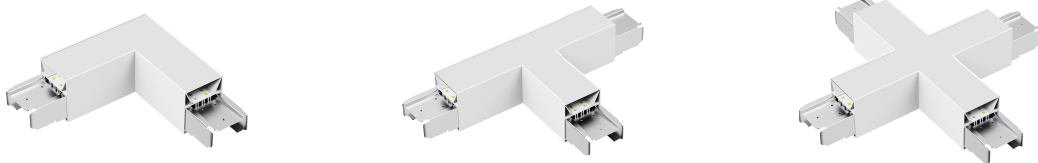
- White
- Black

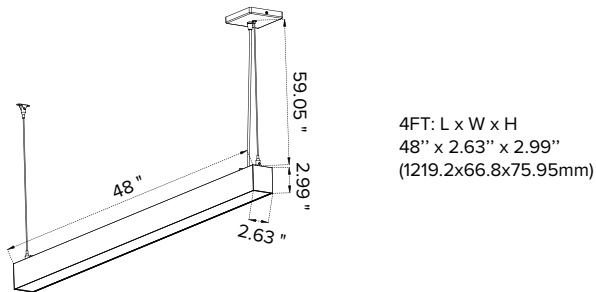
Seamless continuous connection easy



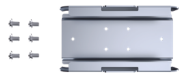
Link Pattern



Dimensions



Accessories



Straight Connector



L Connector



T Connector



+Connector



Cutttable Flexible Cover



Round Canopy & Power Cable



Square Canopy & Power Cable



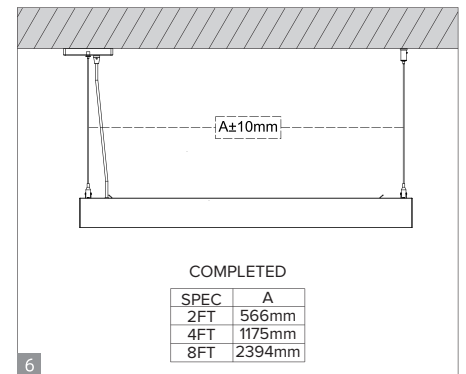
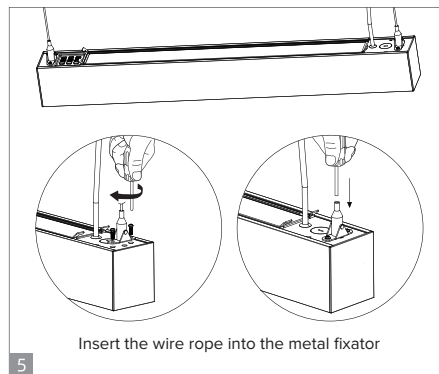
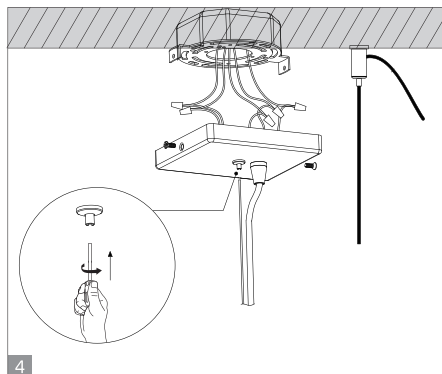
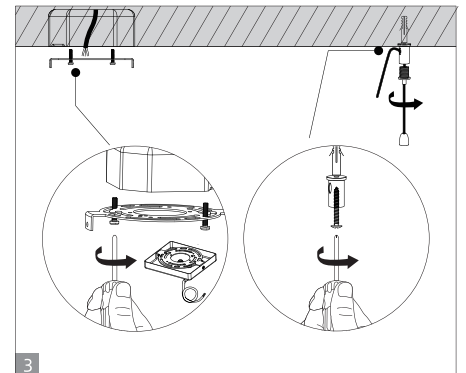
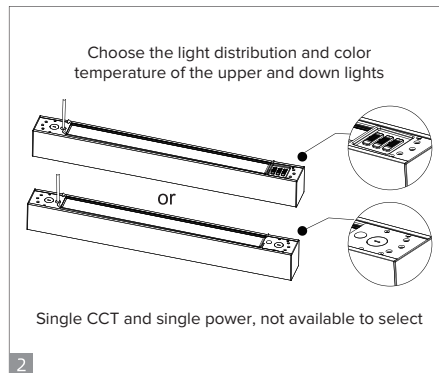
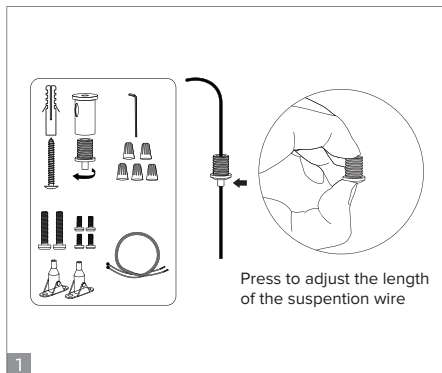
Microwave Motion Sensor (Merrytek)



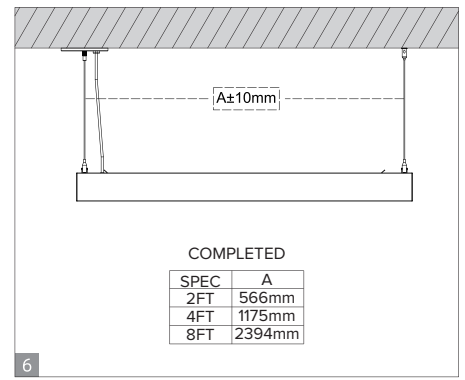
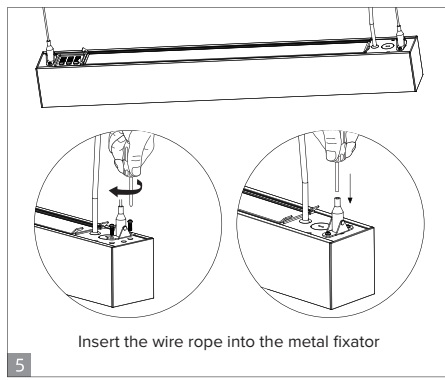
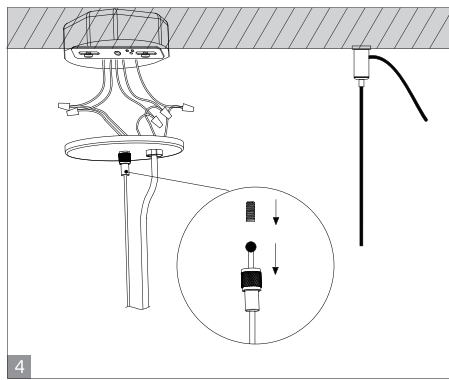
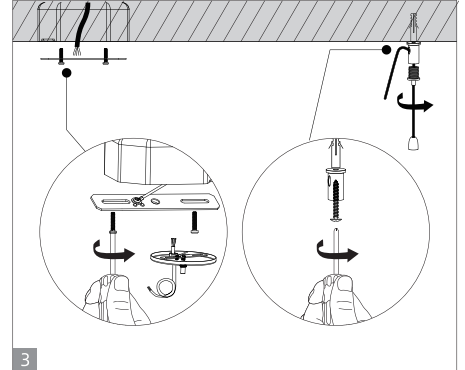
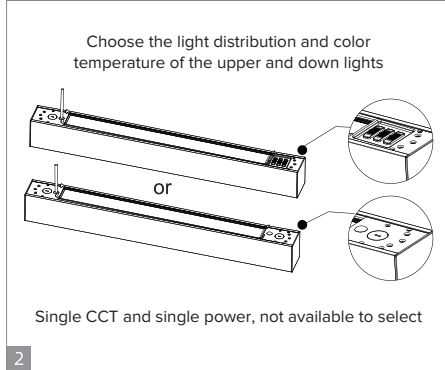
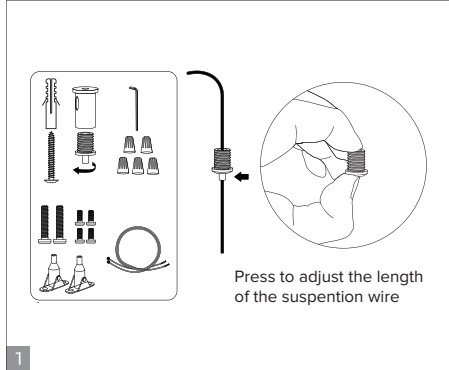
Emergency Battery Backup

Installation Instruction

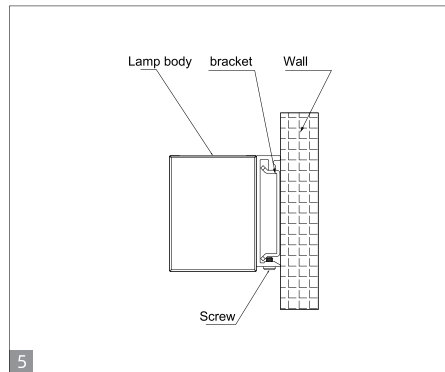
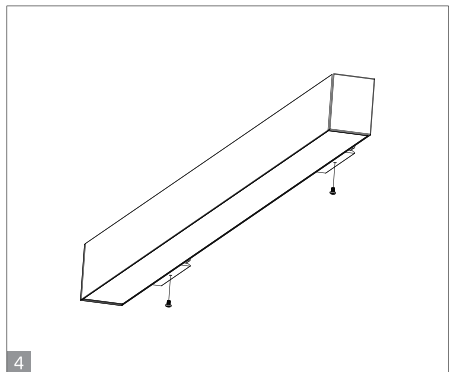
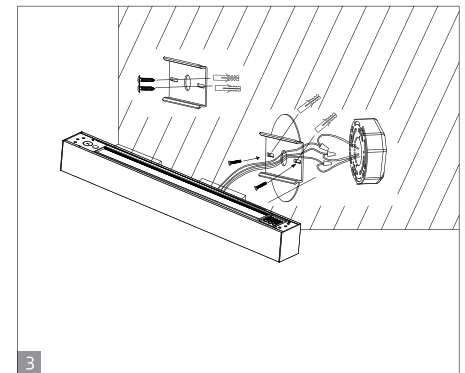
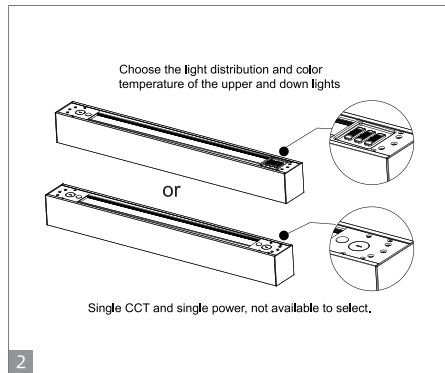
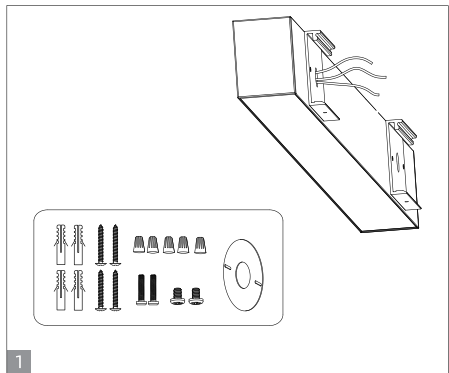
Suspension installation with square surface plate.



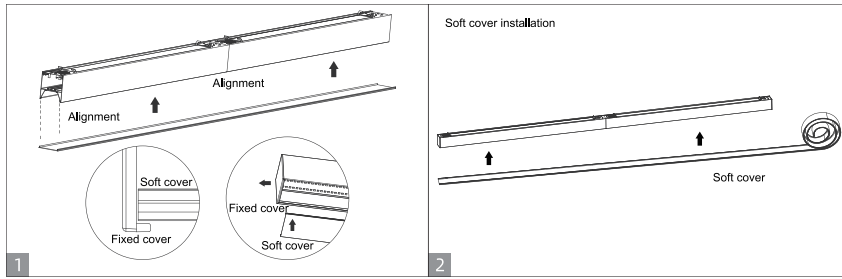
Suspension installation with round surface plate



Wall mounted installation



Cover installation



Link Pattern

