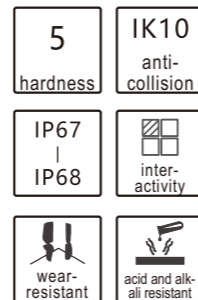


Model: VE308.361000

LED Brick 1000x36x46mm



- Waterproof:** Original triple structure with glue waterproof patent, private mold waterproof connector and reliable waterproof performance, up to IP67-IP68;
- Texture:** Surface texture hardness up to 5°, anti-scratch, anti-wear, acid & alkali resistant, customizable texture and pattern;
- Customization:** Customizable size & shape;
- Interaction:** Interactive induction available, game interaction program implantable, with strong experience feeling;
- Application:** Municipal and commercial squares, garden paths, cultural tourism projects, etc.



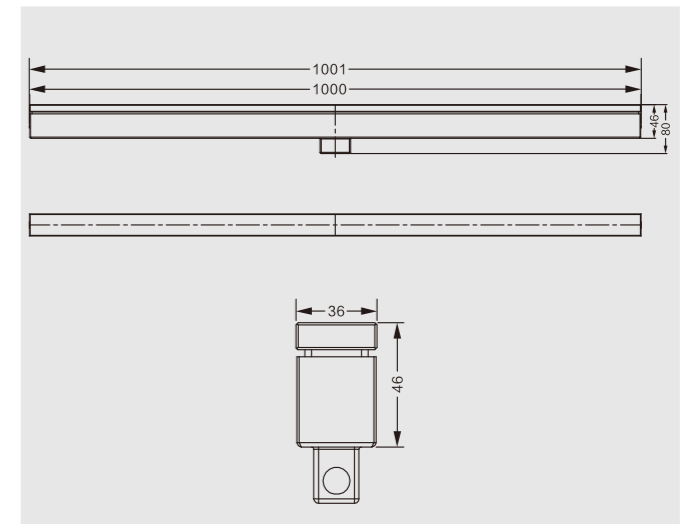
Specification

LED Type : Cree, Osram, Lumileds, Nichia etc.
Input Voltage : 24VDC
Power Rating : 8W
Beam Angle : 120°
Color Temperature : White, R, G, B, RGB
Life Span : ≥50000 hrs
Housing : Stainless steel body, high-strength tempered textured glass cover
Dimension : 1000x36x55mm
Weight : 3.5kg
Working Temperature : -30°C ~ +65°C
Control : ON/OFF, DMX512
Ingress Protection : IP67
Classification : Class III
Installation: Embedded buried installation (recessed box required)

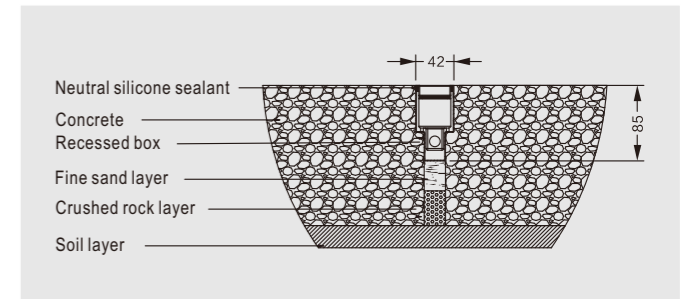
Project Cases



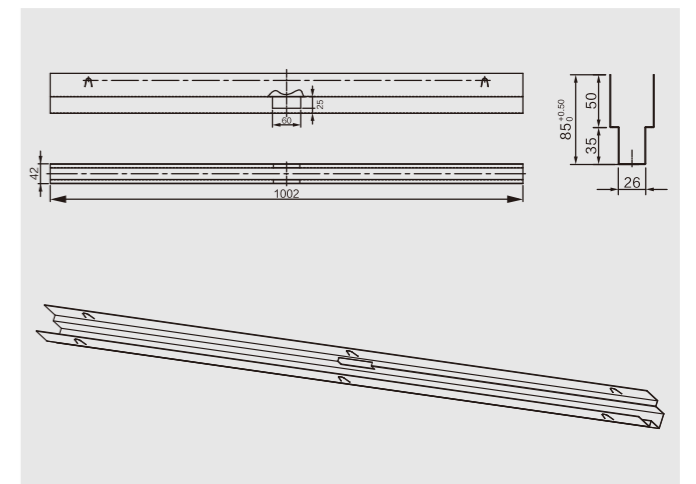
Size



Installation



Recessed box



Fixture Options

Spec	Size	Texture	LED color	Voltage	Power	Control	Other options			
1000x36	1000x36x46mm	Granite, Caesar Grey, Yellow Granite, Red Granite, etc	White, R, G, B, RGB	24VDC	8W	ON/OFF, DMX512	With induction	Drive over	Stainless steel; Die-cast aluminum	Continuous connection in series

* The contents and parameters of this product are for informational purposes only, subject to change without any notice, please refer to real product, our company reserves the final interpretation.