

Model: VE308.320320

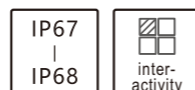
Intelligent LED Brick 320x320x77mm



Patented product



- ◆ **Waterproof:** Original triple structure with glue waterproof patent, private mold waterproof connector and reliable waterproof performance, up to IP67-IP68;
- ◆ **Texture:** Surface texture hardness up to 5°, anti-scratch, anti-wear, acid & alkali resistant, customizable texture and pattern;
- ◆ **Customization:** Customizable size & shape;
- ◆ **Interaction:** Interactive induction available, game interaction program implantable, with strong experience feeling;
- ◆ **Application:** Municipal and commercial squares, garden paths, cultural tourism projects, etc.



◆ Specification

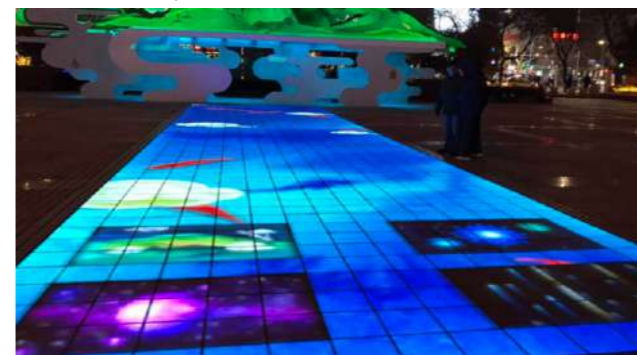
LED Type : Cree, Osram, Lumileds, Nichia etc.
Input Voltage : 24VDC
Power Rating : 24W
Beam Angle : 120°
Color Temperature : RGB
Life Span : ≥50000 hrs
Housing : Stainless steel body, high-strength tempered textured glass cover
Dimension : 320x320x77mm (100 pixels)
Weight : 6kg
Working Temperature : -30°C ~ +65°C
Control : DMX512
Ingress Protection : IP67
Classification : Class III
Installation: Embedded buried installation (recessed box required)

◆ Project Cases

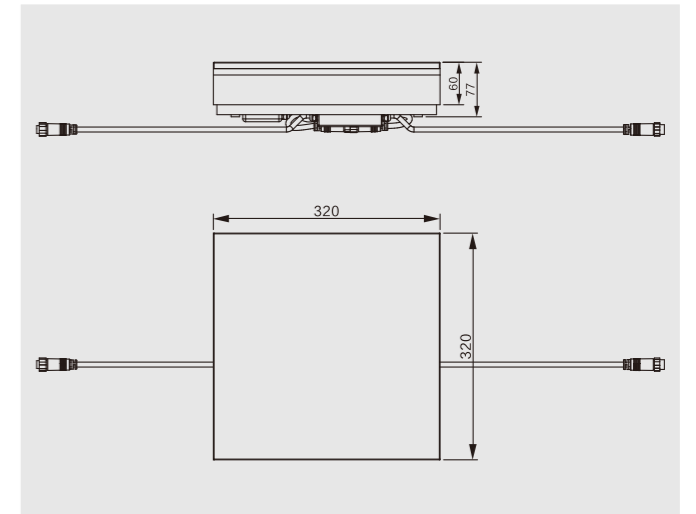
Beijing Olympic Park



Main Urban Area, Weinan

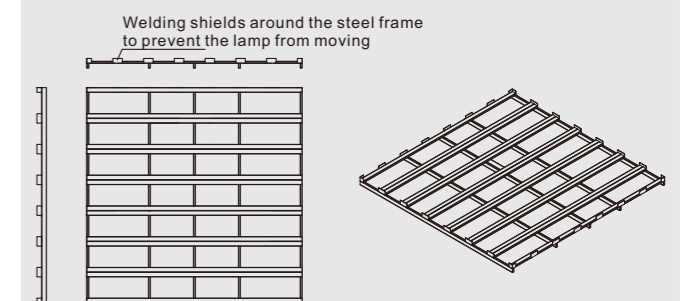


◆ Size

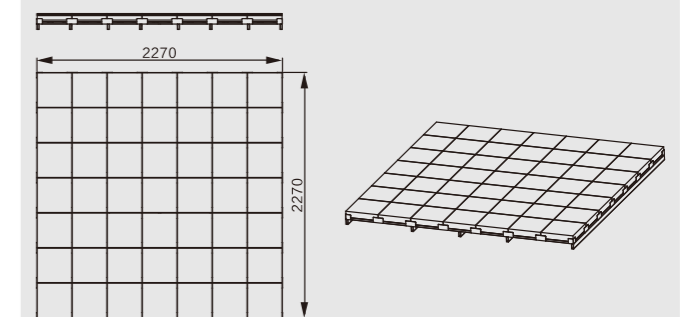


◆ Installation

- 320x320x72mm Floor brick steel frame layout(7x7 layout)



- 320x320x77mm Floor brick steel frame layout(7x7 layout)
Reserved size of steel frame with luminaire: 2270x2270x147mm



◆ Fixture Options

Spec	Size	Texture	LED color	Voltage	Power	Control	Other options			
320x320	320x320x77mm	Granite, Caesar Grey, Yellow Granite, Red Granite, etc	RGB	24VDC	24W	DMX512	With induction	Drive over	Stainless steel; Die-cast aluminum	Continuous connection in series

* The contents and parameters of this product are for informational purposes only, subject to change without any notice, please refer to real product, our company reserves the final interpretation.