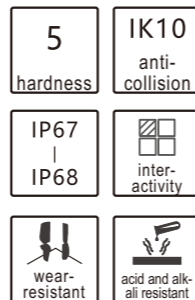


Model: VL308.100200

## LED Brick 100x200x55mm



- Waterproof:** Original triple structure with glue waterproof patent, private mold waterproof connector and reliable waterproof performance, up to IP67-IP68;
- Texture:** Surface texture hardness up to 5°, anti-scratch, anti-wear, acid & alkali resistant, customizable texture and pattern;
- Customization:** Customizable size & shape;
- Interaction:** Interactive induction available, game interaction program implantable, with strong experience feeling;
- Application:** Municipal and commercial squares, garden paths, cultural tourism projects, etc.



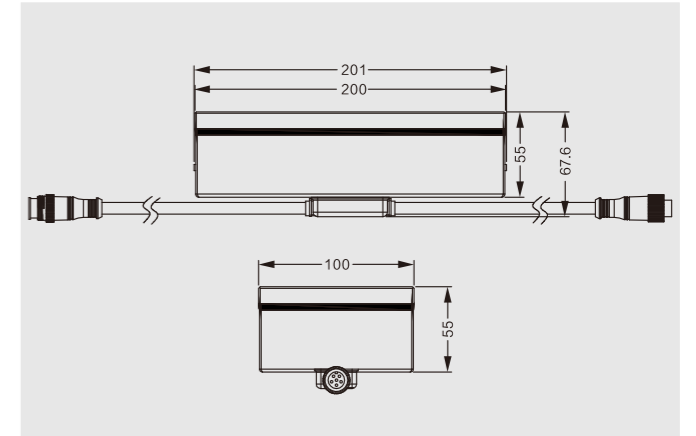
### Specification

LED Type : Cree, Osram, Lumileds, Nichia etc.
Input Voltage : 24VDC
Power Rating : 2.6W
Beam Angle : 120°
Color Temperature : White, R, G, B, RGB
Life Span : ≥50000 hrs
Housing : Stainless steel body, high-strength tempered textured glass cover
Dimension : 100x200x55mm
Weight : 1.5kg
Working Temperature : -30°C ~ +65°C
Control : ON/OFF, DMX512
Ingress Protection : IP67
Classification : Class III
Installation: Embedded buried installation (recessed box required)

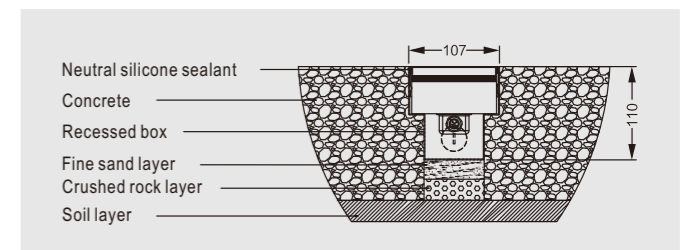
### Project Cases



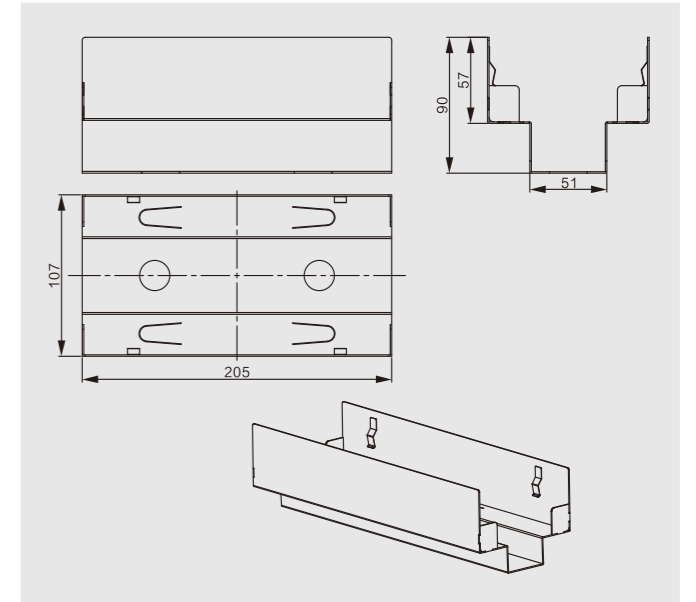
### Size



### Installation



### Recessed box



### Fixture Options

Spec	Size	Texture	LED color	Voltage	Power	Control	Other options			
100x200	100x200x55mm	Granite, Caesar Grey, Yellow Granite, Red Granite, etc	White, R, G, B, RGB	24VDC	2.6W	ON/OFF, DMX512	With induction	Drive over	Stainless steel; Die-cast aluminum	Continuous connection in series

\* The contents and parameters of this product are for informational purposes only, subject to change without any notice, please refer to real product, our company reserves the final interpretation.