

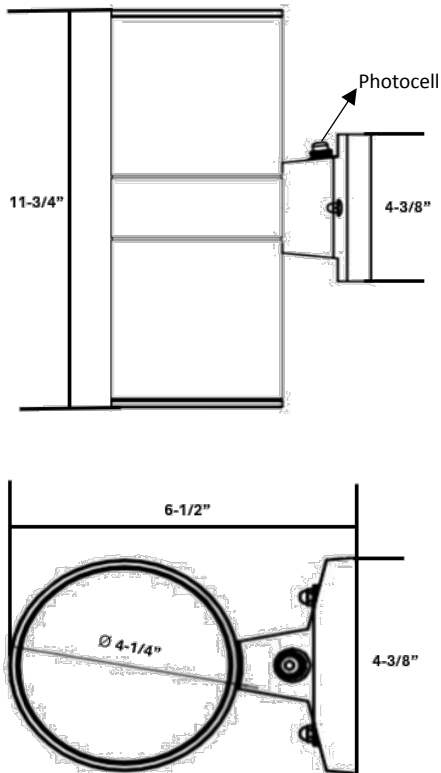
LED Cylinder Up and Down Wall Light



FEATURES

- Made of rugged aluminum alloy with a glass lens
- Projects light in both directions, illuminating the wall above and below
- Durable and suitable for wet locations
- Features a matte black finish and modern design
- Includes a pre-installed dusk-to-dawn light photocell sensor for energy-saving operation by turning off lights during daytime

DIMENSIONS



SPECIFICATION

Model	VE-CUD-18W3CCTPC
Power	18W
Dimming	Triac Dimmable at 120V only
Input Voltage	AC120-277V
CCT	3000K/4000K/5000K Selectable
CRI	>80
Power Factor	>0.9
Beam Angle	120°
Operating temperature	-4°F~+104°F/-20°C~+40°C
Ingress Protection	Wet
Light Source	1100lm
Sensor Option	Photocell pre-installed
Housing color	Matte Black, Clear Glass
Warranty	5-year limited
Master Box Dimensions	16.73"x15.35"x13.58"
Master Box Weight	22.27 LB
PCS/BOX	6
Lifespan	Maintains at least 70% light output for up to 50,000 hours



LED Cylinder Up and Down Wall Light

INSTALLATION

CAUTION:

Turn off the main power at the circuit breaker before starting the installation to prevent possible injury from electrical shock.

General:

Ensure all electrical connections comply with local and National Electrical Code (N.E.C.) standards. If you're not familiar with proper electrical wiring, seek the services of a qualified electrician.

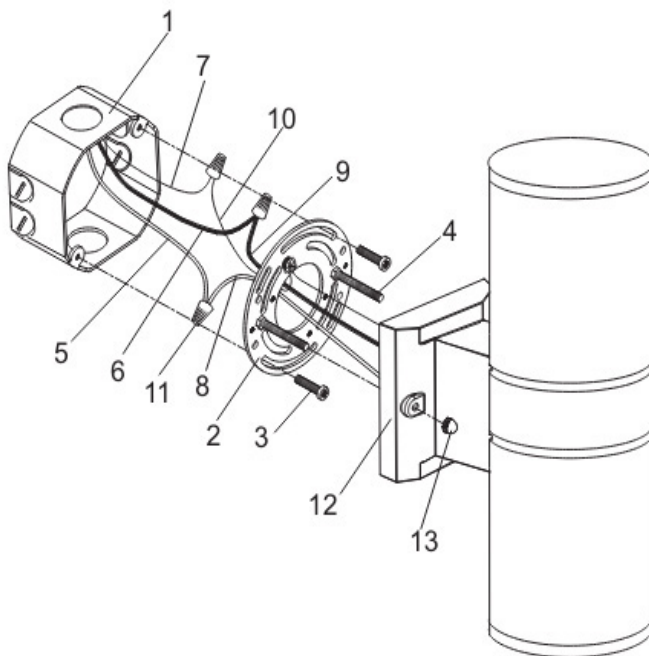
Unpack and inspect the contents of the box. Verify no parts are missing using the illustrations in the installation instructions.

Installation and Assembly:

- 1 Pull the supply wires (5 & 6), and the house ground wire (7) from the outlet box (1). Attach the mounting bracket (2) using the slotted holes and provided mounting screws (3).
2. Connect the power supply wires to the fixture lead wires: black fixture wire (9) to black supply wire (6) and white fixture wire (8) to white supply wire (5) using wire connector (11). Attach the fixture ground wire (10) to the house ground wire (7) on the mounting bracket (2).
3. Tuck all wiring into the outlet box. Align the fixture base (12) over the box (1) so the fixture screws (4) can thread through the base (L).
4. Secure the fixture base (12) with the provided decorative nuts (13). Tighten until secure.
5. Installation is complete. Restore power at the circuit breaker and switch on the light to activate the fixture.

Care and Maintenance :

Use a clean, damp cloth to wipe the surface of the fixture.



1. OUTLET BOX (EXCLUDED)
2. MOUNTING BRACKET
3. MOUNTING SCREWS
4. FIXTURE SCREW
5. WHITE SUPPLY WIRE
6. BLACK SUPPLY WIRE
7. HOUSE GROUND WIRE
8. WHITE FIXTURE WIRE
9. BLACK FIXTURE WIRE
10. FIXTURE GROUND WIRE
11. WIRE CONNECTOR
12. FIXTURE BASE
13. DECORATIVE NUT