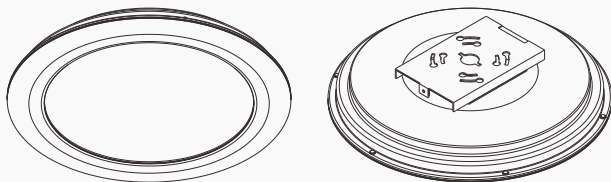
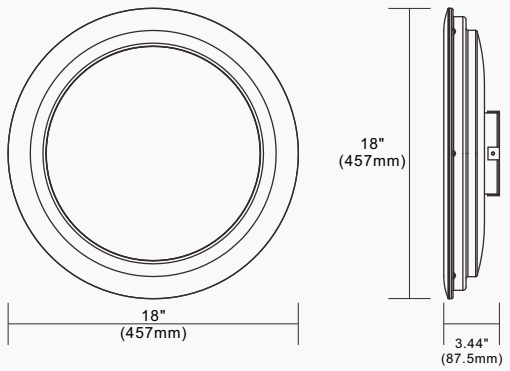




Line Drawing



Dimensions



Product Description:

This new LED Garage Canopy light provides the best in class visual comfort for customers while providing great lumens performance and psychometric performance as well. It is a great choice for customers who are looking to change from the traditional HID lights.

Features:

LISTING

UL and cUL listed for wet locations

HOUSING

Superior heavy duty die cast aluminum construction
aluminum reflector top housing

OPTIONS

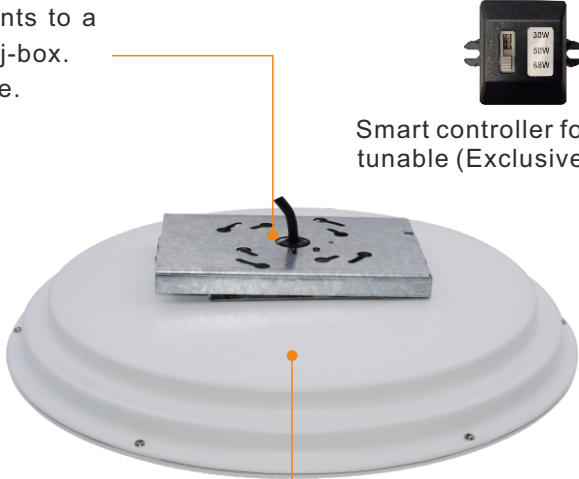
Optional 347VAC with adder
Optional clamp band and flat glass with adder

Product Description:

Innovative quick-mount system. Fixture mounts to a square or octagonal 4" surface or recessed j-box. Optional pendant-mount installation available.



Precisely controlled light performance provide best in class visual comfort as well as highly efficient efficacy.



Smart controller for wattage tunable (Exclusive for 68W)

Five stage chromate-conversion powder paint manufacturing process provide long life and combat against the elements

*Optional multi-dimming occupancy sensing reduces energy loss

Performance Data:

Model No.	Nominal Wattage	Lumens*	Efficacy*
VE-3601-LED	30/50/68W	8990 lm*	131.4 lm/W*
	65/85/108W	13036 lm*	123.6 lm/W*

*Lumen and Efficacy are based on highest wattage 5000K

Specification:

Example: LED-3601VB067HV3730T5ST-XXXXXX

Model No.	Nominal Wattage	Input Voltage	CRI	Color Temp	Option	Finish	Operating Temp
VE-3601-LED	068 = 68W 108 = 108W	HV3=120-347VAC	7=70+	3000K 4000K 5000K	XS=10kv Surge OS=Occupancy Sensor PE=Photocontrol FAO=Smart Controller	BN=Bronze WT=White	-40°C - +40°C



* Different LED Kelvin temperature available with 4-6 week lead time. Please call for a quote.
** DISCLAIMER: This test report was produced in accordance with IES LM-79 photometric testing protocol for luminaires, using a single representative test fixture. Actual production units may vary from the values reported here by up to ±10%.

* Different LED Kelvin temperature available with 4-6 week lead time. Please call for a quote.
** DISCLAIMER: This test report was produced in accordance with IES LM-79 photometric testing protocol for luminaires, using a single representative test fixture. Actual production units may vary from the values reported here by up to ±10%.

