

Model: VE BL46 G100*100mm

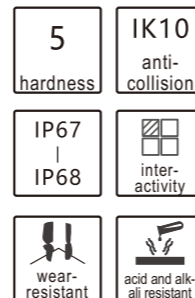
Stone LED Brick 100x100x46mm



Patented product



- Waterproof:** Original triple structure with glue waterproof patent, private mold waterproof connector and reliable waterproof performance, up to IP67-IP68;
- Texture:** Surface texture hardness up to 5°, anti-scratch, anti-wear, acid & alkali resistant, customizable texture and pattern;
- Customization:** Customizable size & shape;
- Interaction:** Interactive induction available, game interaction program implantable, with strong experience feeling;
- Application:** Municipal and commercial squares, garden paths, cultural tourism projects, etc.



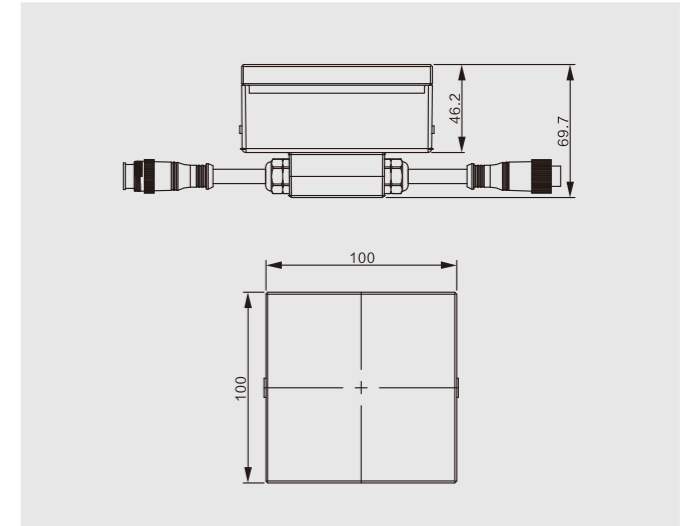
Specification

LED Type : Cree, Osram, Lumileds, Nichia etc.
Input Voltage : 24VDC
Power Rating : 1.3W
Beam Angle : 120°
Color Temperature : White, R, G, B, RGB
Life Span : ≥50000 hrs
Housing : Die-cast aluminum body, high-strength tempered textured glass cover
Dimension : 100x100x46mm
Weight : 0.73kg
Working Temperature : -30°C ~ +65°C
Control : ON/OFF, DMX512
Ingress Protection : IP67
Classification : Class III
Installation: Embedded buried installation (recessed box required)

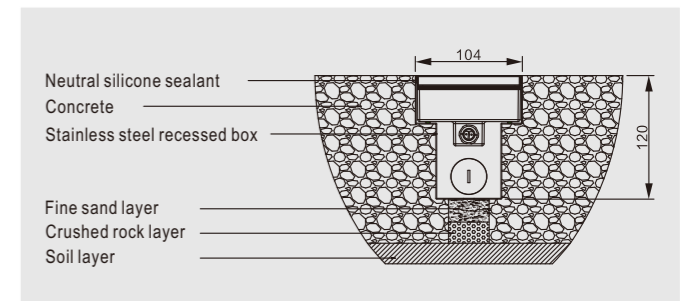
Project Cases



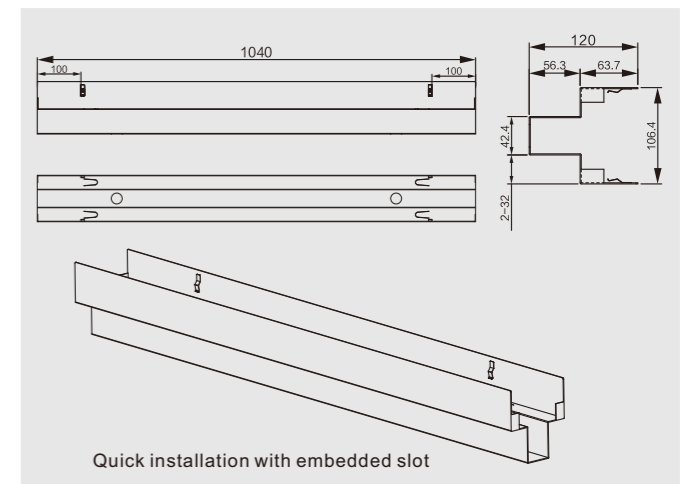
Size



Installation



Recessed box



Fixture Options

Spec	Size	Texture	LED color	Voltage	Power	Control	Other options			
100x100	100x100x46mm	Granite, Caesar Grey, Yellow Granite, Red Granite, etc	White, R, G, B, RGB	24VDC	1.3W, 3W	ON/OFF, DMX512	With induction	Drive over	Stainless steel; Die-cast aluminum	Continuous connection in series

* The contents and parameters of this product are for informational purposes only, subject to change without any notice, please refer to real product, our company reserves the final interpretation.