

Up/Down Linear - Square Pendant



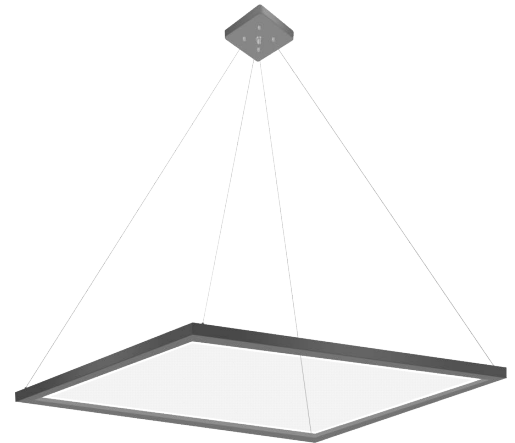
ValueEngineeredLighting
ARCHITECTURAL LIGHTING PRODUCTS

Pendant | Architectural LED Linear Luminaire

Up/down square linear delivers an aesthetic, stylish architectural solution which creates stunning forms only 1.5" high. It combines clean lines and thin, square forms to enhance the decor. Appealing diffuse light is spread over entire surface area of one-piece lens ensuring balanced luminance and visual comfort. The unique design is nearly transparent luminaire when off and excellent uniformity and efficiency when on, reaching 55% downlighting and 45% uplighting distribution, making the illusion of the light floating in mid-air. It is perfect for applications that include conference rooms, open offices, retail settings, anywhere you want to make a statement.

Features

- Square semi-transparent optics
- CCT adjustable 3000K/ 3500K/ 4000K
- Wattage selectable
- 100lm/w, 12"x12" and 24"x24" options
- 55% downlight and 45% uplight distribution
- External driver with 1-10V dim, 10% and 1% options



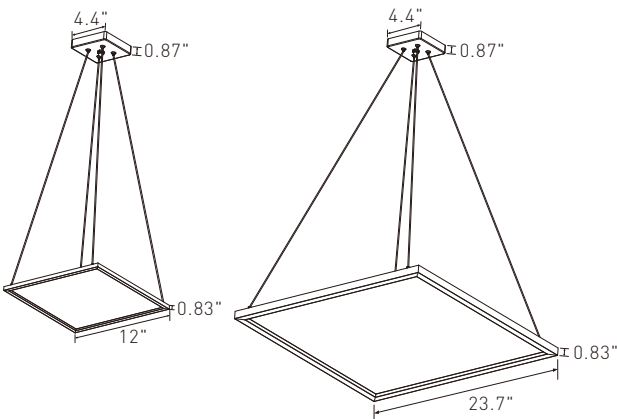
PERFORMANCE

Dimension	Wattage Selectable	Efficacy	Lumens
12"x12"	20W/15W/10W	100lm/w	Up to 2000lm
24"x24"	50W/40W/30W	100lm/w	Up to 5000lm

All efficacy is ±5% base on different CCT. Check the IES file to gain the accurate data .



DIMENSIONS



STRUCTURE

► Optics

High precision light guide made of PMMA material, allows distribution of controlled light to create 45% uplight, 55% downlight light distribution.

► Finish

Extruded aluminum housing.
Powder coat black finish is standard. Optional white or custom.

► Electrical

Driver	External, class 2, high efficiency LED driver.
Dimming	Standard constant current electronic driver with 1-10V dimming, 10% and 1% optional. Tested Dimmers (1%): LEVITON DD710, LUTRON NTSTV-DV, LEGRAND RH4FBL3PTC, LUTRON DVSTV, LEVITON IP710.
THD	<20%
Power Factor	>0.9
Input Voltage	110-277V Standard .110-347V * optional

► LED System

CRI	Minimum 80 color rendering index
CCT	CCT adjustable from 3000K, 3500K and 4000K with a great color consistency.
LED	Life minimum 50,000h with 87.8% of lumen maintenance in 25°C ambient temperature, in compliance with IES LM-80 testing measurements.
Thermal Management	Aluminum housing acting as the heat sink to maximize life.
Environment	Damp rated in operating ambient temperatures of -20~40°C.

► Mounting

Pendant-Dry ceiling or T-Grid ceiling compatible. Cable lengths of 8ft is standard, 12ft or others are available.

► Approvals

- cULus listed for damp locations
- 5 years limited warranty

► Optional Function

Emergency Option



Optional low voltage 8W emergency LED driver EM-L0854-LBF can be provided. When AC power fails, it immediately switches to the emergency mode, operating for lighting up to 120 minutes. When AC power is restored, it automatically returns to the charging mode which meets critical life-safety lighting requirements. For more info or spec sheet, please visit our website or contact sales.

Emergency Lumen Output:

FIXTURE EFFICACY	OUTPUT POWER 8W
100lm/w	800 Lumens

PRODUCT ORDERING GUIDE

Sample

VDS - TW 24
1 2 3

VDS - TW
1 2 3

1. Length & Wattage

UDS Up/down square linear series

2. CCT

TW CCT Adjustable 3000K, 3500K, 4000K

3. Dimension

12 12"x12"
 24 24"x24"

OPTIONAL ORDERING GUIDE

Ceiling Type

- Dry Wall (Mount to J-box)
- Drop Ceiling Clips (Suitable for 9/16" and 15/16" Flat Ceiling)
- Drop Ceiling Clips (Suitable for 9/16" Slot Ceiling)
- Drop Ceiling Clips (Suitable for 15/16" Slot Ceiling) *

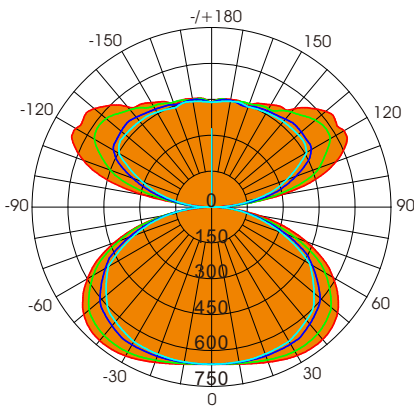
Optional Function

LED Emergency Driver (Order Separated)

*Additional cost and/or lead time on customized fixtures may apply. Some fixtures require an MOQ. Please contact your sales rep for more information.

DISTRIBUTION DIAGRAM

24"X24"/45% Up,55% Down/ 3000K



Test Number: UDS-TW-22
 Lumens: 5385 Lm
 Watts: 51.68 W
 LPW: 104.19 Lm/W
 CCT: 3000K

UNIT: cd
 — C0/180, 360°
 — C30/270, 360°
 — C60/240, 360°
 — C90/270, 360°

Zonal Flux Diagram

τ	C0	C45	C90	C135	C180
5	659.2	657.8	656.7	658.1	659.2
10	666.2	661.0	656.7	661.7	666.5
15	676.7	665.7	656.5	667.1	677.2
20	689.8	671.6	653.8	673.8	690.6
25	704.3	675.2	650.8	678.4	705.6
30	716.3	676.6	647.8	680.9	718.5
35	722.7	675.3	632.5	681.2	726.8
40	721.9	668.3	617.2	676.0	728.2
45	711.9	645.4	599.1	654.3	720.0
50	687.2	615.8	559.0	625.2	697.5
55	643.9	577.8	516.1	587.1	657.1
60	585.3	513.9	473.3	523.0	559.6
65	514.2	441.7	389.8	451.4	527.7
70	419.4	357.3	306.4	364.5	431.7
75	314.8	261.7	223.9	264.4	322.5
80	193.0	167.2	149.6	167.9	192.7
85	58.09	84.03	76.30	85.15	49.39
90	1.092	2.997	2.993	2.758	1.065
95	65.96	120.7	92.26	124.4	47.23
100	294.4	239.6	181.5	245.4	283.9
105	450.6	332.5	268.1	338.4	459.8
110	552.1	416.7	333.5	423.6	569.3
115	619.1	482.3	396.2	491.5	639.8
120	639.5	510.3	458.9	516.6	657.0
125	630.8	519.9	472.3	525.6	652.1
130	623.1	528.2	471.6	536.4	640.5
135	585.0	511.6	469.2	518.3	601.7
140	536.2	488.8	466.8	496.8	546.8
145	510.5	482.1	461.9	490.1	523.8
150	494.4	470.1	456.8	474.8	504.4
155	478.0	461.1	451.7	467.4	486.6
160	450.5	458.7	446.5	463.3	456.1
165	458.7	447.9	453.0	450.9	464.6
170	456.7	451.4	448.8	455.2	460.6
175	454.4	452.1	443.2	452.5	456.4
180	437.7	437.7	437.7	437.7	438.1
DEG	LUMINOUS INTENSITY:cd				

Zonal Lumens

τ	φ total
0-5	15.72
5-10	62.92
10-15	141.7
15-20	252.1
20-25	393.7
25-30	565.8
30-35	766.5
35-40	992.3
40-45	1239
45-50	1499
50-55	1764
55-60	2023
60-65	2266
65-70	2477
70-75	2645
75-80	2767
80-85	2838
85-90	2861
90-95	2888
95-100	2977
100-105	3128
105-110	3326
110-115	3555
115-120	3803
120-125	4051
125-130	4285
130-135	4499
135-140	4690
140-145	4855
145-150	4997
150-155	5116
155-160	5213
160-165	5288
165-170	5342
170-175	5374
175-180	5385
	UNIT: lm

Luminance cd/(m2)

G(DEG)	C0/180	C90/270
85	18514	24318
80	30870	23932
75	33781	24034
70	34061	24883
65	33798	25623
60	32518	26294
55	31181	24997
50	29699	24157
45	27965	23535