

# VICED466S, VDLED466S

LED 4.5" IC and Non-IC, Square Architectural Downlight



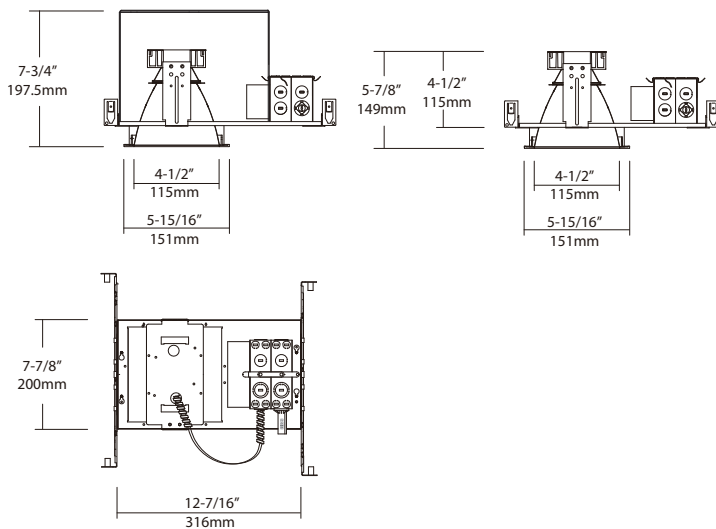
Test Specification			
LED Quantity	1EA (COB)		
Input Voltage	120-277 VAC		
Wattage (+/-5%)	<b>14W</b>	<b>23W</b>	<b>30W</b>
Lumen (+/-5%)	941	1,515	2,014
Efficacy (LPW) (+/-5%)	67.2	65.9	67.1
Luminaire Beam	54°	54°	54°
CCT (Color +/-5%)	2700K, 3000K, 3500K, 4000K		
CRI (Typical)	80, 90		
Dimming	0~10V, ELV & TRIAC Optional Lutron Drivers		
LED Module	5 yr or 50K hr		
Environment	Damp Location & *optional Wet Location		

## ICED466S

[IC Rated Housing]

## DLED466S

[Non-IC Rated Housing]

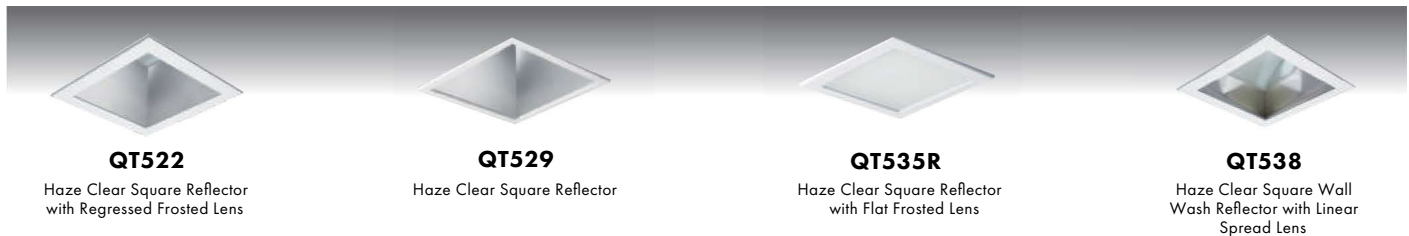


Ceiling Cut-out : 5-1/2" x 5-1/2" (140x140mm)

## Design Features

- 20 gauge 4.5" x 4.5" square aperture housing adjusts ceilings up to 1-1/4" thick.
- Semi-matte diffuse lower reflectors under the upper reflector.
- 60° cut-055 to light source.
- Multiple Trim options available.
- Light engine and driver can be replaceable through aperture below ceiling.
- Universal, 120~277V input, high efficacy drivers with dimming capability by
  - ① a Triac 120V low voltage electronic dimmer switches or
  - ② 0-10V, Triac & ELV dimmer switches.
- Provided listed j-box and adjustable height and multiple channel brackets.
- Optional Lutron Hi-lume A-Series, LED drivers and EcoSystem 5-Series LED drivers are available. Lutron drivers provide flicker-free, smooth, continuous dimming down to 1% for Hi-lume and 5% for EcoSystem. (Contact factory for dimming system requirements)

## Trims



# VICED466S, VDLED466S

4.5" Square Architectural Downlight



## Ordering Information

### Housing

**VICED466S** = IC Housing  
**VDLED466S** = Non-IC Housing

### -Watts

**-14** = 14W  
**-23** = 23W  
**-30** = 30W

### -CRI

**-8** = 80  
**-9** = 90

### Color Temp.\*\*

**27** = 2700K  
**30** = 3000K  
**35** = 3500K  
**40** = 4000K

### Driver\*

**UZTD** = 0-10V, ELV & Triac dimmable  
 (Dimming range varies 1-10%)  
**L1D** = Lutron Hi-lume 1% dimming  
**L5D** = Lutron EcoSystem 5% dimming  
**LTE** = Lutron Hi-lume 1% 2-Wire dimming

\*Option: Emergency

**-EM** = Emergency Battery Backup with  
 Remote Test Switch

### Trim/LED Kit\*

**QT522**  
**QT529**  
**QT535R**  
**QT538**

### -Finishes\*\*

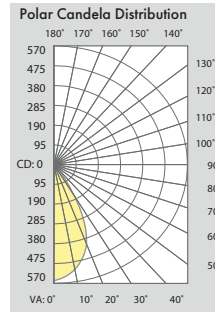
Reflector:  
**-HC** = Haze Clear

Trim:  
**-WH** = White

\*\* Consult factory for other Color Temperatures and Finishes

## PHOTOMETRIC REPORT\*

\* Contact Factory for IES File



	Center Beam FC	Beam Width
2.0ft	656.4 fc	2.0 ft
4.0ft	164.1 fc	4.0 ft
6.0ft	72.9 fc	6.0 ft
8.0ft	41.0 fc	8.0 ft
10.0ft	26.3 fc	10.0 ft
12.0ft	18.2 fc	12.0 ft

Beam Spread: 54°