

LED CANOPY VCP07 Series



ARCHITECTURAL LIGHTING SOLUTIONS



The VCP07, is a cost-effective, energy-saving LED light fixture for surface mount applications in commercial buildings, retail, and educational facilities. Thin design, though, the housing provides excellent heat dissipation which prolongs its lifespan. The precision-designed optical lens reduces glare, improves optical performance and provides comfortable lighting effects. This fixture is equipped with an external quick-mounting plate suitable for standard J-BOX mount and also compatible with 3/4" pendant mount, with 1/2" knock-out holes reserved on three sides, suitable for surface conduit wiring installation. It also has high return benefits, it supports 4 lumen package selectable (100%, 80%, 60%, 40%); and Three CCTs selectable (3000K, 4000K, 5000K).



60W



110W

SPECIFICATION FEATURES

Construction

- One-piece die-cast aluminum housing secures the thermally conductive LED panel and electrical chamber.
- Casting thermally conducts LED heat to optimize performance and long life.
- With corrosion-resistant powder coating that provides protection and architectural appearance while adapting well to the environment in the garage.

Optics

- Light engines are available in color tunable version, the CCT can be changed to 3000K/4000K/5000K.
- Scalable Lumen Packages from 3,700 to 16,500 Lumens.
- Anti-UV prismatic translucent lens is designed to shape the light distribution and uniformity.

Electrical

- Universal 120-277 or 120-347 VAC input voltage.
- Adjustable lumen output with four lumen settings 100%, 80%, 60%, 40%.
- 0-10V Dimming.
- Both drivers have a power factor >90%, THD <20%.
- Operating Temperature Range: -40°C to 40°C (-40°F - + 104°F).

Note: Operating with emergency battery temperature range: 10°C to 40°C (+50°F - + 104°F).

Controls

- Optional PIR sensor.
- Optional Emergency Battery.

Lifespan

- Estimated 50,000-hour LED lifespan based on IES LM-80 results and TM-21 calculations.

Warranty

- Five-year limited warranty.

Certifications



- UL cUL wet location listed.
- DesignLights Consortium™ Qualified.

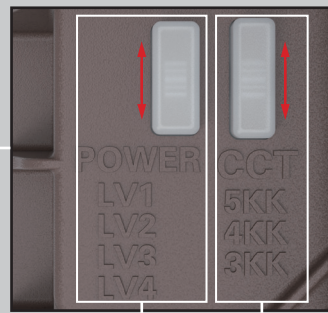
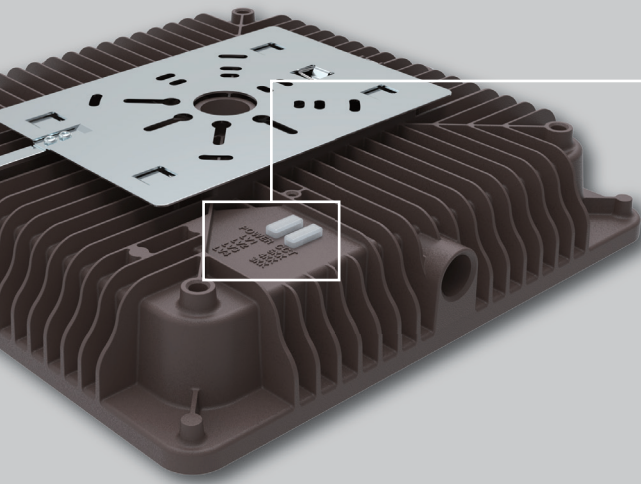
Note: Please refer to the DLC website for specific product qualifications at www.designlights.org.

Note

- Actual performance may differ as a result of end-user environment and application. All values are design or typical values, measured under laboratory conditions at 25°C(±5°C) specifications subject to change without notice.

ACCESSORIES (Optional)

		
<p>Emergency Battery Backup Description: 5W 800lm 90min</p>	<p>PIR Sensor, 120-277V Description: External sensor can be pre-installed in factory or field installed.</p>	<p>Microwave Sensor, 12V Description: Sensor can be built-in fixture.</p>



CCT AND WATTAGE SELECTABLE

This fixture has the function of adjusting the lumens output and color temperature on-site.

WATTAGE SELECT

40% 60% 80% 100%

Each model supports 4 positions wattage regulation: 100%, 80%, 60%, 40%

CCT SELECT

3000K 4000K 5000K

Offer three CCT adjustable (3000K, 4000K, 5000K).

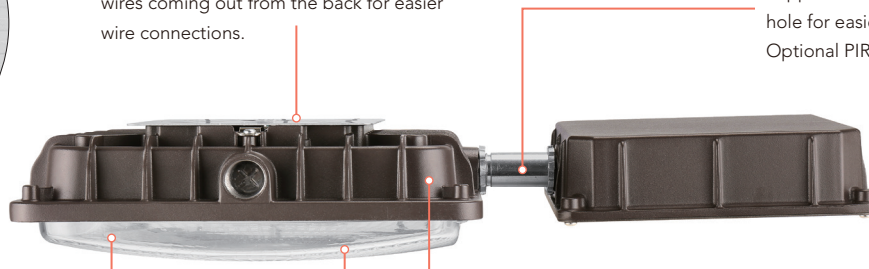


Mounting Bracket

Suitable for J-BOX mounting, and easy for installation, also support pendant mounting, wires coming out from the back for easier wire connections.

1/2inch knock hole

Support wires coming from the hole for easier wire connections. Optional PIRsensor and Emergency Battery.



Built in sensor

Microwave sensor, compact sized, DC input, and remote control. Optional daylight function with sensitive sensing when detect movement.

Photometry

Parking Garage Photometry and polycarbonate optical lens with heat resisting.

Housing

One piece die cast housing better waterproofing, suitable for both indoor and outdoor application.

PERFORMANCE DATA

VCP0760W							
SETTING	SETTING WATTS	3000K		4000K		5000K	
		LUMENS	LPW	LUMENS	LPW	LUMENS	LPW
100%	60W	7800lm	130 lm/W	8400lm	140 lm/W	8000lm	133 lm/W
80%	47W	6500lm	138 lm/W	7000lm	149 lm/W	6600lm	140 lm/W
60%	36W	5200lm	144 lm/W	5600lm	156 lm/W	5300lm	147 lm/W
40%	24W	3700lm	154 lm/W	4000lm	167 lm/W	3800lm	158 lm/W

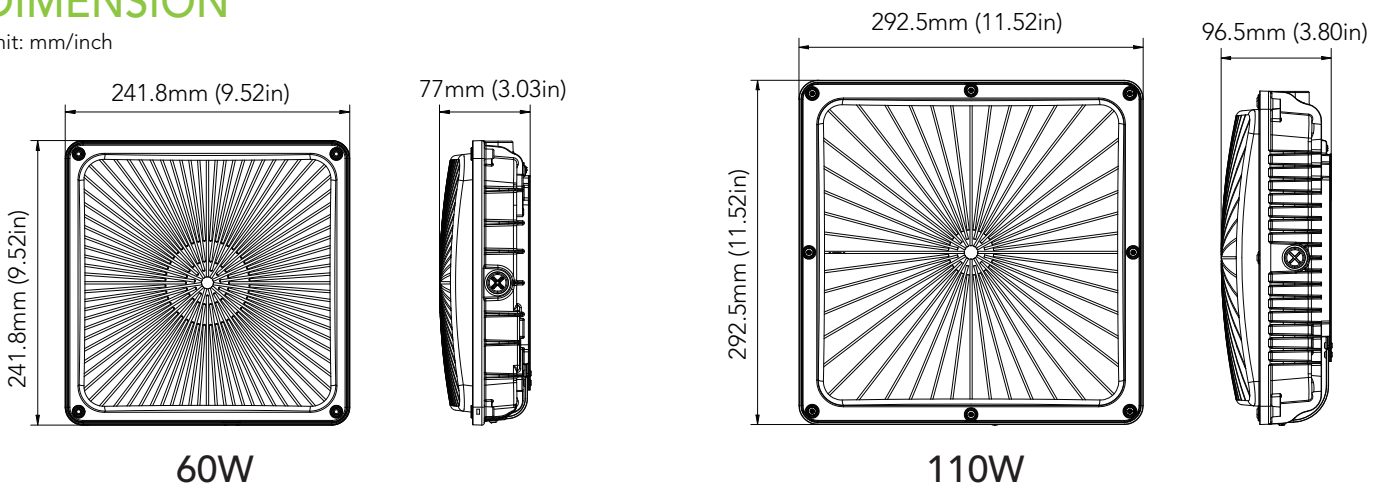
VCP07110W							
SETTING	SETTING WATTS	3000K		4000K		5000K	
		LUMENS	LPW	LUMENS	LPW	LUMENS	LPW
100%	110W	15500lm	141 lm/W	16500lm	150 lm/W	16000lm	145 lm/W
80%	85W	12800lm	151 lm/W	13600lm	160 lm/W	13000lm	153 lm/W
60%	63W	9800lm	156 lm/W	10500lm	167 lm/W	10000lm	159 lm/W
40%	41W	6800lm	166 lm/W	7200lm	176 lm/W	7000lm	171 lm/W

ELECTRICAL DATA

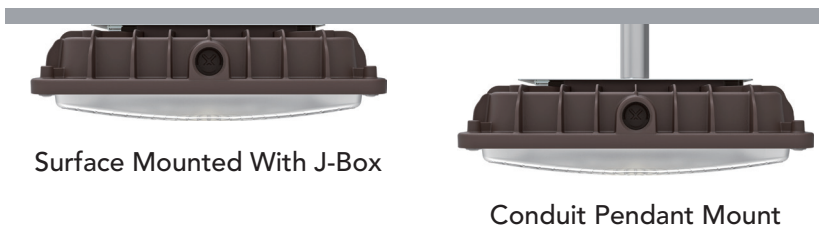
NUMBER OF DRIVERS	DRIVER CURRENT (mA)	NOMINAL POWER (W)	INPUT VOLTAGE (V)	CURRENT (Amps)
1	900	60	120	0.50
		60	208	0.29
		60	240	0.25
		60	277	0.22
		60	347	0.17
1	850	110	120	0.92
		110	208	0.53
		110	240	0.46
		110	277	0.40
		110	347	0.32

DIMENSION

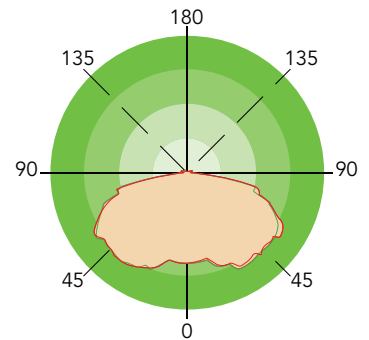
unit: mm/inch



MOUNTING



PHOTOMETRICS



ORDERING GUIDE

Example: VCP07 60W 27V DDK YYYYYY

Fixture Type	Wattage	Voltage	CCT	Finish	Photocell (Option)	Sensor (Option)	Emergency Battery (Option)	Surge Protector(Option)	CCT and Power Adjustable	Internal Code
VCP07 Canopy Series	60W 110W	27V 120-277V 34V 120-347V	DDK ¹ Adjustable color temperature	D Dark Bronze B Black W White	P With Photocell Blank Without Photocell	M With Sensor Blank Without Sensor	B ² Emergency Battery Blank Without Emergency Battery	S With Surge Protector Blank Without Surge Protector	AD ¹ With Adjustment Dial Blank Without Adjustment Dial	Blank Alphanumeric

Note: 1. CCT and power adjustable.
2. Battery only suitable for 120-277V.