

# LED Recessed Canopy Light



## FEATURES & SPECIFICATIONS

**APPLICATION** — The high performance luminaire is designed for petroleum station canopy applications where long life, low maintenance, and consistent color rendering is required. All areas with limited accessibility due to fixture location or where heavy pedestrian or vehicle traffic makes maintenance difficult are ideal applications such for this fixture.

**CONSTRUCTION** — The heavy duty housing is constructed of cast aluminum. The optical assemblies are sealed in place using a silicone gasket for weather tight protection.

**FINISH** — A Super Durable Polyester powder coat finish is electrostatically applied in our state of the art paint facility. Standard colors available: White. Custom colors available upon request.

**OPTICAL SYSTEM** — Light is directed through a clear, flat tempered glass lens providing a uniform and symmetrical light pattern.

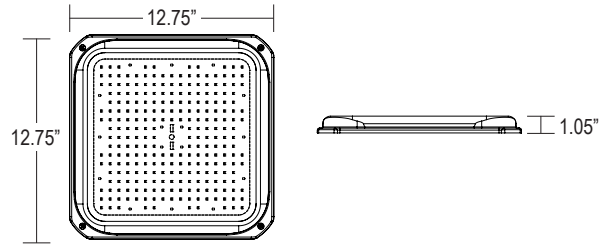
**ELECTRICAL SYSTEM** — Available in 5000K Cool White (+/- 150K) color temperatures propagated with Philips Lumileds LUXEON® 3030 LED's. Minimum 80 CRI. Available with 90-300V 50/60 Hz Class II power supply. LED's rated over 50,000 hours (TM21 Calculated L70) at 25°C ambient temperature with available 1400mA operation. Lumen Maintenance >97% at 50K hrs. 347V and 480V input options available. Standard 0-10V dimming. Driver provided with integral 4kV surge protection that meets IEEE C62.42.2-2002. Optional 10kV Surge Suppressor available (see accessories). Built-in Active PFC Function. LED Power Supply conforms to UL1310 Class 2 and UL8750 standards and is IP67 rated for wet locations.

**MOUNTING** — The fixture is easily installed by one person. It may be mounted into a 12" or 16" deck pan. Nominal 1" hole deck penetration needed for new installation. NOTE: IT IS THE CUSTOMERS' RESPONSIBILITY TO VERIFY ADEQUATE PLENUM SPACE IS AVAILABLE FOR INSTALLATION.

**LISTINGS** — ETL listed for wet locations (IP64). Meets US and Canadian safety standards. -40°C to 40°C ambient operation. RoHS Compliant.



## GEN 2 LED Petroleum Canopy VCL2PC SERIES



Series	Housing Height	Length & Width
VCL2PC	1.05"	12.75" x 12.75"

## ORDERING INFORMATION

Choose the bold face options for the appropriate luminaire configuration for your application and enter on the line above each fixture attribute. Accessories may be factory installed, depending on the particular accessory chosen, but still be ordered as a separate line item.

VCL2PC						
Series	Mounting	Color Temp	Lens	Drive Current	Voltage	Finish
<b>VCL2PC</b>	<b>N</b> New Installation	<b>CW</b> Cool White (5000K)	<b>G</b> Flat Tempered Glass Lens	<b>F</b> 1400mA Driver	<b>1</b> Multi-Volt <sup>1</sup> <b>2</b> 480V <b>3</b> 347V	<b>WH</b> White <b>SP</b> Special <sup>2</sup>

Example: **VCL2PCNCWGH1-WH**

### Accessories (Order as separate line items)

**BSP3-277-LC<sup>3</sup>** 120V-277V Surge Protector

#### NOTES

- Multi-Volt is an auto ranging power supply from 90V to 300V input.
- Custom RAL color matching is available. Contact your Techlight sale representative for additional information.
- Specify whether the surge suppressor is to be factory installed in the fixture or field installed on each circuit.

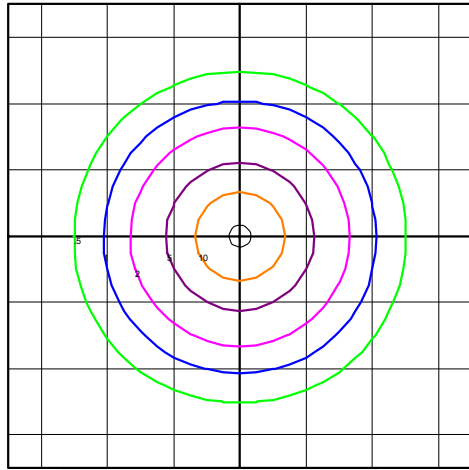
# VCL2PC GEN 2 LED Petroleum Canopy

## PHOTOMETRICS

### IES INDOOR REPORT PHOTOMETRIC FILE NAME: L2PCNCWGF1

1400mA, Cool White, Clear  
Flat Glass Lens

145W L2PC Canopy  
Color Temperature: 5,000 K



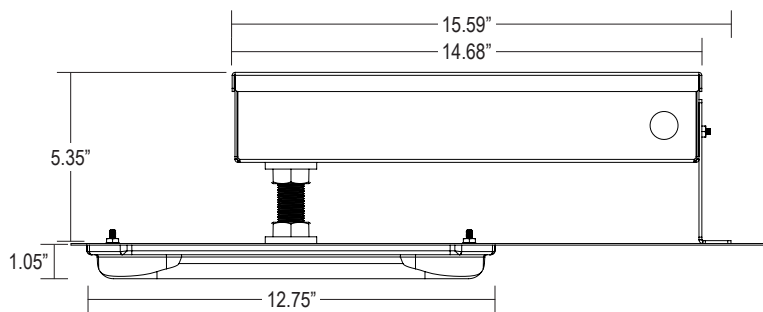
TECHLIGHT  
L2PC-S-CW-G-F  
PETROLEUM CANOPY  
MID-POWER LEDS

Horizontal Footcandles  
Scale: 1 Inch = 15 Ft.  
Light Loss Factor = 1.00  
Lumens Per Lamp = N.A. (absolute photometry)  
Luminaire Lumens = 15981  
Mounting Height = 18.00 Ft  
Maximum Calculated Value = 17.27 Fc  
Arrangement: Single

## LED CHARACTERISTICS

Drive Current	Color Temp	Delivered Lumens	System Wattage	L70 @ 25°C	Amperage Draw			
					120V	208V	240V	277V
1400 mA	CW	15980	145W	> 50K	1.21 A	0.70 A	0.61 A	0.53 A

## ADDITIONAL FIXTURE DIMENSIONS



**WARNING:** Maintenance performed including the replacement of LED bricks while power is still supplied to the luminaire may result in system failures and will void the warranty.