



## DESCRIPTION

Premium 3CCT Color Tunable Option with Durable white Iron body & frosted lens. 100% Mercury & Lead Free.

## APPLICATIONS

Ideal for lighting offices, schools, hospitality, healthcare & other industrial applications. Easy to install, Snap-On lens, and improved aesthetics.



### QUICK SHIP:

- VCB-20W-22-XX-ZZ-C
- VCB-30W-22-XX-ZZ-C
- VCB-30W-24-XX-ZZ-C
- VCB-40W-24-XX-ZZ-C



### Specification Features

#### Controls / Dimming

High quality isolated driver; 0-10V dimming; Flicker free. 3CCT Color Tunable, Optional Motion Sensor, Time & Lumen Settable.

#### Warranty

7 Years Limited Warranty. See warranty documentation for more information.

#### Certification

It complies with UL & cUL certification, DLC Premium Listed. IP20 Rated.

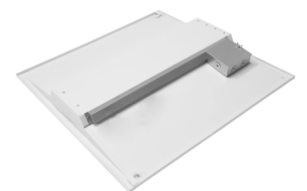
#### Installation / Mounting

Luminaire installs in Lay-in T-Bar Grid or Drop-In Ceiling Mount or Surface Mount install. Beam angle is  $\geq 150^\circ$ . Instant start w/NO humming.

## Ordering Information

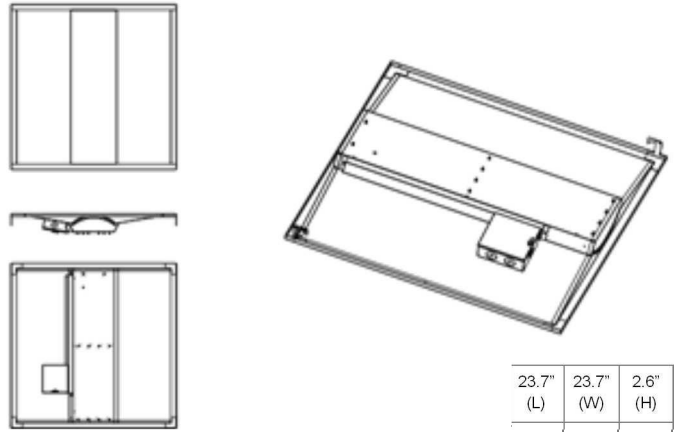
Example: vCB-40W-24-XX-ZZ-C

TROFFER	30	24	X	X	ZZ	Y	
Series	Nominal Wattage		Size	Dimming	Sensor	CCT Options	Version
VCB Series	<b>20</b>	20 Watt	<b>22</b>	<b>D</b> Dimming	<b>P</b> Sensor	<b>3 CCT Color (Default)</b> 35 3500K 40 4000K 50 5000K	It can be A,B,C,D. Now it is C.
TechnoLED	<b>30</b>	30 Watt	24inch * 24inch 2x2	<b>N</b> Non-Dimming	<b>N</b> No-Sensor		
Center Basket Troffer	<b>40</b>	40 Watt	<b>24</b>				
	<b>50</b>	50 Watt	24inch * 48inch 2x4				
<b>[OPTIONS]</b>							
<b>EM</b> Emergency Battery Backup 90 Min.							
<b>SFM Kit</b> Surface Mounting Kit							



### Lighting Parameters

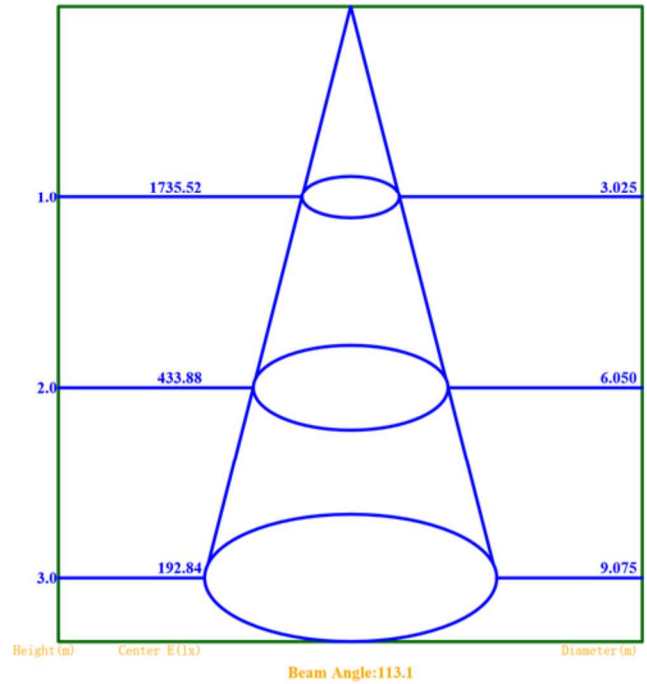
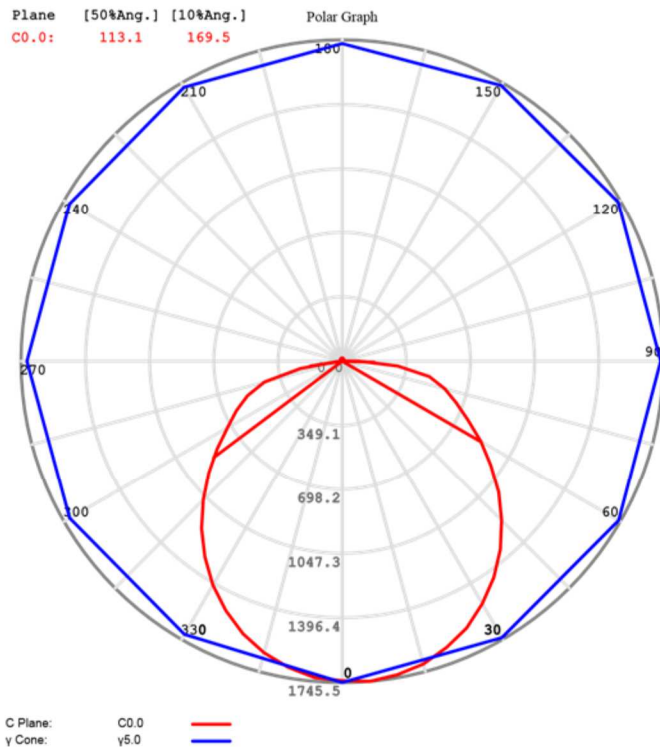
Input Voltage	AC120-277V
CCT	3500K / 4000K / 5000K
CRI	Ra>80
Luminous efficacy	125lm/w
PF	>0.90
Driver Efficiency	87%
THD	15%
Working temperature	-20°C~ +45°C
Storage temperature	-20°C~ +50°C
IP Rating	IP20 Rated



23.7" (L)	23.7" (W)	2.6" (H)
23.7" (L)	23.7" (W)	2.6" (H)
47.6" (L)	23.7" (W)	2.6" (H)

### Photometric data

2' x 4' Troffer 40W 5000K



### Product Information

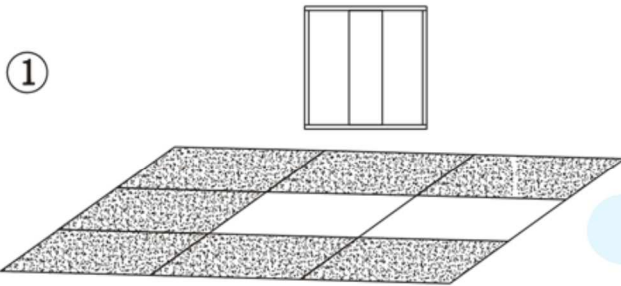
Model	Description	Watt	Lumens	Voltage	THD	PF	Beam Angle
VCB-20W-22-XX-ZZ-C	LED Troffer	20	2,500	120-277	≤15%	>0.9	>150°
VCB-30W-22-XX-ZZ-C	LED Troffer	30	3,750	120-277	≤15%	>0.9	>150°
VCB-40W-22-XX-ZZ-C	LED Troffer	40	5,000	120-277	≤15%	>0.9	>150°
VCB-30W-24-XX-ZZ-C	LED Troffer	30	4,100	120-277	≤15%	>0.9	>150°
VCB-40W-24-XX-ZZ-C	LED Troffer	40	5,000	120-277	≤15%	>0.9	>150°
VCB-50W-24-XX-ZZ-C	LED Troffer	50	6,250	120-277	≤15%	>0.9	>150°

## Packing Information

Model	Outer Carton Size (L×W×H)	Qty/Carton (pcs)	N.W./Ctn (lbs)	G.W./Ctn (lbs)
VCBT2-22-20/30/40 XX ( 2' x 2')	26.2" x 25.4" x 3.15"	1	6.17 lbs.	8.27 lbs.
VCBT2-24-30/40/50 XX ( 2' x 4')	49.4" x 26.2" x 3.15"	1	11.91 lbs.	14.73 lbs.

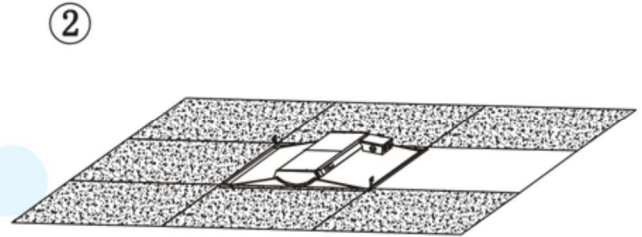
## Installation Instructions

Please read the instructions carefully before installation



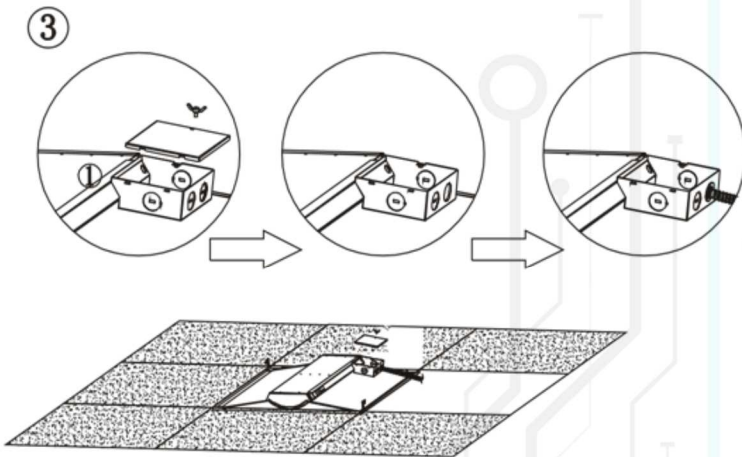
①

Step 1. Remove two boards.



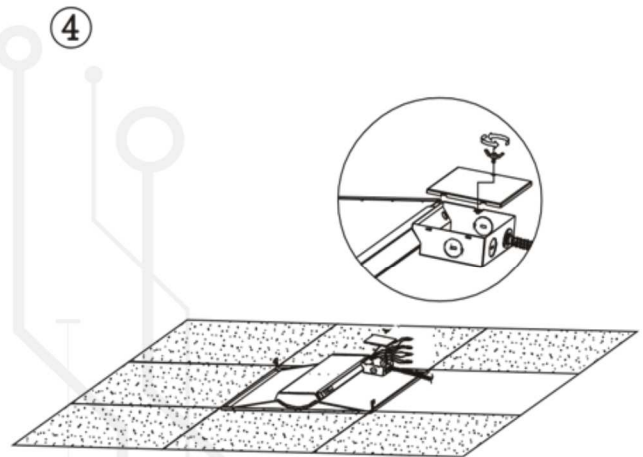
②

Step 2. Put the lamp on ceiling.



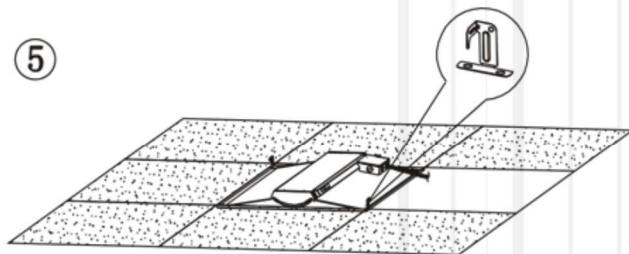
③

Step 3. Open the cover of junction box; Knock off the piece of side and let the wire conduit through junction box.



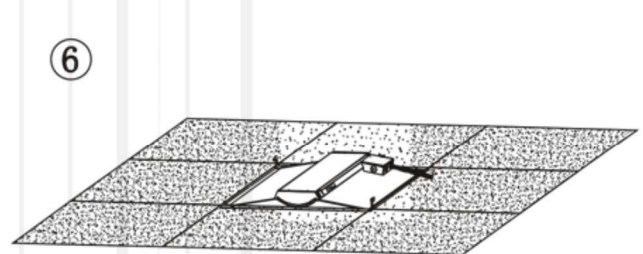
④

Step 4. Connect the wires with P2, Refer to wiring diagram as below.



⑤

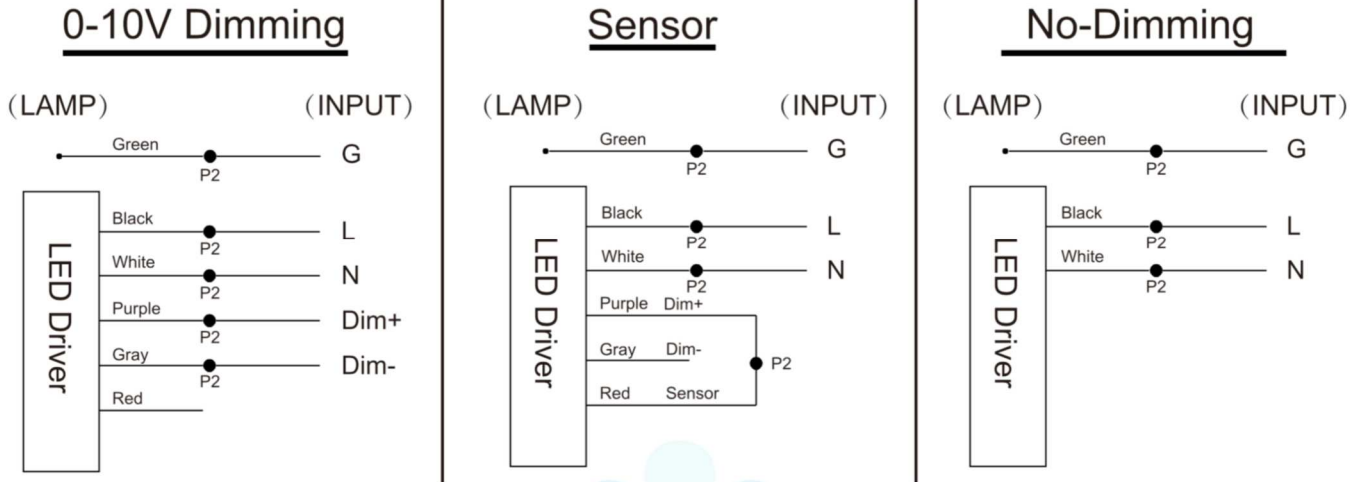
Step 5. Lock the lamp on framework.



⑥

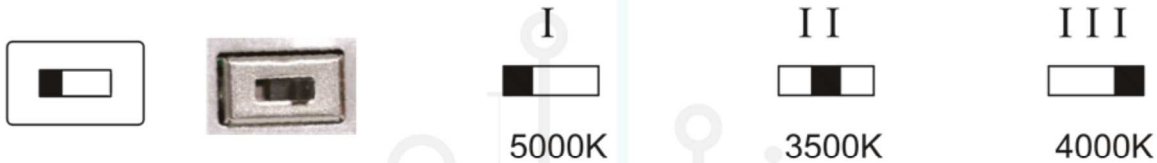
Step 6. Put another board back, check the lamp must be placed firmly.

Wiring Diagram



Troffer CCTs & Sensor Adjustment Instructions

Switch I: CCTs Adjust



Switch II: Sensor Adjust

Sensor ON/OFF	Stand-by DIM Level			Hold-Time	
	1	2	3	4	5
I	ON	ON	10%	I	30s
I	ON	ON	20%	II	2min
I	ON	ON	30%	III	10min
I	ON	ON	50%	IV	30min
II	OFF	OFF	10%	I	30s
II	OFF	OFF	20%	II	2min
II	OFF	ON	30%	III	10min
II	OFF	ON	50%	IV	30min

1 Turn on/off sensor

1	Action
ON	Turns On the Sensor
OFF	Turns Off the Sensor

2 & 3 Stand-by output

2	3	Standby
OFF	OFF	10%
ON	OFF	20%
OFF	ON	30%
ON	ON	50%

4 & 5 Hold time if no new motion trigger

4	5	Hold Time
OFF	OFF	30 sec.
ON	OFF	2 min.
OFF	ON	10 min.
ON	ON	30 min.