

# Kolite Series Recessed LED Downlight | IC | Canless



## Kolite Series Recessed LED Downlight Fixture

### DESCRIPTION

The Kolite Series recessed LED downlights feature deep regressed anti-glare design, delivering premium architectural lighting that enhances luxury spaces with minimal ceiling intrusion. Available in round aperture, the family offers multiple configurations, including a wide range of reflectors, finishes, and beam angles (15°-110° available), delivering precise, high-performance illumination for commercial hospitality, high-end residential, and apartment applications.

The fixture supports universal input voltage (120-277V, 50/60Hz), ensuring compatibility across diverse electrical systems. It is dimmable to 1% via 0-10V, electronic low-voltage (ELV), or Triac drivers. The sealed IP65-rated design protects internal components from water, dust, and debris, making it suitable for indoor or damp locations in remodel and new construction projects.

### OPTICS TECHNOLOGY

OPTICS	15°, 24°, 36°, 60°, 110° Available
ADJUSTABLE	Not Available
MEDIA	No Available

### LED LIGHT ENGINE

RATED WATTAGE	Up to 40W
DELIVERED LUMENS	Up to 4000lm (based on 100lm/w@4000K with high efficacy LED)
CCT/CRI	2700K, 3000K, 3500K, 4000K, 5000K, 5700K 90CRI, 5CCT Selectable
COLOR QUALITY	CRI90+, 3-Step SDCM
LED LIFETIME	55,000 hours @ L90
CCT/CRI HOUSING INSTALLATION	WARM DIM 3000K-1800K, TUNABLE WHITE 3000K-6500K CRI90

- New Construction: Galvanized steel adjustable hanger bars (standard)
- New Construction: Galvanized steel rough-in plate (non-adjustable hanger bars available)
- IC-rated shallow housing for direct contact with insulation
- Ceiling Compatibility: Drywall or T-bar grid (if required)
- Steel junction box with up to 4 x "knockouts for 1/2" conduit electrical pipes
- Remodel installation option available

### POWER SUPPLY

INPUT VOLTAGE	120V/100-277V/100-347Vac @50/60Hz
SERVICABILITY	Below Ceiling Serviceable
DIMMING	Multiple Dimming Drivers Available

### TRIM COLORS



## Product Features

#### Construction

- High performance Die-cast aluminum trim with a wide variety of options.

#### Optics

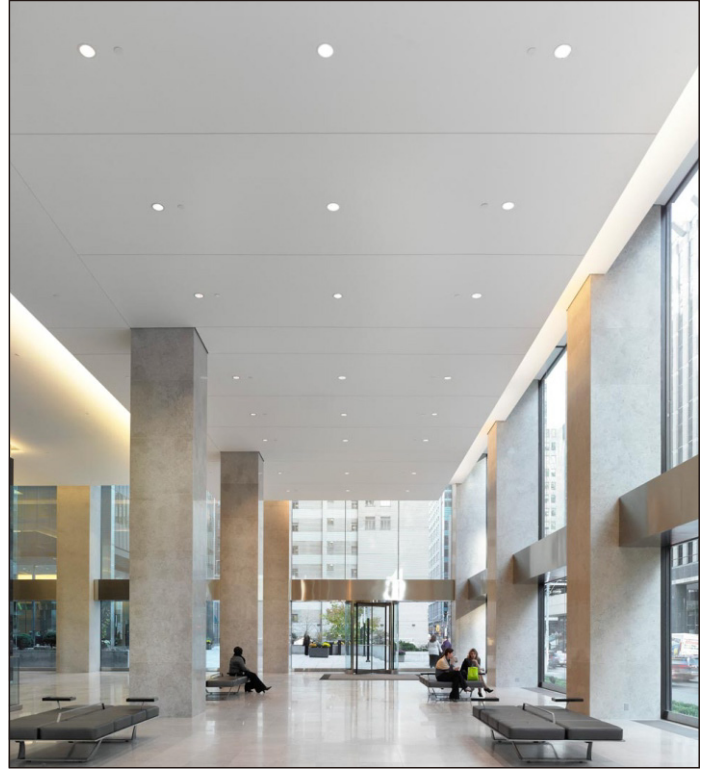
- Precision-crafted optical design ensures consistent luminance through a optical reflector & pmma lens which distribute light evenly and smoothly for general lighting applications

#### LED CHARACTERISTICS

- Color Temperature: Available in dedicated 1CCT/5CCT/Warm Dim/ Tunable White
- Color Index rate: 90 CRI+
- Color accuracy within 3 SDCM at the CCT endpoints, provide color accuracy and uniformity
- Expected Life: L90 at 50,000 hours projected in accordance with TM-21

#### LED Dimming Driver:

- ETL listed 120-volt driver compatible with incandescent, magnetic low voltage and ELV dimming.
- The universal 100V-277V/347V driver with 0-10V dimming.
- Conforms to CSA C22.2 No. 250.0 & UL1598 standards. Phase dimming, Forward 1% & Reversed 5% (120V only) & 0-10V, dim off (Depends on the compatible dimmers)



- INTERIOR REFLECTOR FINISH



MW (Matte White)

HS (Haze Silver)



BB (Baffle Black)

S (Specular)

#### Mounting

- Strong snap-in mounting springs, for the use without junction box or recessed can, quick & easy installation for new constructions/Remodel applications. Recessed, No Housing required.

#### Electrical Power Connections

- UL listed 4-hole quick connectors or Wire nuts provided for mains connections

#### Compliance

- cETLus certified for US and Canada
- Suitable for Indoor Dry/Damp locations
- Contains no mercury or lead and RoHS compliant

#### Warranty

- 5-Year LED Limited Warranty

Warranty does not cover product failure due to an over-voltage event (power surge) For installations where power surge may be possible, we recommend installation additional surge protection at the electrical distribution panel



# Kolite Series Recessed LED Downlight | IC | Canless

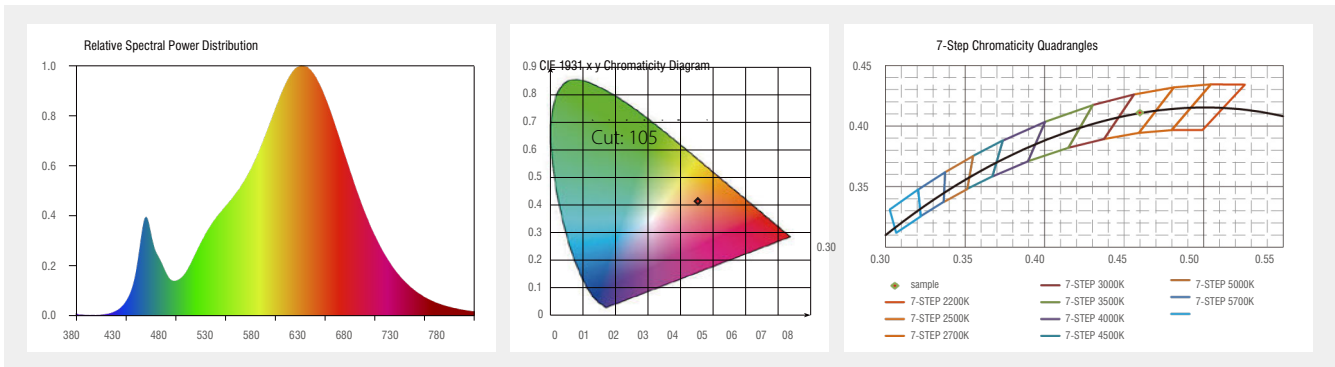
## Kolite Series Recessed LED Downlight Fixture

### ANTI BLUE-RAY

Relieve eye fatigue and effectively protect the eyes. CRI > 90, exempt from damage

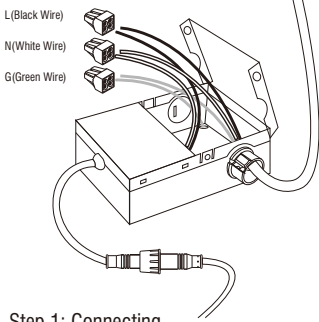


### PHOTOELECTRICITY



### ASSEMBLY INSTRUCTIONS:

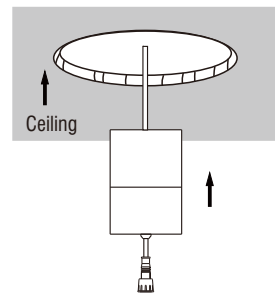
Fig.1



Step 1: Connecting

Using wire nuts, connect green ground wire of cable to green wire on box. Connect white wire of cable to white of box. Connect black wire of cable to black wire of box.

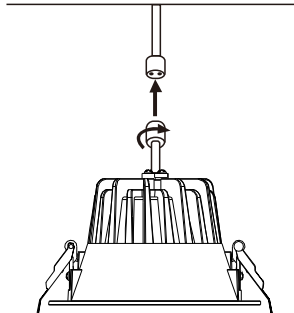
Fig.2



Step 2: Inserting

Insert hardware box through the mounting hole.

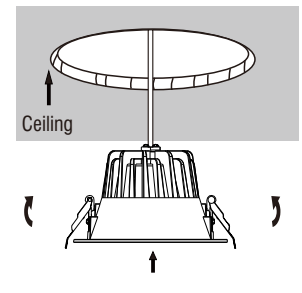
Fig.3



Step 3: Twisting

Connect the fixture to the hardware box by inserting and twisting the male/female connectors.

Fig.4



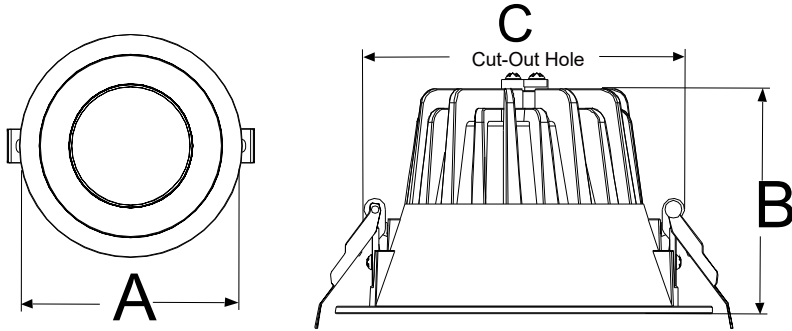
Step 4: Pushing

Push spring loaded clips on the fixture upwards and insert fixture base in to the mounting hole. Release the clips and fixture will be pulled flush to the ceiling.

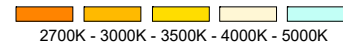


# Kolite Series Recessed LED Downlight | IC | Canless

**SERIES MEASUREMENT: 3"(7W) / 4"(12W) / 5"(18W) / 6"(25W) / 7"(30W) / 8"(40W)**



INDICATE	A	B	C (Cut-Out Hole)
VBR3-K1	Ø:3.54" (90mm)	H: 2.2" (56mm)	Ø:2.95" (75mm)
VBR4-K1	Ø:4.33" (110mm)	H: 2.68" (68mm)	Ø:3.54" (90mm)
VBR5-K1	Ø:5.39" (137mm)	H: 3.23" (82mm)	Ø:4.72" (120mm)
VBR6-K1	Ø:6.5" (165mm)	H: 3.58" (91mm)	Ø:5.51" (140mm)
VBR7-K1	Ø:7.68" (195mm)	H: 4.21" (107mm)	Ø:6.69" (170mm)
VBR8-K1	Ø:9.25" (235mm)	H: 5.0" (127mm)	Ø:7.87" (200mm)



## ORDERING GUIDE

### 3" / 4" / 5" / 6" / 7" / 8" Recessed LED Spot Downlight

CATALOG #

ORDER MATRIX  
REMODEL OR NEW CONSTRUCTION

Order Code	Size	Wattage	CCT & CRI	Distributions	Voltage & Dimming Level	Emergency	Reflector Color	Mounting Options	Accessories
VBR3-K1	3-series 3" rough opening	3" = 8W	27 = 2700K,90 CRI, 30 = 3000K,90 CRI, 35 = 3500 K,90 CRI	OPTICS 110°	Blank = Standard 120Vac, Phase Dimming (Forward/Reverse), Dim to 1%/5%(120V only) 277 = Universal 100-277Vac, 0-10V Dimming to 1%/5%	ST = Standard No Emergency Pack EL = EMBB	MW = Matte White HS = Haze Silver BB = Baffle Black S = Specular	M01 = Flanged Plate With Hanger Bars Model M02 = 26" Flat Rough-In Plates M03= 13" Mounting Plate Flat M04= Universal Mounting New Construction Plate M05= New Construction Housing, IC airtight	EC= Extension Cable P= Plastic C1= Clamp Connector C2= Clamp Connector
VBR4-K1	4-series 4" rough opening	4" = 12W 5" = 18W 6" = 25W	40 = 4000 K,90 CRI 50 = 5000 K,90 CRI		347 = Universal 100-347Vac, 0-10V Dimming to 1%/5%				
VBR5-K1	5-series 5" rough opening	7" = 30W 8" = 40W	5CCT = 2700K-3000K -3500K-4000 K-5000K		DALI = Universal 100-277Vac, Dali Dimming to 1%/5%				
VBR6-K1	6-series 6" rough opening		WD = Warm Dim 3000K-1800K TW = CCT Tunable White, 2700K-6500K		PoE = 12/24Vdc, Constant Voltage Dimming to 100%/5%				
VBR7-K1	7-series 7" rough opening								
VBR8-K1	8-series 8" rough opening								

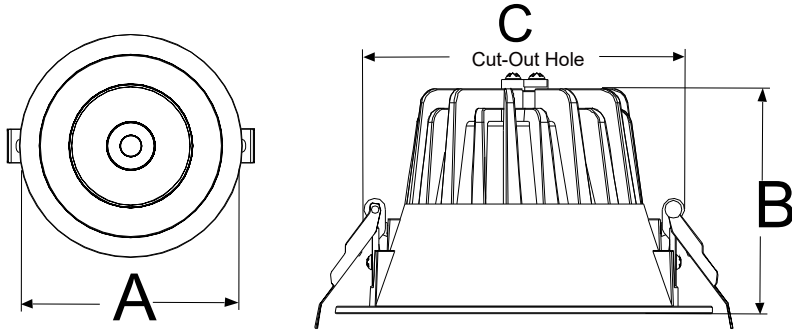
Note: please select the new construction plate size from the accessories kits from page 1 when ordering. (Note: This is for reference only)

<b>MO1</b> <p>Flanged Plate With Hanger Bars Model</p>	<b>MO2</b> <p>26" Flat Rough-In Plates</p>	<b>MO3</b> <p>13" Mounting Plate Flat</p>	<b>MO4</b> <p>Universal Mounting New Construction Plate</p>	<b>MO5</b> <p>New Construction Housing, IC airtight</p>	<b>ST</b> <p>EM Backup LED Driver</p>	<b>EC</b> <p>Extension Cabi</p> <p><b>P C1 C2</b>  <p>Plastic/Clamp Connector</p> </p>
---	---	--	--	--	--	---



# Kolite Series Recessed LED Downlight | IC | Canless

**SERIES MEASUREMENT: 3"(5W) / 4"(10W) / 5"(15W) / 6"(20W) / 7"(30W) / 8"(40W)**



2700K - 3000K - 3500K - 4000K - 5000K

INDICATE	A	B	C (Cut-Out Hole)
VBR3-K2	Ø:3.54" (90mm)	H: 2.2" (56mm)	Ø:2.95" (75mm)
VBR4-K2	Ø:4.33" (110mm)	H: 2.68" (68mm)	Ø:3.54" (90mm)
VBR5-K2	Ø:5.39" (137mm)	H: 3.23" (82mm)	Ø:4.72" (120mm)
VBR6-K2	Ø:6.5" (165mm)	H: 3.58" (91mm)	Ø:5.51" (140mm)
VBR7-K2	Ø:7.68" (195mm)	H: 4.21" (107mm)	Ø:6.69" (170mm)
VBR8-K2	Ø:9.25" (235mm)	H: 5.0" (127mm)	Ø:7.87" (200mm)

## ORDERING GUIDE

### 3" / 4" / 5" / 6" / 7" / 8" Recessed LED Spot Downlight

CATALOG #

ORDER MATRIX  
REMODEL OR NEW CONSTRUCTION

Order Code	Size	Wattage	CCT & CRI	Distributions	Voltage & Dimming Level	Emergency	Reflector Color	Mounting Options	Accessories
VBR3-K2	3" series 3" rough opening	3" = 5W	27 = 2700K,90 CRI, 30 = 3000K,90 CRI, 35 = 3500 K,90 CRI	OPTICS 60°	Blank = Standard 120Vac, Phase Dimming (Forward/Reverse), Dim to 1%/5%(120V only) 277 = Universal 100-277Vac, 0-10V Dimming to 1%/5%	ST = Standard No Emergency Pack EL = EMBB	MW = Matte White HS = Haze Silver BB = Baffle Black S = Specular	M01 = Flanged Plate With Hanger Bars Model M02 = 26" Flat Rough-In Plates M03= 13" Mounting Plate Flat M04= Universal Mounting New Construction Plate M05= New Construction Housing, IC airtight	EC= Extension Cable P= Plastic C1= Clamp Connector C2= Clamp Connector
VBR4-K2	4" series 4" rough opening	4" = 10W 5" = 15W 6" = 20W	40 = 4000 K,90 CRI 50 = 5000 K,90 CRI		347 = Universal 100-347Vac, 0-10V Dimming to 1%/5%				
VBR5-K2	5" series 5" rough opening	7" = 30W 8" = 40W	5CCT = 2700K-3000K -3500K-4000 K-5000K		DALI = Universal 100-277Vac, Dali Dimming to 1%/5%				
VBR6-K2	6" series 6" rough opening		WD = Warm Dim 3000K-1800K TW = CCT Tunable White, 2700K-6500K		PoE = 12/24Vdc, Constant Voltage Dimming to 100%/5%				
VBR7-K2	7" series 7" rough opening								
VBR8-K2	8" series 8" rough opening								

Note: please select the new construction plate size from the accessories kits from page 1 when ordering. (Note: This is for reference only)

<b>MO1</b>  Flanged Plate With Hanger Bars Model	<b>MO2</b>  26" Flat Rough-In Plates	<b>MO3</b>  13" Mounting Plate Flat	<b>MO4</b>  Universal Mounting New Construction Plate	<b>MO5</b>  New Construction Housing, IC airtight	<b>ST</b>  EM Backup LED Driver	<b>EC</b> Extension Cable <b>P C1 C2</b> Plastic/Clamp Connector
--	--	---	---	---	---------------------------------------	---

