

Barton Recessed LED Downlight | IC | Canless



Barton Recessed LED Downlight Fixture

DESCRIPTION

The Barton Series recessed LED downlights adopt deep regressed anti-glare structure, delivering architectural lighting that elevates luxury spaces with minimal ceiling intrusion. Designed in round shape with fixed / Adjustable installation, this series features various reflectors and beam angles from 10° to 38°, providing precise high-performance illumination for commercial hospitality, high-end residential and apartment applications.

The fixture supports universal input voltage (120-277V, 50/60Hz), ensuring compatibility across diverse electrical systems. It is dimmable to 1% via 0-10V, electronic low-voltage (ELV), or Triac drivers. The sealed IP65-rated design protects internal components from water, dust, and debris, making it suitable for indoor or damp locations in remodel and new construction projects.

OPTICS TECHNOLOGY

OPTICS	10°, 15°, 24°, 38° Available
ADJUSTABLE	Adjustable Available
MEDIA	Standard Clear, Frosted or Customized Linear Spread, Hex Louver

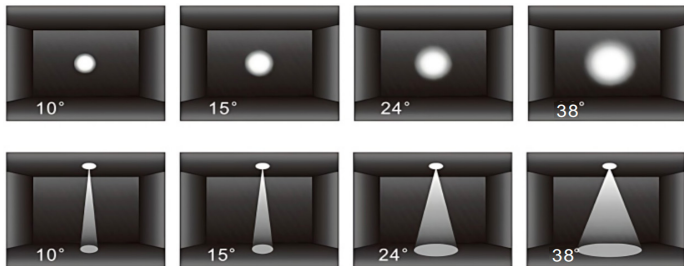
LED LIGHT ENGINE

RATED WATTAGE	Up to 35W
DELIVERED LUMENS	Up to 3000 lm (based on 80lm/w@4000K with high efficacy COB)
CCT/CRI	2700K, 3000K, 3500K, 4000K, 5000K 90CRI, 5CCT Selectable within 18W
COLOR QUALITY	CRI90+, SDCM3
LED LIFETIME	55,000 hours @ L90
CCT/CRI	WARM DIM 3000K-1800K, TUNABLE WHITE 2700K-6500K 90CRI

HOUSING INSTALLATION

- New Construction: Galvanized steel adjustable hanger bars (standard)
- IC-rated shallow housing for direct contact with insulation
- Ceiling Compatibility: Drywall or T-bar grid (if required)
- Remodel installation option available
- Steel junction box with up to 4 x "knockouts for 1/2" conduit electrical pipes
- New Construction: Galvanized steel rough-in plate (non-adjustable hanger bars available)

OPTICS BEAM SPREAD



Product Features

Construction

- High performance Die-cast aluminum trim with a wide variety of options.

Optics

- Precision-crafted optical design ensures consistent luminance through a optical reflector & pmma lens which distribute light evenly and smoothly for general lighting applications

LED CHARACTERISTICS

- Color Temperature: Available in dedicated 1CCT/5CCT/Warm Dim/ Tunable White
- Color Index rate: 90 CRI+
- Color accuracy within 3 SDCM at the CCT endpoints, provide color accuracy and uniformity
- Expected Life: L90 at 50,000 hours projected in accordance with TM-21

LED Dimming Driver:

- ETL listed 120-volt driver compatible with incandescent, magnetic low voltage and ELV dimming.
- The universal 100V-277V/347V driver with 0-10V dimming.
- Conforms to CSA C22.2 No. 250.0 & UL1598 standards. Phase dimming, Forward 1% & Reversed 5% (120V only) & 0-10V, dim off (Depends on the compatible dimmers)



3"-6.5"
High-end LED
Spot Downlight Family

POWER SUPPLY

INPUT VOLTAGE	120V/100-277V/100-347Vac @50/60Hz
DIMMING	Multiple Dimming Drivers Available
SERVICABILITY	Below Ceiling Serviceable

• STANDARD FINISH

- MW (Matte White)
- MB (Matte Black)

• INTERIOR REFLECTOR FINISH

- MW (Matte White)
- MB (Matte Black)
- MS (Matte Silver)

ROUND GIMBAL TRIM

ROUND FIXED TRIM



Mounting

- Strong snap-in mounting springs, for the use without junction box or recessed can, quick & easy installation for new constructions/Remodel applications. Recessed, No Housing required.

Electrical Power Connections

- UL listed 4-hole quick connectors or Wire nuts provided for mains connections

Compliance

- Contains no mercury or lead and RoHS compliant
- cETLus certified for US and Canada
- Suitable for Indoor Dry/Damp locations

Warranty

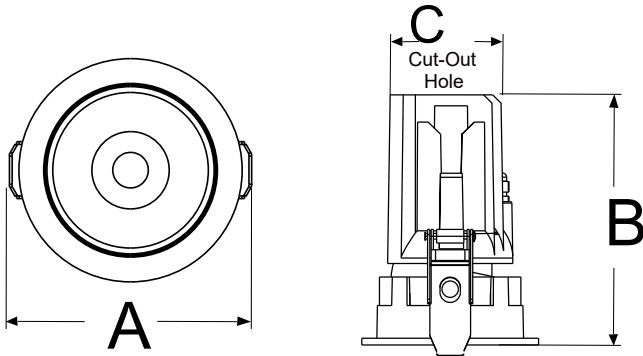
- 5-Year LED Limited Warranty

Warranty does not cover product failure due to an over-voltage event (power surge) For installations where power surge may be possible, we recommend installation additional surge protection at the electrical distribution panel



Barton Recessed LED Downlight | IC | Canless

SERIES MEASUREMENT: 3"(12W)/4"(18W)/5"(23W)/6"(30W)/7"(33W)



2700K - 3000K - 3500K - 4000K - 5000K

INDICATE	A	B	C (Cut-Out Hole)
VBR3-D2	Ø:3.54" (90mm)	H: 4.52" (115mm)	Ø:2.95" (75mm)
VBR4-D2	Ø:4.33" (110mm)	H: 5.31" (135mm)	Ø:3.54" (90mm)
VBR5-D2	Ø:5.43" (138mm)	H: 6.22" (158mm)	Ø:4.92" (125mm)
VBR6-D2	Ø:6.29" (160mm)	H: 7.01" (178mm)	Ø:5.70" (145mm)
VBR7-D2	Ø:7.08" (180mm)	H: 7.63" (194mm)	Ø:6.29" (160mm)

ORDERING GUIDE

3"/4"/5"/6"/6.5" Recessed LED Spot Downlight

CATALOG #

ORDER MATRIX
REMODEL OR NEW CONSTRUCTION

Order Code	Size	Wattage	CCT & CRI	Distributions	Voltage & Dimming Level	Emergency	Reflector Color	Mounting Options	Accessories
VBR3-D2	3= series 3" rough opening	3" = 12W	27 = 2700K,90 CRI, 30 = 3000K,90 CRI, 35 = 3500 K,90 CRI	N = Narrow,15° S = Spot,24° M = Medium,36°	Blank = Standard 120Vac, Phase Dimming (Forward/Reverse), Dim to 1%/5%(120V only) 277 = Universal 100-277Vac, 0-10V Dimming to 1%/5% 347 = Universal 100-347Vac, 0-10V Dimming to 1%/5% DALI = Universal 100-277Vac, Dali Dimming to 1%/5% PoE = 12/24Vdc, Constant Voltage Dimming to 100%/5%	ST = Standard No Emergency Pack EL = EMBB	MW = Matte White MB = Matte Black MS = Matt Silver	MO1 = Flanged Plate With Hanger Bars Model MO2 = 26" Flat Rough-In Plates MO3= 13" Mounting Plate Flat MO4= Universal Mounting New Construction Plate MO5= New Construction Housing, IC airtight	EC= Extension Cable P= Plastic C1= Clamp Connector C2= Clamp Connector
VBR4-D2	4= series 4" rough opening	4" = 18W	40 = 4000 K,90 CRI 50 = 5000 K,90 CRI						
VBR5-D2	5= series 5" rough opening	5" = 23W	5CCT = 2700K-3000K -3500K-4000 K-5000K						
VBR6-D2	6= series 6" rough opening	6.5" = 33W	WD = Warm Dim 3000K-1800K TW = CCT Tunable White, 2700K-6500K						
VBR7-D2	7= series 6.5" rough opening								

Note: please select the new construction plate size from the accessories kits from page 1 when ordering. (Note: This is for reference only)

MO1 Flanged Plate With Hanger Bars Model	MO2 26" Flat Rough-In Plates	MO3 13" Mounting Plate Flat	MO4 Universal Mounting New Construction Plate	MO5 New Construction Housing, IC airtight	ST EM Backup LED Driver	EC Extension Cabi P C1 C2 Plastic/Clamp Connector
---	---	--	--	--	---------------------------------------	--

