

# Barton Recessed LED Downlight | IC | Canless



## Barton Recessed LED Downlight Fixture

### DESCRIPTION

The Barton Series recessed LED downlights adopt deep regressed anti-glare structure, delivering architectural lighting that elevates luxury spaces with minimal ceiling intrusion. Designed in round shape with fixed / Adjustable installation, this series features various reflectors and beam angles from 10° to 38°, providing precise high-performance illumination for commercial hospitality, high-end residential and apartment applications.

The fixture supports universal input voltage (120-277V, 50/60Hz), ensuring compatibility across diverse electrical systems. It is dimmable to 1% via 0-10V, electronic low-voltage (ELV), or Triac drivers. The sealed IP65-rated design protects internal components from water, dust, and debris, making it suitable for indoor or damp locations in remodel and new construction projects.

### OPTICS TECHNOLOGY

OPTICS	10°, 15°, 24°, 38° Available
ADJUSTABLE	Adjustable Available
MEDIA	Standard Clear, Frosted or Customized Linear Spread, Hex Louver

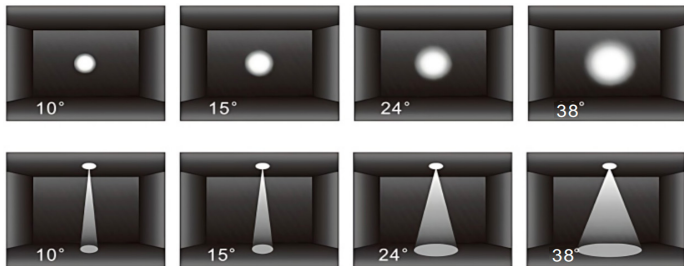
### LED LIGHT ENGINE

RATED WATTAGE	Up to 35W
DELIVERED LUMENS	Up to 3000 lm (based on 80lm/w@4000K with high efficacy COB)
CCT/CRI	2700K, 3000K, 3500K, 4000K, 5000K 90CRI, 5CCT Selectable within 18W
COLOR QUALITY	CRI90+, SDCM3
LED LIFETIME	55,000 hours @ L90
CCT/CRI	WARM DIM 3000K-1800K, TUNABLE WHITE 2700K-6500K 90CRI

### HOUSING INSTALLATION

- New Construction: Galvanized steel adjustable hanger bars (standard)
- IC-rated shallow housing for direct contact with insulation
- Ceiling Compatibility: Drywall or T-bar grid (if required)
- Remodel installation option available
- Steel junction box with up to 4 x "knockouts for 1/2" conduit electrical pipes
- New Construction: Galvanized steel rough-in plate (non-adjustable hanger bars available)

### OPTICS BEAM SPREAD



## Product Features

#### Construction

- High performance Die-cast aluminum trim with a wide variety of options.

#### Optics

- Precision-crafted optical design ensures consistent luminance through a optical reflector & pmma lens which distribute light evenly and smoothly for general lighting applications

#### LED CHARACTERISTICS

- Color Temperature: Available in dedicated 1CCT/5CCT/Warm Dim/ Tunable White
- Color Index rate: 90 CRI+
- Color accuracy within 3 SDCM at the CCT endpoints, provide color accuracy and uniformity
- Expected Life: L90 at 50,000 hours projected in accordance with TM-21

#### LED Dimming Driver:

- ETL listed 120-volt driver compatible with incandescent, magnetic low voltage and ELV dimming.
- The universal 100V-277V/347V driver with 0-10V dimming.
- Conforms to CSA C22.2 No. 250.0 & UL1598 standards. Phase dimming, Forward 1% & Reversed 5% (120V only) & 0-10V, dim off (Depends on the compatible dimmers)



### POWER SUPPLY

INPUT VOLTAGE	120V/100-277V/100-347Vac @50/60Hz
DIMMING	Multiple Dimming Drivers Available
SERVICABILITY	Below Ceiling Serviceable

#### • STANDARD FINISH

- MW (Matte White)
- MB (Matte Black)

#### • INTERIOR REFLECTOR FINISH

- MW (Matte White)
- MB (Matte Black)
- MS (Matte Silver)

### ROUND GIMBAL TRIM

### ROUND FIXED TRIM



#### Mounting

- Strong snap-in mounting springs, for the use without junction box or recessed can, quick & easy installation for new constructions/Remodel applications. Recessed, No Housing required.

#### Electrical Power Connections

- UL listed 4-hole quick connectors or Wire nuts provided for mains connections

#### Compliance

- Contains no mercury or lead and RoHS compliant
- cETLus certified for US and Canada
- Suitable for Indoor Dry/Damp locations

#### Warranty

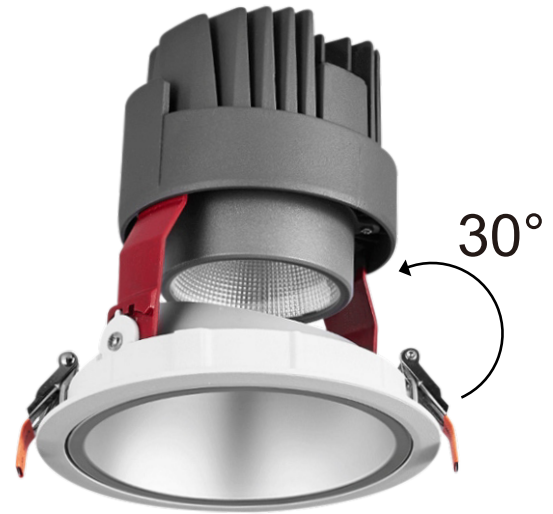
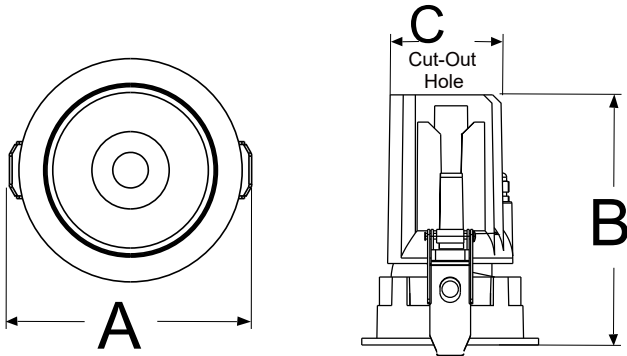
- 5-Year LED Limited Warranty

Warranty does not cover product failure due to an over-voltage event (power surge) For installations where power surge may be possible, we recommend installation additional surge protection at the electrical distribution panel



# Barton Recessed LED Downlight | IC | Canless

**SERIES MEASUREMENT: 3"(12W)/4"(18W)/5"(23W)/6"(30W)/6.5"(33W)**



2700K - 3000K - 3500K - 4000K - 5000K

INDICATE	A	B	C (Cut-Out Hole)
VBR3-D1	Ø:3.54" (90mm)	H: 4.52" (115mm)	Ø:2.95" (75mm)
VBR4-D1	Ø:4.33" (110mm)	H: 5.31" (135mm)	Ø:3.54" (90mm)
VBR5-D1	Ø:5.43" (138mm)	H: 6.22" (158mm)	Ø:4.92" (125mm)
VBR6-D1	Ø:6.29" (160mm)	H: 7.01" (178mm)	Ø:5.70" (145mm)
VBR7-D1	Ø:7.08" (180mm)	H: 7.63" (194mm)	Ø:6.29" (160mm)

## ORDERING GUIDE

### 3"/4"/5"/6"/6.5" Recessed LED Spot Downlight

CATALOG #

ORDER MATRIX  
REMODEL OR NEW CONSTRUCTION

Order Code	Size	Wattage	CCT & CRI	Distributions	Voltage & Dimming Level	Emergency	Reflector Color	Mounting Options	Accessories
<b>VLBR3-D1</b>	<b>3=</b> series 3" rough opening	3" = 12W	27 = 2700K,90 CRI, 30 = 3000K,90 CRI, 35 = 3500 K,90 CRI	<b>N =</b> Narrow,10° <b>S =</b> Spot, 15° / 24° <b>M =</b> Medium,38°	<b>Blank =</b> Standard 120Vac, Phase Dimming (Forward/Reverse), Dim to 1%/5%(120V only) <b>277 =</b> Universal 100-277Vac, 0-10V Dimming to 1%/5% <b>347 =</b> Universal 100-347Vac, 0-10V Dimming to 1%/5% <b>DALI =</b> Universal 100-277Vac, Dali Dimming to 1%/5% <b>PoE =</b> 12/24Vdc, Constant Voltage Dimming to 100%/5%	<b>ST =</b> Standard No Emergency Pack <b>EL =</b> EMBB	<b>MW =</b> Matte White <b>MB =</b> Matte Black <b>MS =</b> Matt Silver	<b>MO1 =</b> Flanged Plate With Hanger Bars Model <b>MO2 =</b> 26" Flat Rough-In Plates <b>MO3=</b> 13" Mounting Plate Flat <b>MO4=</b> Universal Mounting New Construction Plate <b>MO5=</b> New Construction Housing, IC airtight	<b>EC=</b> Extension Cable <b>P=</b> Plastic <b>C1=</b> Clamp Connector <b>C2=</b> Clamp Connector
<b>VBR4-D1</b>	<b>4=</b> series 4" rough opening	4" = 18W 5" = 23W	40 = 4000 K,90 CRI 50 = 5000 K,90 CRI						
<b>VBR5-D1</b>	<b>5=</b> series 5" rough opening	6" = 30W	5CCT = 2700K-3000K -3500K-4000 K-5000K						
<b>VBR6-D1</b>	<b>6=</b> series 6" rough opening	6.5" = 33W	WD = Warm Dim 3000K-1800K TW = CCT Tunable White, 2700K-6500K						
<b>VBR7-D1</b>	<b>7=</b> series 6.5" rough opening								

Note: please select the new construction plate size from the accessories kits from page 1 when ordering. (Note: This is for reference only)

<b>MO1</b>  Flanged Plate With Hanger Bars Model	<b>MO2</b>  26" Flat Rough-In Plates	<b>MO3</b>  13" Mounting Plate Flat	<b>MO4</b>  Universal Mounting New Construction Plate	<b>MO5</b>  New Construction Housing, IC airtight	<b>ST</b>  EM Backup LED Driver	<b>EC</b> Extension Cabi <b>P C1 C2</b> Plastic/Clamp Connector
---	---	--	--	--	---------------------------------------	--

