

# Series VATB

## Architectural Tall Bollard

This new Architectural Tall Bollard is the latest in LED design for Site and Architectural Lighting. 11.5 feet tall with 4 feet of durable acrylic diffuser makes a bold statement. This garden luminaire is bolted with a mounting plate onto a foundation provided by the customer or an anchorage unit made of hot-dep galvanized steel. Available in optional RGB and with custom text on the galvanized bollard.

### CONSTRUCTION

Hop-dep galvanized steel with aluminum anodized finish. Durable acrylic diffuser.



### DIMENSIONS

Diameter: 7"  
Height: 137.8"

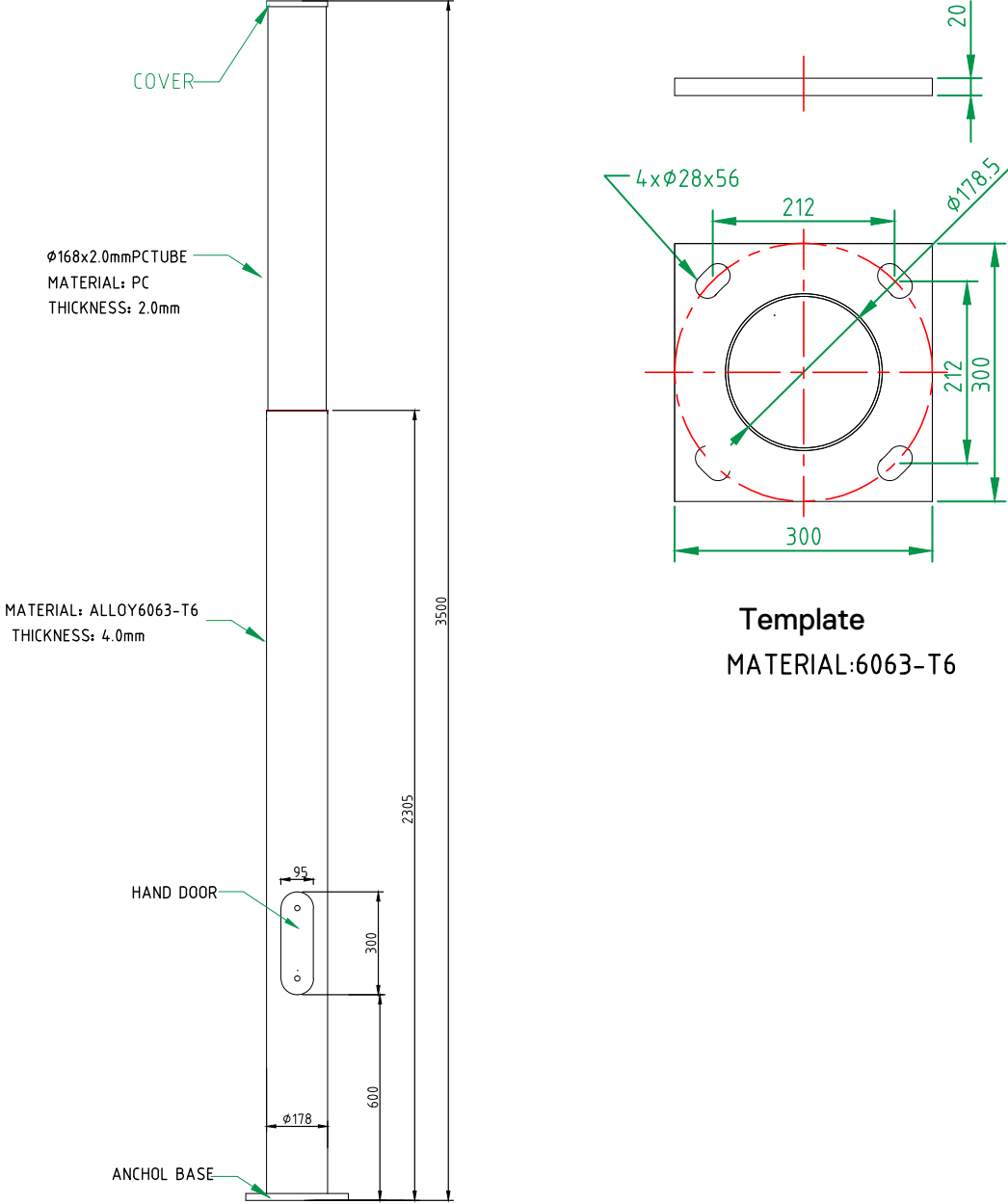
### FEATURES & BENEFITS

- Highest grade structural steel
- A single piece of formed steel welded longitudinally
- Chemical treated to ensure maximum paint adhesion
- Galvanized: 90.55"
- Acrylic Lens: 47.25"
- Wall Thickness: 0.15"
- Aluminum anodized finish
- 80 watt
- Non-dimmable
- 4000K

# Series VATB

Architectural Tall Bollard

## DRAWINGS & IMAGES



## PRODUCT NUMBERS

ITEM NUMBER	DESCRIPTION
VATBL80WMV40K	Architectural Tall Bollard 80W (LED) Cassiopeia Single White Color with Non-dimmable Driver 4000K with J-Bolt. Aluminum Anodized Finish. Overall Height: 137.8"; Wall Thickness: 0.15". (Dimension: 7" Diameter; 90.55" Galvanized; 47.25" Acrylic; 12" Square)