

# V4 Garage Parking Lot LED Light



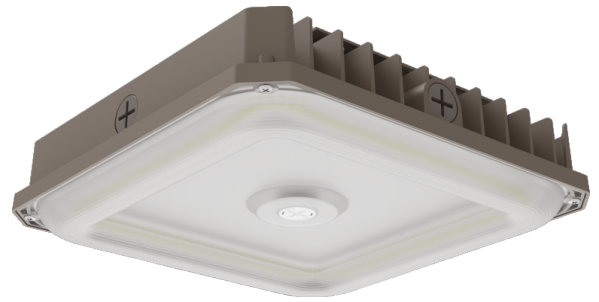
**ValueEngineeredLighting**  
ARCHITECTURAL LIGHTING PRODUCTS

## FEATURES

- Built in Power and CCT adjustable
- Built in Motion sensor receptacle port
- Wide beam angle with advanced PC optics.
- Anti-corrosion and rust proof
- 50,000 hours lifetime

## SUITABLE APPLICATIONS

- Shopping mall/Building/Airport Garage Parking lot lighting
- Underground Garage Parking lot lighting



## CONSTRUCTION:

Heavy die-cast aluminum alloy housing bronze powder-coated finish.

## ELECTRICAL:

Available as 120-277V input. -20°C to 45°C.

## OPTICAL SYSTEM:

Lumileds 2835LED chips. High quality light transmittance PC optics.150° beam angle.

## INSTALLATION&MOUNTING:

ceiling mount or 3/4" conduit entry on top for pendant mounting (pendant provided by others)

## WARRANTY:

5-year limited warranty. Actual performance may differ as a result of end-user environment and application.

## Sample

**VE-4NCP80/60/40W-H-TX(XX)-Y**

Wattage	Power Factor	Motion Detection	Voltage/CurrentInput		Light Efficiency	CCT tunable
			120V	277V		
40W	0.9	40FT	0.33A	0.14A	130LM/W	3500K/4000K/5000K
60W	0.9	40FT	0.50A	0.21A	130LM/W	3500K/4000K/5000K
80W	0.9	40FT	0.66A	0.28A	130LM/W	3500K/4000K/5000K

# V4 Garage Parking Lot LED Light

## Motion Sensor Compatible



HD07VR-MH Occupancy sensor: plug and play

## CCT&Power Adjustable



The lamps have the function of adjusting power and color temperature

## PRODUCT ORDERING GUIDE

**VE-4NCP80/60/40W-H-TX(XX)-Y**

1 2 3 4 5 6

VE -  4NCP  80/60/40W -  H -  TX(XX) -  Y

LS LEDSION

4NCP G4 New canopy

### Power Tunable

80W Power 80W  60W Power 60W

40W Power 40W

H/L High/Low Light Efficiency

### TX(XX):CCT Tunable

35K CCT:3500K

40K CCT:4000K

50K CCT:5000K

Y  YES Motion Sensor

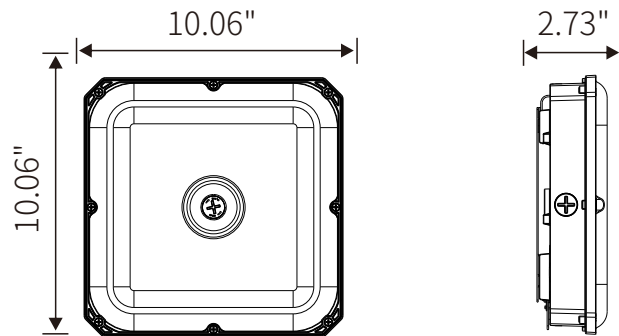
N  NO Motion Sensor

## Electric Characteristic

Specification/Model	VE-4NCP <u>80</u> /60/40W-H-TX(XX)-Y	VE-4NCP80/ <u>60</u> /40W-H-TX(XX)-Y	VE-4NCP80/60/ <u>40</u> W-H-TX(XX)-Y
LED Driver	UL listed WEPOWERLED Brand 0-10V Dimmable		
Input power	80W	60W	40W
Lumens output	10400LM	7800LM	5200LM
Light Efficiency	130LM/W	130LM/W	130LM/W
CRI	>80	>80	>80
Color Temperature	5000K	5000K	5000K
Input voltage	120-277V/AC	120-277V/AC	120-277V/AC
Light distribution type	150D	150D	150D
Working temperature	-20+45°C	-20+45°C	-20+45°C
Junction temperature	<75°C	<75°C	<75°C
Lamp Efficiency	≥90%	≥90%	≥90%
Certificate	UL CUL DLC	UL CUL DLC	UL CUL DLC
Equivalent	180-250WMH/HP S	120-180WMH/HP S	80-120WMH/HP S

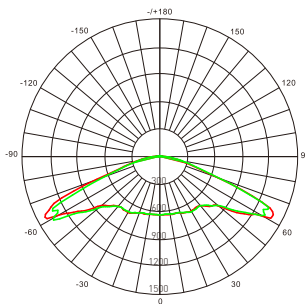
# V4 Garage Parking Lot LED Light

## DIMENSION



## DISTRIBUTION DIAGRAM

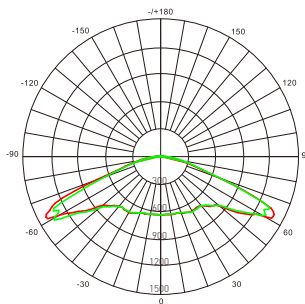
LS-4NCP80/60/40W-H-TX(XX)-Y



AVERAGE BEAM ANGLE(50%): 150°  
 UNIT:CD  
 Lumens:5200LM  
 Test Number:40W  
 Test Number:5000K

- C0/180, 154
- C30/210,111.5
- C60/240,109.7
- C90/270,154.2

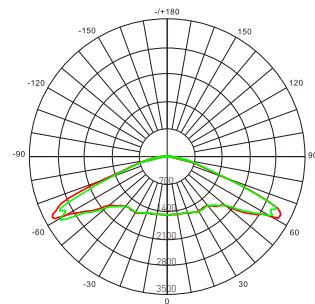
LS-4NCP80/60/40W-H-TX(XX)-Y



AVERAGE BEAM ANGLE(50%): 150°  
 UNIT:CD  
 Lumens:7800LM  
 Test Number:60W  
 Test Number:5000K

- C0/180, 154
- C30/210,111.5
- C60/240,109.7
- C90/270,154.2

LS-4NCP80/60/40W-H-TX(XX)-Y



AVERAGE BEAM ANGLE(50%): 150°  
 UNIT:CD  
 Lumens:10400LM  
 Test Number:80W  
 Test Number:5000K

- C0/180, 154
- C30/210,111.5
- C60/240,109.7
- C90/270,154.2