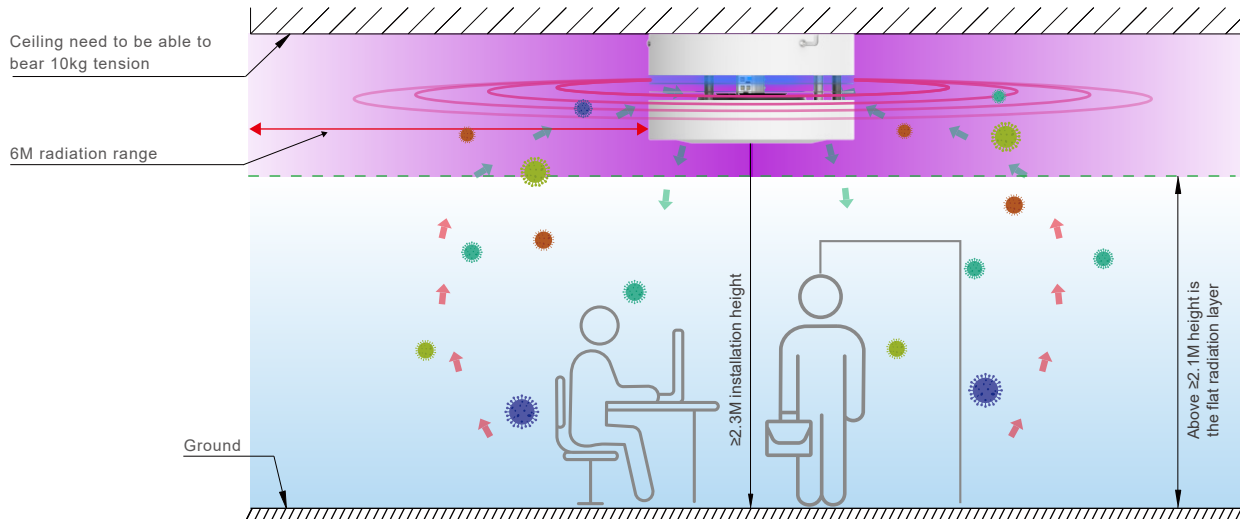


Round upper UV-C air disinfection device



Purification principle

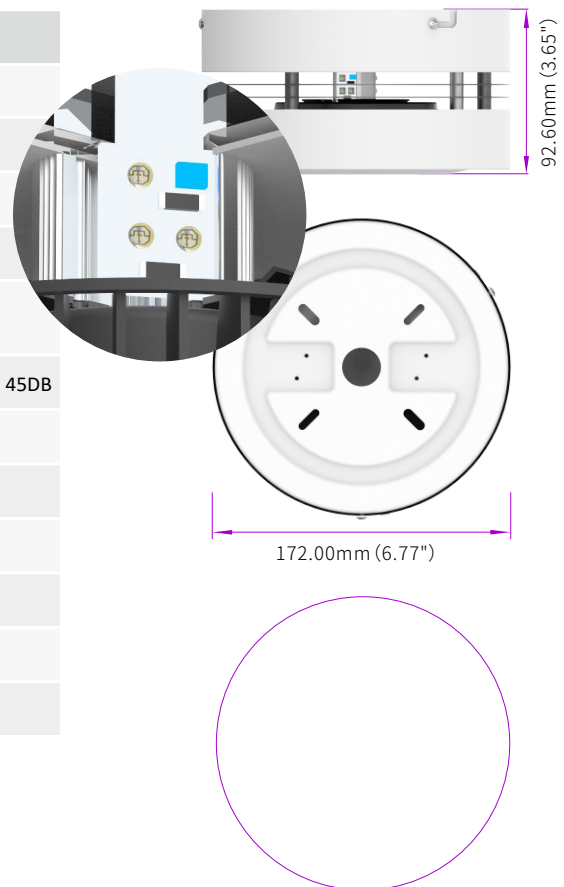
There is an ultraviolet upper layer flat radiation device inside, which forms a flat radiation layer in the upper layer of the space. The fan inside the main unit causes the indoor air convection effect to remove the fine particles floating in the air. bacteria and viruses rise to the UV flat radiation layer, and use the upper flat radiation to kill viruses and bacteria.



Product parameters

SPECIFICATIONS

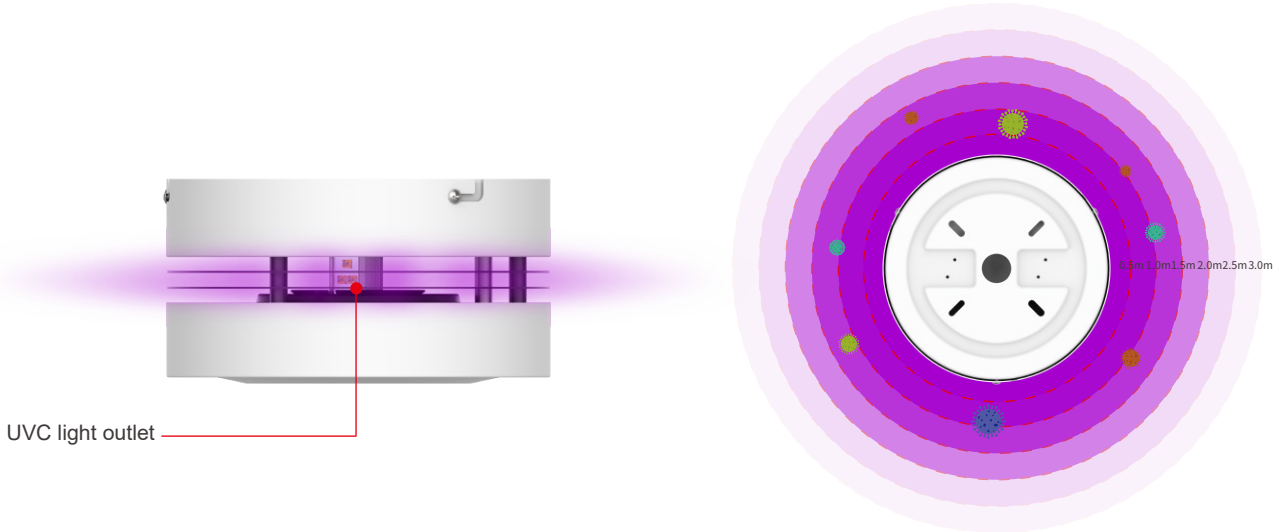
Model No.	VU32-10W-01/02
Power(W)	10±2W 9±2W 8±2W
Input voltage(V)	100-277V
Wave length(nm)	275nm
Radiation Intensity (0.5m from the LED surface) ($\mu\text{W}/\text{cm}^2$)	25.38 $\mu\text{W}/\text{cm}^2$
Noise at 1 meter distance(DB)	1level: 35DB 2level: 40DB 3level: 45DB
LED type	3939
Applicable volume (m^3)	25 m^3
Applicable area (m^2)	10 m^2
Working temperature($^{\circ}\text{C}$)	0 $^{\circ}\text{C}$ ~+40 $^{\circ}\text{C}$
Product size(mm)	$\varnothing 172\text{mm} * 92.6\text{mm}$
Warranty	2 year



Product features

01 The light-emitting design of the circular upper flat layer:

360° uvc outlet, improve the disinfection area, also high effective for virus. 2.3m installation height, safe for occupied area.



Test value of ultraviolet irradiance in the range of 0.5m~3m

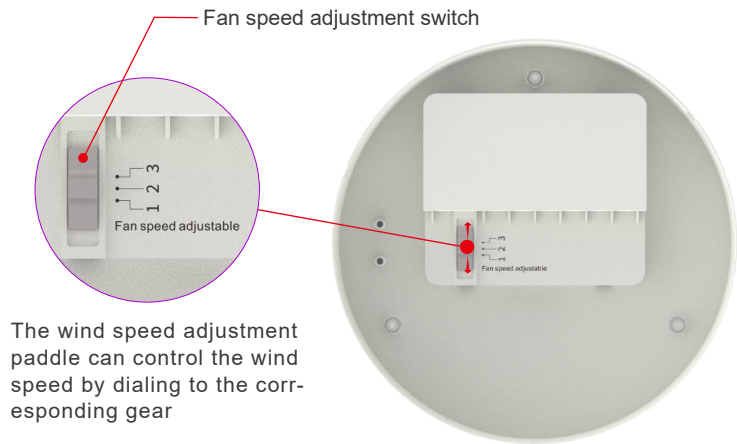
360 ° light output

U32 Ultraviolet spectrum irradiance test value						
Test distance(m):	0.5m	1.0m	1.5m	2.0m	2.5m	3.0m
Value($\mu\text{w}/\text{cm}^2$):	25.38 $\mu\text{w}/\text{cm}^2$	6.47 $\mu\text{w}/\text{cm}^2$	3.73 $\mu\text{w}/\text{cm}^2$	2.33 $\mu\text{w}/\text{cm}^2$	1.91 $\mu\text{w}/\text{cm}^2$	1.54 $\mu\text{w}/\text{cm}^2$

02 Fan speed adjustment:

The wind speed can be adjusted according to the actual application scene. The wind speed is divided into 3 gears, each of which is 1st gear, 2nd gear, 3rd gear.

Gear Parameters		
Level	Air Volume(CFM)	Noise(DB)
Level 1	6.5CFM	35DB
Level 2	8.7CFM	40DB
Level 3	12.7CFM	45DB



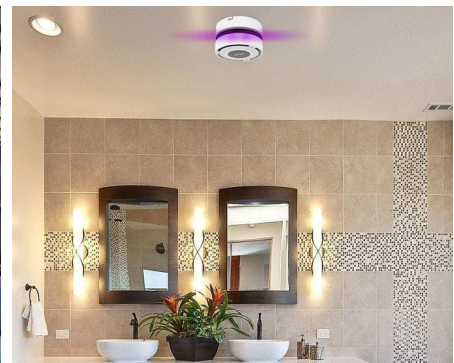
The wind speed adjustment paddle can control the wind speed by dialing to the corresponding gear



Level 1 Fan Speed: <35DB
Application: Living room, Hotel, School



Level 2 Fan Speed: <40DB
Application: Office, Hospital, Bank



Level 3 Fan Speed: <45DB
Application: Supermarket, Toilet, Kitchen

Product features

03 Centrifugal fan improves sterilization efficiency:

Centrifugal fan to accelerate local air flow, experimental data show that the fan can improve the sterilization efficiency under the same power.

10m³ space to sterilize *Staphylococcus albus*:

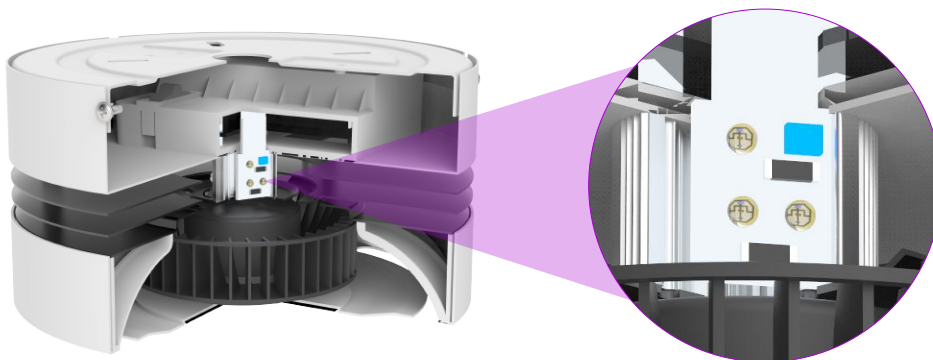
Fan gear	Killing time (H)	Killing rate
1	2	72.10%
2	2	99.60%
3	2	99.90%



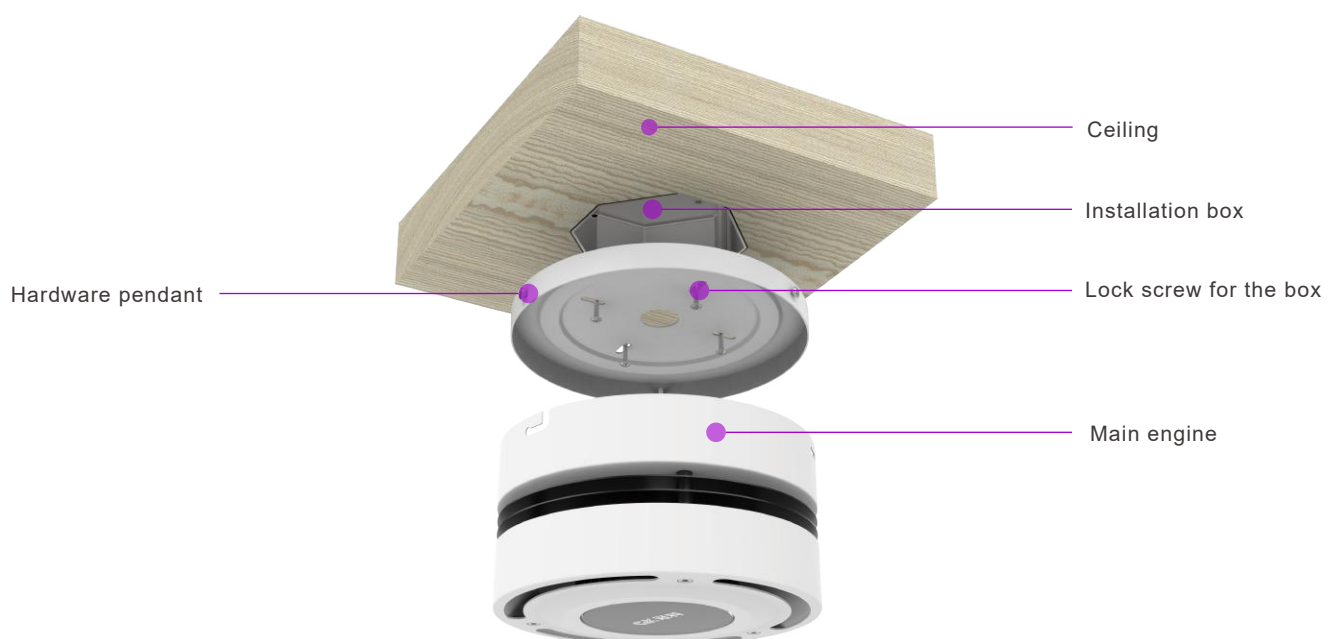
Note: This data comes from a third-party laboratory, the data is for reference only.

04 Newest UV LED applied, longer lifespan:

Built-in 3 sides, with a total 9 pcs led uvc, long lifespan.



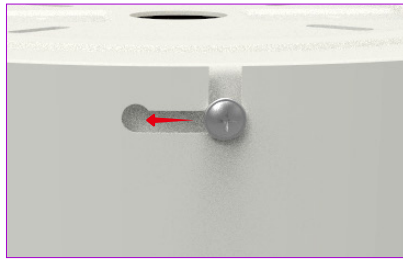
Installation method 1: Ceiling installation



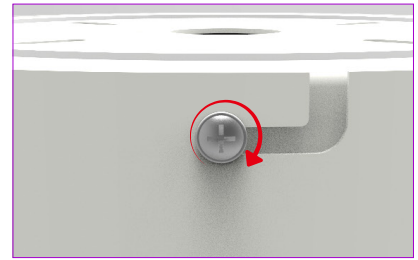
Installation method 1: Ceiling installation



Step①: lock the cold-rolled sheet on the octagonal box..

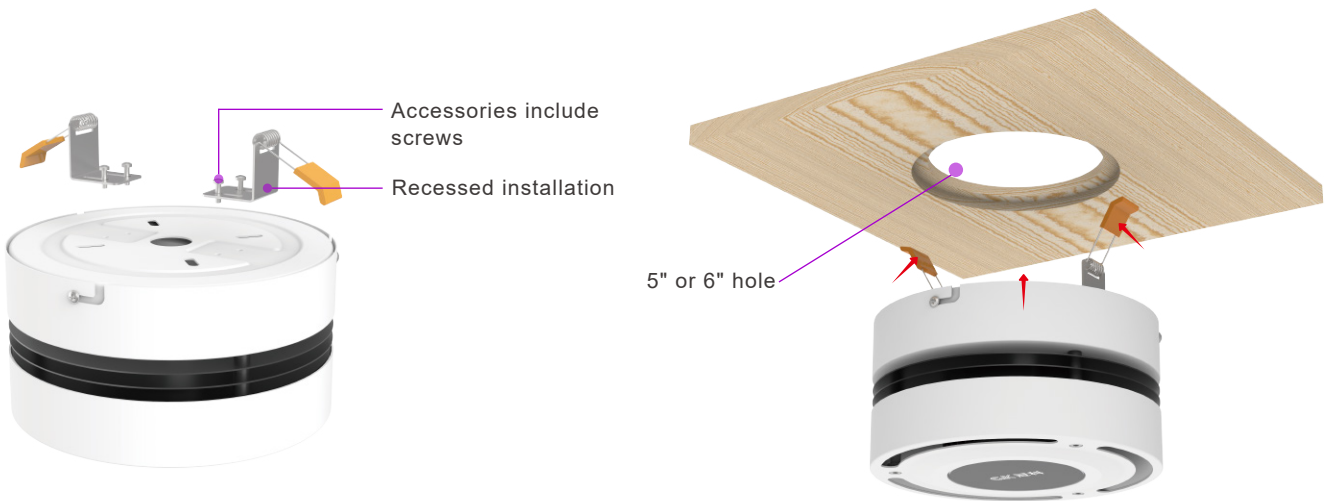


Step②: Rotate the main unit into the card slot.



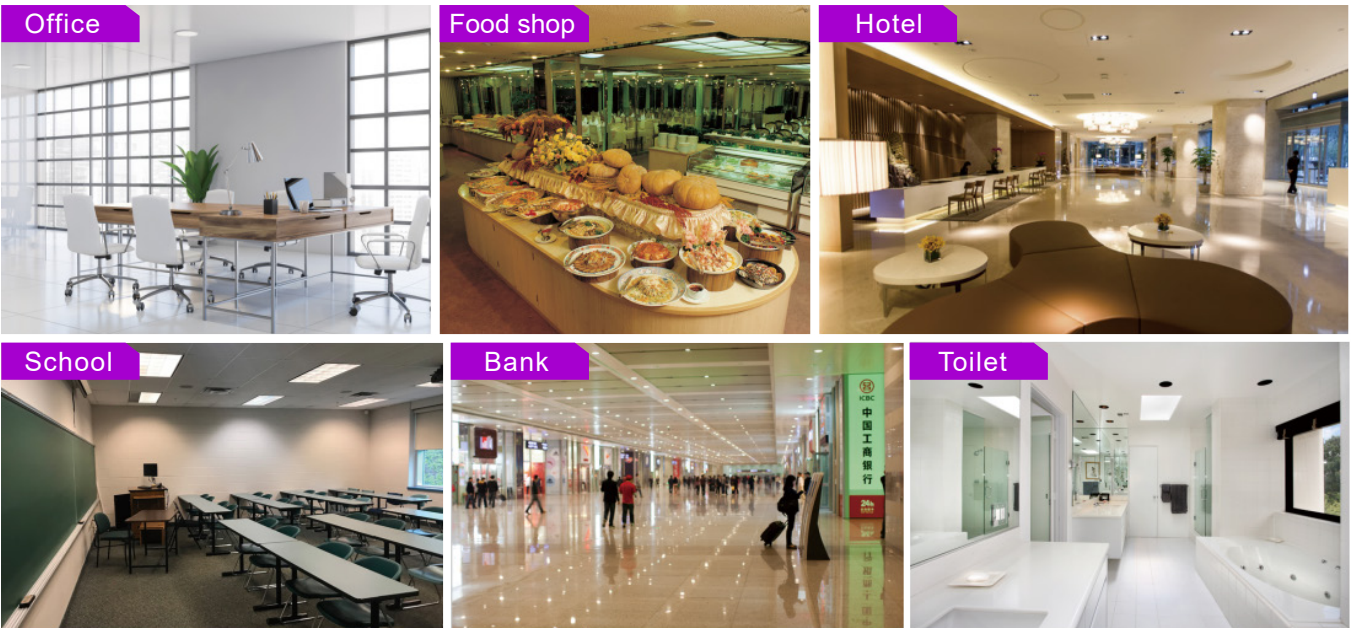
Step③: Lock and fix the connection between the host and the cover by fixing screws.

Installation method 2: Embedded installation



Installation steps: Fix the embedded installation piece in the accessory bag on the host with a tool, and adjust the distance between the two installation pieces according to the 5-inch or 6-inch hole in the ceiling.

Applications



Application : Most indoor places like Office, Food shop, Hotel, Hospital, School, Bank, Toilet, etc.