

V2PCR SERIES



GEN 2 LED Petroleum Canopy Surface Mount

FEATURES & SPECIFICATIONS

APPLICATION — The high performance luminaire is designed for petroleum station canopy applications where long life, low maintenance, and consistent color rendering is required. All areas with limited accessibility due to fixture location or where heavy pedestrian or vehicle traffic makes maintenance difficult are ideal applications such as for this fixture.

CONSTRUCTION — The heavy duty LED housing is constructed of cast aluminum. The mounting box is constructed of .063" thick sheet aluminum with a welded seam. The hinged door frame is constructed of .093" sheet aluminum. An EPDM foam and silicone rubber gasket is used for a watertight seal.

FINISH — A Super Durable Polyester powder coat finish is electrostatically applied in our state of the art paint facility. Standard colors available: White. Custom colors available upon request.

OPTICAL SYSTEM — Light is directed through a clear, flat tempered glass lens providing a uniform and symmetrical light pattern.

ELECTRICAL SYSTEM — Available in 5000K Cool White (+/- 150K) color temperatures propagated with LG Innatek 3030 LED's. Minimum 80 CRI. Available with 90-300V 50/60 Hz. LED's rated over 50,000 hours (TM21 Calculated L70) at 25°C ambient temperature with available 1400mA operation. Lumen Maintenance >97% at 50K hrs. 347V and 480V input options available. Standard 0-10V dimming. Driver provided with integral 4kV surge protection that meets IEEE C62.42.2-2002. 10kV Surge Suppressor standard. Built-in Active PFC Function. LED Power Supply conforms to UL1310 Class 2 and UL8750 standards and is IP67 rated for wet locations.



SERIES	HOUSING HEIGHT	LENGTH & WIDTH
V2PCR	2.88"	24.00" x 24.00"

MOUNTING — The fixture can be easily installed by one person. It may be mounted into a 12" or 16" deck pan. Door/LED assembly utilizes quick release hinges to allow the fixture body to be mounted first using 4 Pan Truss screws. Door/LED assembly may then be attached to the body and wiring connections made. A silicone sponge gasket and clamping plate is installed from the top of the canopy to prevent water intrusion. Incoming power connections can then be made inside a wet location junction box (provided by others).

LISTINGS — ETL listed for wet locations (IP64). Meets US and Canadian safety standards. -40°C to 40°C ambient operation. RoHS Compliant.

ORDERING INFORMATION

Choose the bold face options for the appropriate luminaire configuration for your application and enter on the line above each fixture attribute. Accessories may be factory installed, depending on the particular accessory chosen, but still be ordered as a separate line item.

EXAMPLE:

V2PCRCWGF1WH

V2PC							
SERIES	MOUNTING	COLOR TEMP	OPTICS	DRIVE CURRENT	VOLTAGE	FINISH	OPTIONS
	R = 2x2 Surface Mount Unit	CW = Cool White (5000K)	G = Symmetric with Flat Tempered Glass Lens AS = Asymmetric with Flat Tempered Glass Lens	F = 1400 mA	1 = Multi-Volt ¹ 2 = 480V 3 = 347	WH = White SP = Special ²	SCE = Side Conduit Entry

ACCESSORIES (Order as separate line items)

100180 120V-277V Surge Protector

NOTES

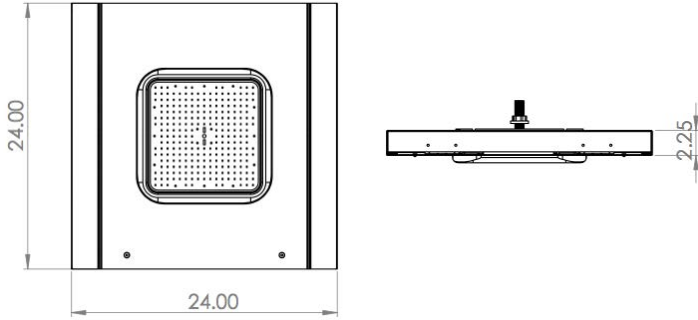
- 1 = Multi-Volt is an auto ranging power supply from 100V to 300V input.
- 2 = Custom RAL color matching is available. Contact your sales representative for additional info.
- 3 = Specify whether the surge suppressor is to be factory installed in the fixture or field installed on each circuit.



V2PCR GEN 2 LED Petroleum Canopy Surface Mount

FIXTURE DIMENSIONS

Dimensions shown are for fixture bodies only. Mounting options must be ordered separately.



LUMINAIRE CHARACTERISTICS

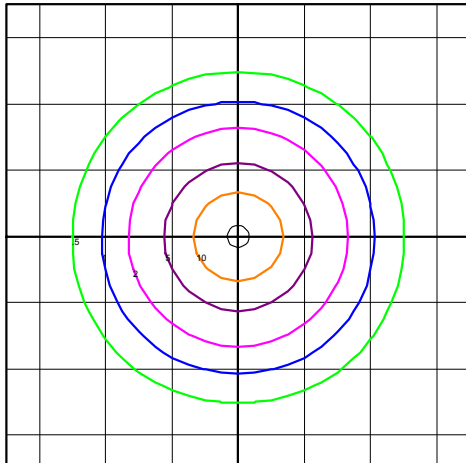
Drive Current	Color Temp	Delivered Lumens Symmetric	Delivered Lumens Asymmetric	System Wattage	L70 @ 25°C	Amperage Draw			
						120V	208V	240V	277V
1400 mA	CW	15271	13580	145W	>50K	1.21 A	.70 A	.61 A	.53 A

PHOTOMETRICS

IES INDOOR REPORT PHOTOMETRIC FILE NAME: L2PCRCWGF1

1400mA, Cool White, Symmetric

145W L2PC Canopy
Color Temperature: 5,000 K



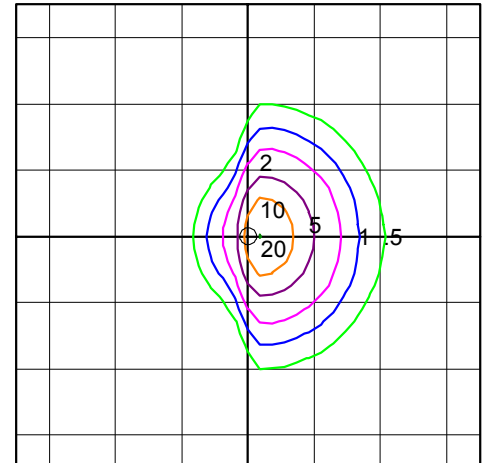
TECHLIGHT
L2PC-S-CW-G-F
PETROLEUM CANOPY
MID-POWER LEDS

Horizontal Footcandles
Scale: 1 Inch = 15 Ft.
Light Loss Factor = 1.00
Lumens Per Lamp = N.A. (absolute photometry)
Luminaire Lumens = 15981
Mounting Height = 18.00 Ft
Maximum Calculated Value = 17.27 Fc
Arrangement: Single

IES INDOOR REPORT PHOTOMETRIC FILE NAME: L2PCRCWGF1

1400mA, Cool White, Asymmetric

145W L2PC Canopy
Color Temperature: 5,000 K



TECHLIGHT
L2PC-RCWASF1
PETROLEUM CANOPY ASYMMETRIC

Horizontal Footcandles
Scale: 1 Inch = 20 Ft.
Light Loss Factor = 1.00
Lumens Per Lamp = N.A. (absolute photometry)
Luminaire Lumens = 12024
Mounting Height = 18.00 Ft
Maximum Calculated Value = 20.19 Fc
Arrangement: Single

WARNING: Maintenance performed including the replacement of LED bricks while power is still supplied to the luminaire may result in system failures and will void the warranty.