

# SQUARE LED SPORT LIGHT



**ValueEngineeredLighting**  
ARCHITECTURAL LIGHTING PRODUCTS

## FEATURES

- 600/700/800W TUNABLE, 277-480V meet all demands.
- Replacing up to 3000W HID, with higher and further illumination
- Polycarbonate optic lense, never yellow after years.easy wiring
- 20KV SURGE PROTECTION, 50,000 hours lifetime

## SUITABLE APPLICATIONS

- Sport field lighting
- Square plaza lighting
- Sea Port lighting
- Airport lighting
- High mast and Contour lighting



### CONSTRUCTION:

Heavy die-cast aluminum alloy housing with gray powder-coated finish. Polycarbonate optic lense.

### OPTICAL SYSTEM:

High brightness 2835 LED chips. 35° beam angle Options

### WARRANTY:

5-year limited warranty. Actual performance may differ as a result of end-user environment and application.

## PERFORMANCE

### ELECTRICAL:

277-480V universal input. -20°C to 55°C.

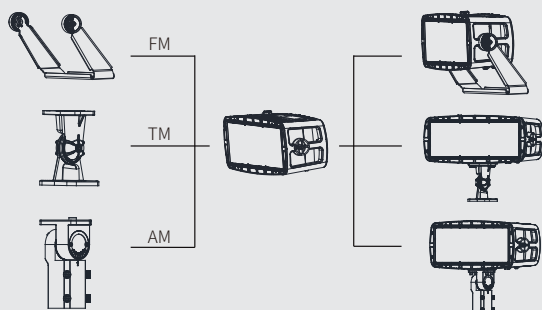
### INSTALLATION&MOUNTING:

Angle-adjustable U bracket by mounting heights 15 to 30ft.

Model NO	PowerFactor	Wattag tumable	Voltage/CurrentInput		Light Efficiency	CCT
			277V	480V		
VST-SP11-800 T1PD2H1-SHV10SPFM50	0.92	600W/700W/800W	2.16A/2.52A/2.88A	1.25A/1.45A/1.66A	140LM/W	5000K

# SQUARE LED SPORT LIGHT

## Features



## PRODUCT ORDERING GUIDE

AST-SP11-800T1PD2H1-SHV10SPFM50

VST - SP11 800 T1PD2H1-S HV 10SPFM50

VST Value Engineere Lighting

SP11 LED SPORT LIGHT

800W Watt tunable 600W 700W 800W

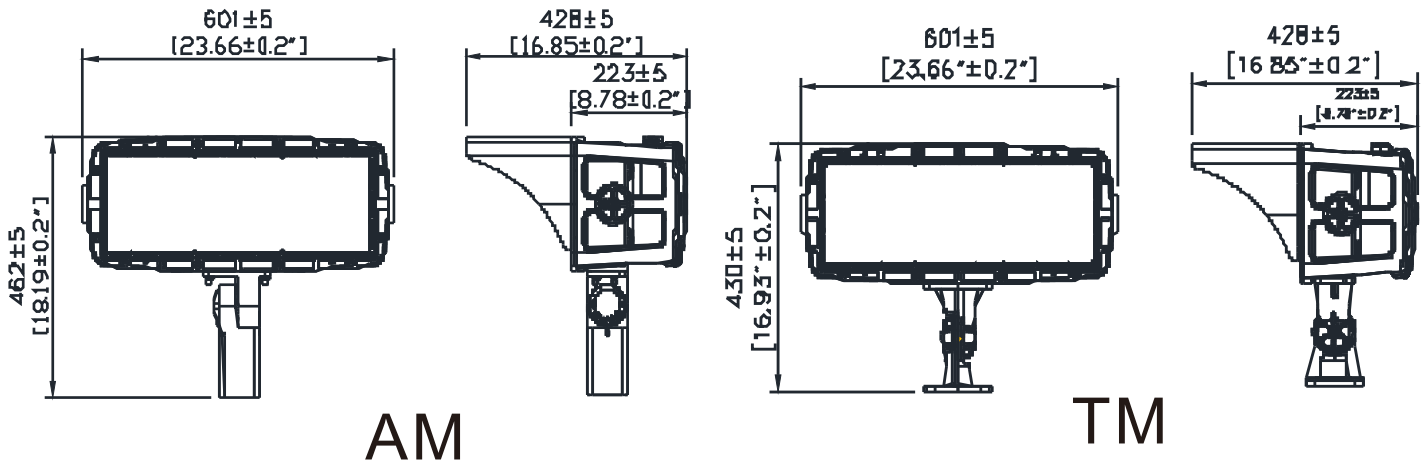
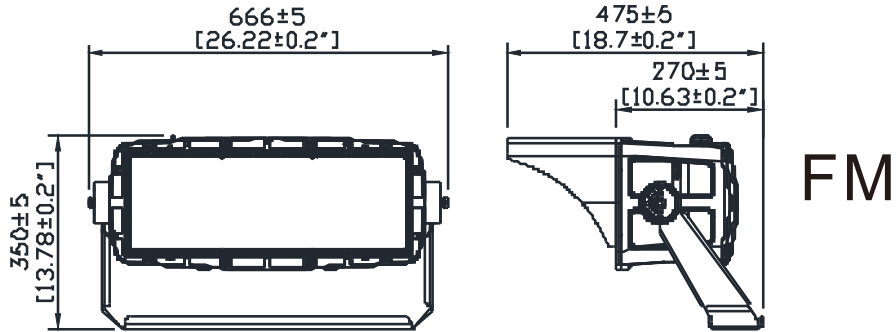
H1 277-480V

## ► Electric Characteristic

Specification/Model	VST-SP11-800T1PD2H1-SHV10SPFM50		
LED Driver	uPowerTek		
Input power	600W	700W	800W
Lumens output	84000LM	98000LM	11200LM
Efficiency	140LM/W	140LM/W	140LM/W
CRI	>72	>72	>72
Color Temperature	5000K	5000K	5000K
Input voltage	277-480V/AC	277-480V/AC	277-480V/AC
Light distribution type	35D	35D	35D
Working temperature	-20+45°C	-20+45°C	-20+45°C
Junction temperature	<75°C	<75°C	<75°C
lamps efficiency	≥90%	≥90%	≥90%
Certificate	UL CUL DLC	UL CUL DLC	UL CUL DLC
Equivalent	1200-2000W MH/HPS	1500-2500W MH/HPS	1600-3000W MH/HPS

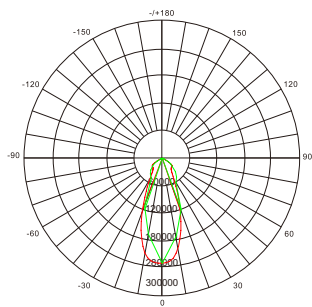
# SQUARE LED SPORT LIGHT

## DIMENSION



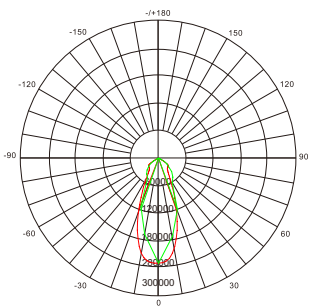
## DISTRIBUTION DIAGRAM

VST-SP11-800T1PD2H1-SHV10SPFM50



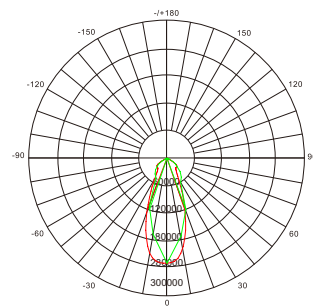
UNIT:CD  
 Lumens:84000LM  
 Test Number:600W  
 Test Number:5000K

- C0/180,37.2
- C30/210,35.6.1
- C60/240,37..6
- C90/270,40.9



UNIT:CD  
 Lumens:98000LM  
 Test Number:700W  
 Test Number:5000K

- C0/180,37.2
- C30/210,35.6.1
- C60/240,37..6
- C90/270,40.9



UNIT:CD  
 Lumens:112000LM  
 Test Number:800W  
 Test Number:5000K

- C0/180,37.2
- C30/210,35.6.1
- C60/240,37..6
- C90/270,40.9

# SQUARE LED SPORT LIGHT

## Installation Instructions

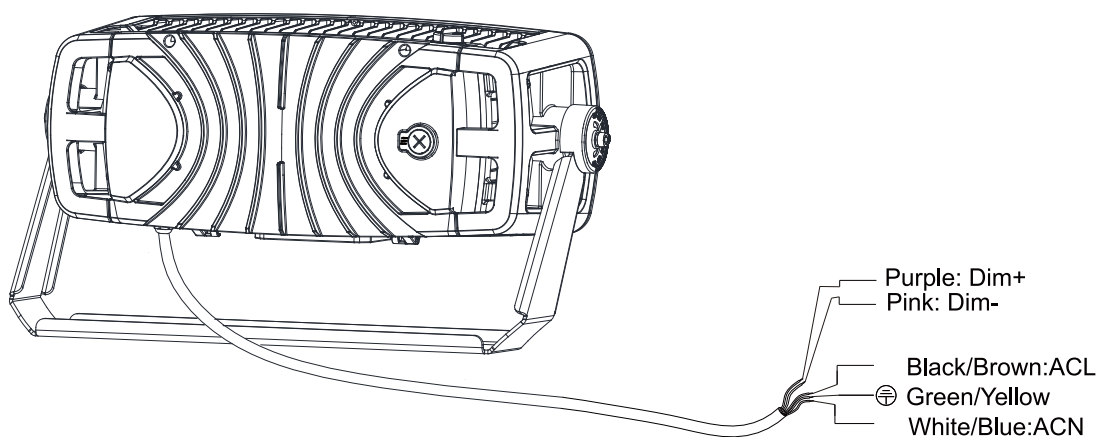
### Applications:

- Sports Venues
- Large Outdoor Area Lighting
- Shipyards / Docks
- Airports
- Other lighting requiring high intensity long distance lighting

### Caution:

1. The fixture should be installed, inspected and maintained by a qualified electrician/contractor in accordance with NEC & safety regulations.
2. Make sure the power is turned off before installing, troubleshooting or removing the light fixture from its mounted location.
3. Ensure that the voltage used is the voltage within the product identification range.
4. Use wires that comply with UL (or other local standards) for wiring. Should be wired with a Minimum conductor size of 16AWG.
5. Do not install the fixture in a hazardous environment. The ambient temperature must not exceed the rated operating temperature of the fixture.
6. Do not install the fixture in wet or excessively humid conditions and avoid installation when the danger of lightning strikes is present.
7. Please use with listed waterproof strain relief bushing when connecting the power supply cord to outlet box.
8. Do not operate fixtures on electric generator.
9. External 0-10V only passive dimmers are supported.

### Wiring diagram:

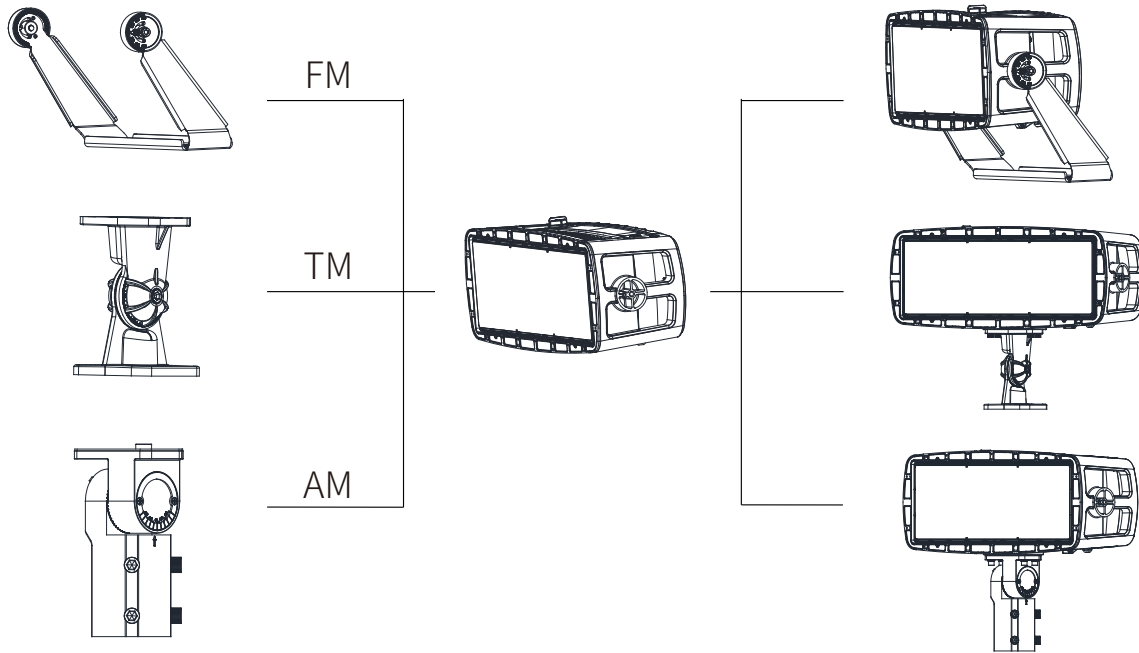


Notice: Please use the dimming+, dimming- (DC10V) marking leads to connect to outside dimmer. Class 1 Wiring Only. Please assure a cumulative leakage current of less than 3.5mA on the control circuit. The AUX control wire with shrinkable tubing shall not be damaged (no connection).

### Optional Brackets and Installation Instructions

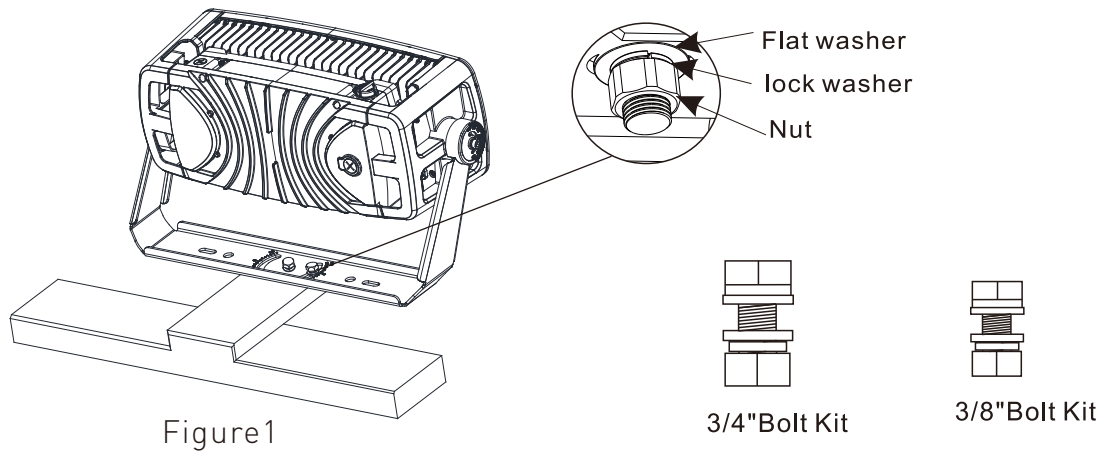
There are 2 optional mounting brackets for this fixture as shown below.

# SQUARE LED SPORT LIGHT



## Yoke Mount Bracket - Mounting & Aiming Instructions (FM)

- You can install the fixture on the crossarm diving board and secure it with:
  - (1) 3/4" diameter bolt/nut, flat washers & lock washer kit
  - (1) 3/8" aiming lock bolt/nut, flat washers & lock washer kit. (Figure 1)



Set the left/right orientation by loosening the 3/4" & 3/8" bolts in the base of the Yoke Mount Bracket and turning the fixture as required then retorque the bolts to 59.1 ft.lbs. (Figure 2)

# SQUARE LED SPORT LIGHT

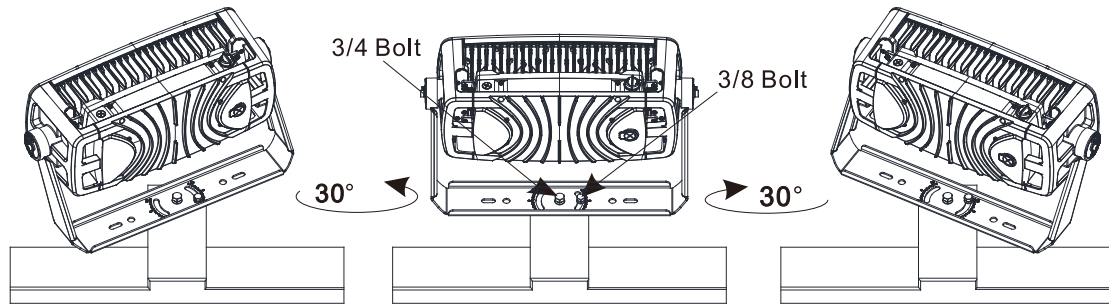


Figure 2

- Set the up/down orientation by loosening the (2) bolts on each side of the fixture where the yoke mount attaches to the fixture and rotate the fixture up or down then retorque the bolts to 22.2 ft.lbs. (Figure 3)
- An aiming laser/level may be supplied in certain applications.

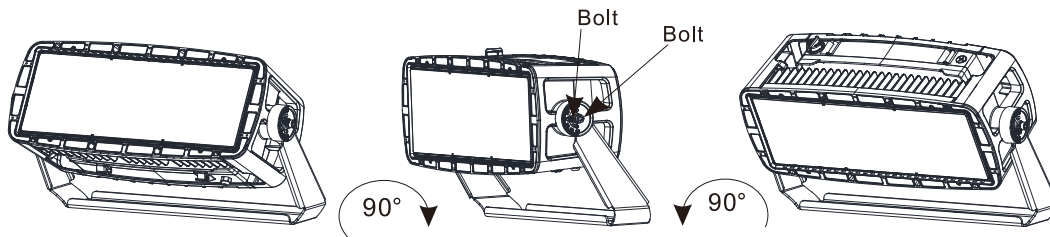


Figure 3

## Universal Mount Bracket - Mounting & Aiming Instructions(TM)

- Attach the TM bracket to the fixture with 4 bolts by aligning it with the opening at the bottom of the fixture. (Figure 4)
- You can install the fixture on the crossarm diving board and secure it with:  
(1) M10 diameter bolt/nut, flat washers & lock washer kit. (Figure 5)

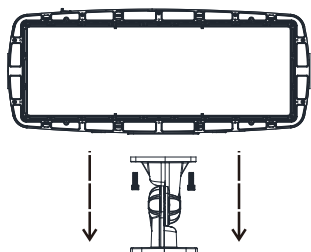


Figure 4

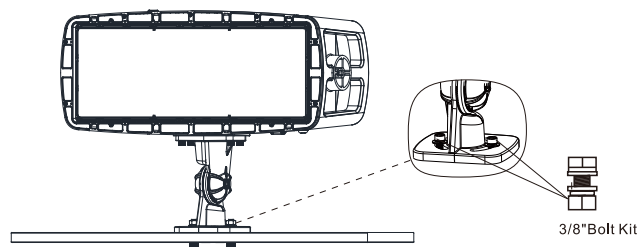
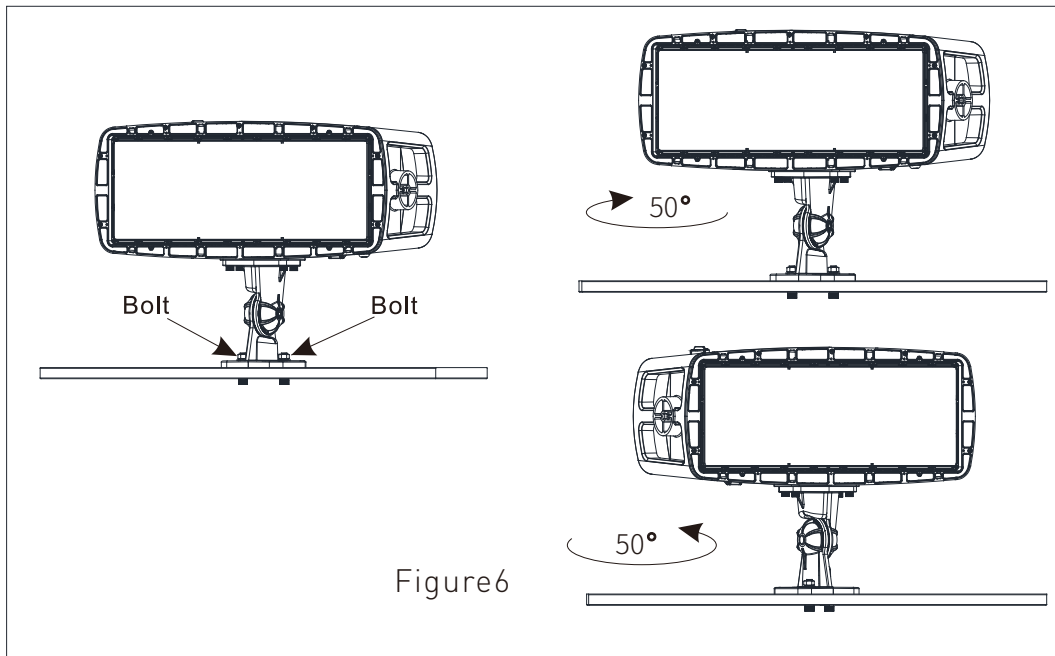


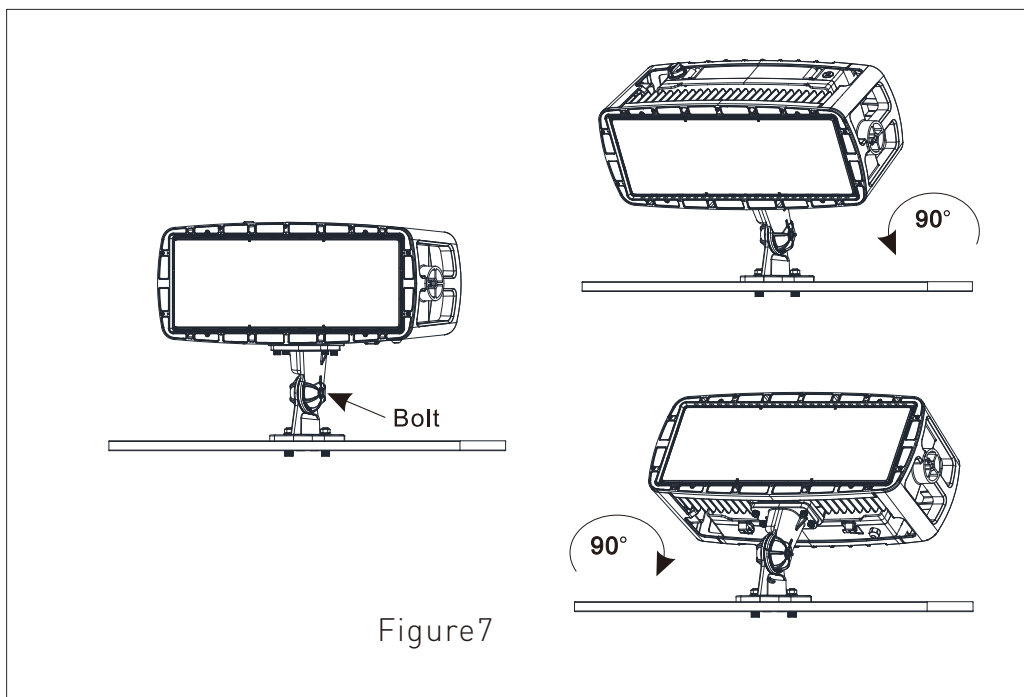
Figure 5

# SQUARE LED SPORT LIGHT

Set the left/right orientation by loosening the (2) bolts in the base of the UniversalMount and turning the base then retorque the bolts to 22.2 ft.lbs.(Figure 6)



Set the up/down orientation by loosening the bolts in the knuckle of the Universal Mount and turning the knuckle then retorque the bolts to 36.9 ft.lbs.(Figure 7)



# SQUARE LED SPORT LIGHT

## ADJUSTABLE FITTER MOUNTING(AM)

1: Loosen the four bolts on AM bracker,connect the wires correctly,and pull the wires into thepoles. (Figure 8 )

2: Place the bracket into the pole and lock the four bolts. ( Figure 9 )

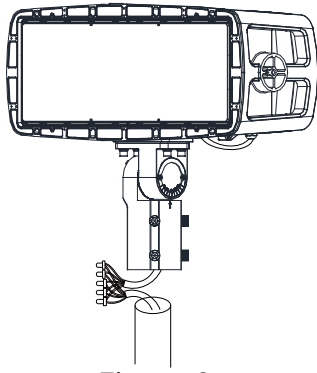


Figure 8

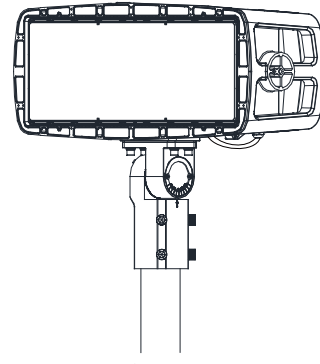


Figure 9

3. Use an open-end wrench and hex wrench to loosen the adjusting screw for adjusting the angle ( Figure 10)

Notice: Adjustable angle is 0-90°.

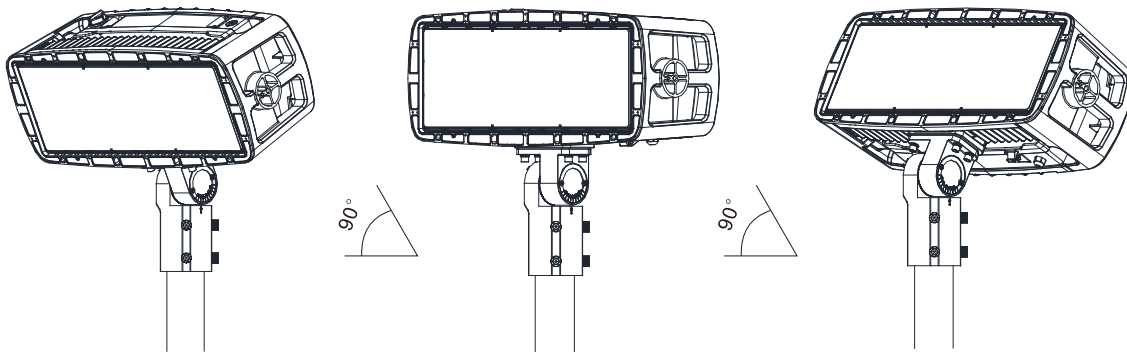


Figure 10

## Factory Preaimed Fixture Installation

- This system comes with the Universal Mounts premounted to crossarms with the left/right & up/down aiming already set according to the lighting design requirements.

- Install the fixture head onto the Universal Mount by aligning the studs on the mount with the opening in the bottom of the fixture. (Figure 5)

- After the fixture head is completely seated on the Universal Mount install the 2 Lock bolts in the base of the fixture and torque the bolts to 11.07 ft. lbs.

# SQUARE LED SPORT LIGHT

## Installation Instructions for Louver

If the louver is not factory installed already, attach the louver to the face of the light fixture using the bolts provided. (Figure 11)

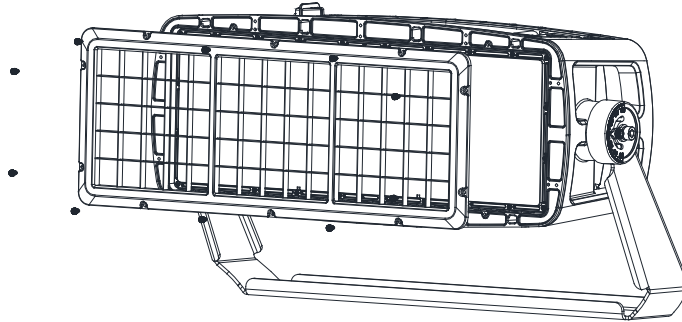


Figure 11

## Installation Instructions for Visor

When the light shield function is required, fix the light barrier to the luminaire with a screwdriver as required. (Figure 12)

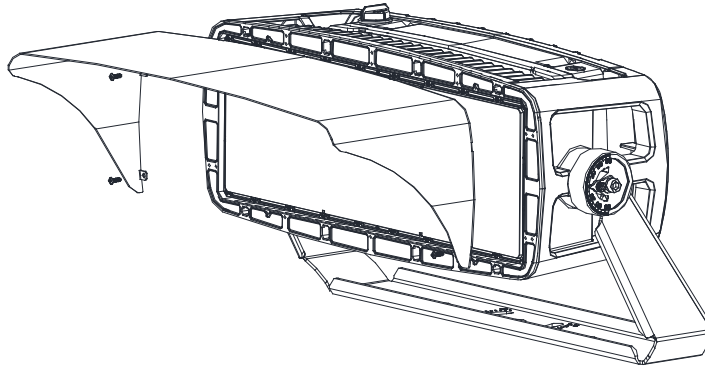


Figure 12

## Fixture Wattage Adjustability

The fixture comes factory set to 800W or 600W output. (Figure 13)

To adjust the wattage of the fixture, remove the plug from the back of the fixture and change the position of the selector switch to the desired wattage per the lighting design. Reinstall the plug into the back of the fixture and tighten to ensure the fixture housing is sealed.

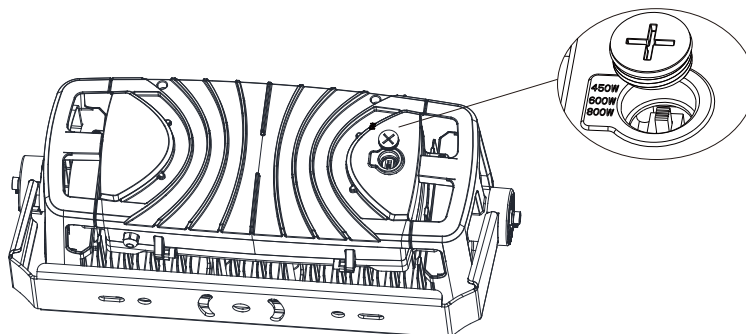


Figure 13