

UV-C Air Purification Anti-Germicidal Center Lensed Troffer



Device Parameters

Power (W)	135W
Voltage (V)	100~277V
Lumen (lm)	4700(5000K)/4800(4000K)/4500(3000K)
Color Temperature(K)	3000K/4000K/5000K
Storage Temperature (°C)	-20-40°C
Installation height(M)	≥2.1M

Remote Control Type	Infrared Control
Dimension(mm)	595*595*142.8mm/603*603*142.8mm
Work Temperature (°C)	-10+45°C
Working Environment Humidity(RH)	≤60%
Remote control detection angle	120°
Installation Options	Hanging/embedded installation

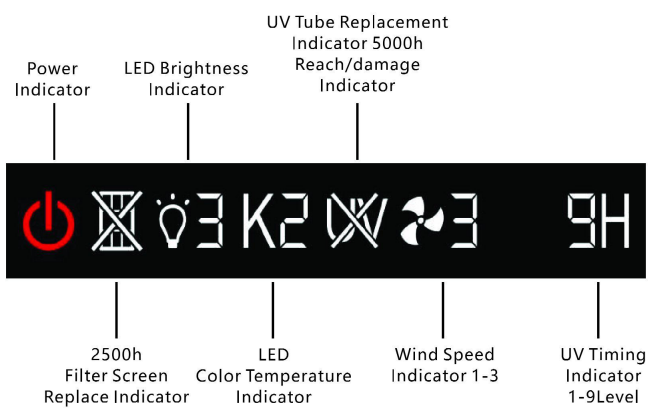
LED Parameters

Power (W)	Lumen (LM)	CCT (K)	PF	CRI(Ra)	Light Effect (Lm/W)
50	≥4500	3000/4000/5000	≥0.9	≥80	≥90

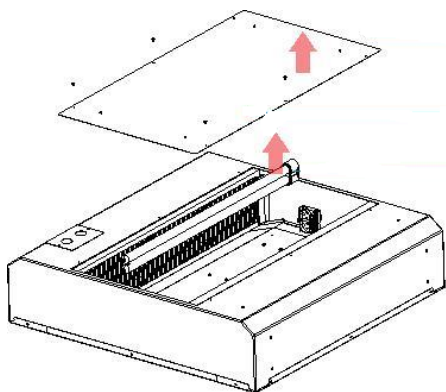
UVC Parameters

Power (W)	UV Output (uW/cm2)	Work Temperature (°C)	Length (mm)	Diameter (mm)	Lifespan (H)	Storage Temperature (°C)
50	165	Max:60°C,Min:-10°C	530	17	5000	Max:80°C Min:-40°C

LED Display

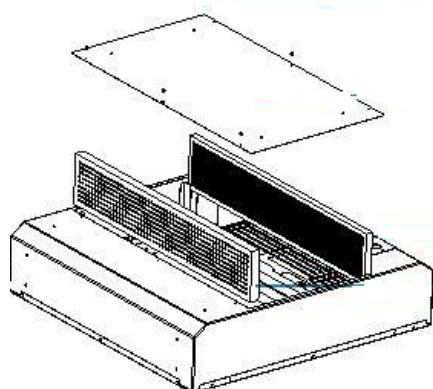


UVC Tube Replacement



- ↑ → Unscrew
- ↑ → Remove the Protective Plate
- ↑ → UVC Tube (1PC)

Filter Replacement



- Unscrew
- Remove the Protective Plate
- HEPA Filter
- Active carbon filter

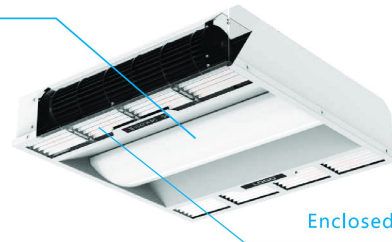
Features

Enclosed UVC Light Source

The UVC light source is in a light-enclosed space. Irradiate the accelerated airflow to eliminate the viruses and bacteria. Therefore, This allows for the disinfection of the air in an enclosed space, while ensuring that day to day business activities can continue underneath that area while the device is active.

Notice: The warranty of UVC tube is 1 year

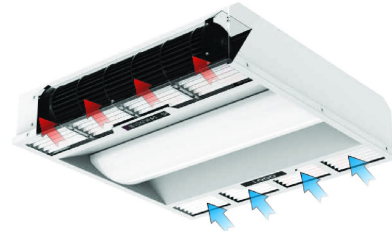
LED Light



Enclosed UVC Light Space

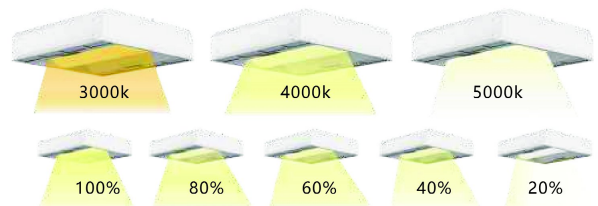
Air Circulation System with Filters

Special Air circulation system accelerate the airflow to improve the efficiency of eliminating the viruses. Designed with HEPA and Active filters can effectively filter and clean the air.



LED troffer Light

LED Color Temperature Adjustable;
LED Brightness Adjustable 20%/40%/60%/80%/100%;

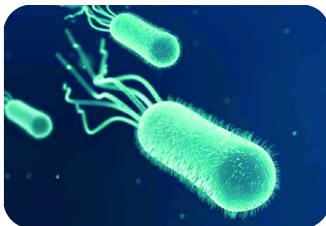
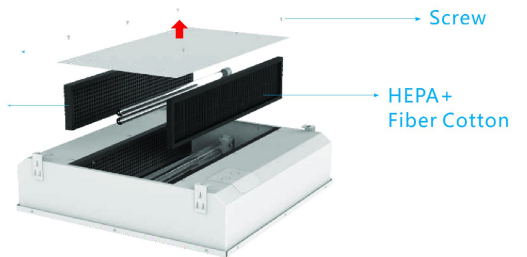


Replaceable Filters and UVC Tubes

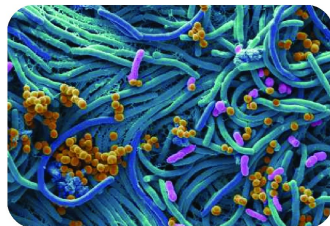
The HEPA will filter the particles to make sure the light-enclosed space is clean, which can filter 99.7% of particles ≥ 0.3 microns.

Remove the Protective Plate to replace the UVC tubes and filters

Active Carbon+ Antibacterial Agents



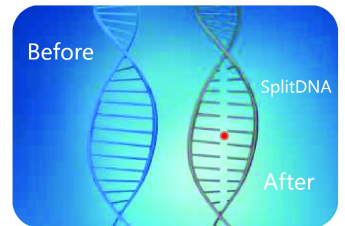
E. coli effective elimination rate is 99.9%



Effectively disinfect Staphylococcus aureus

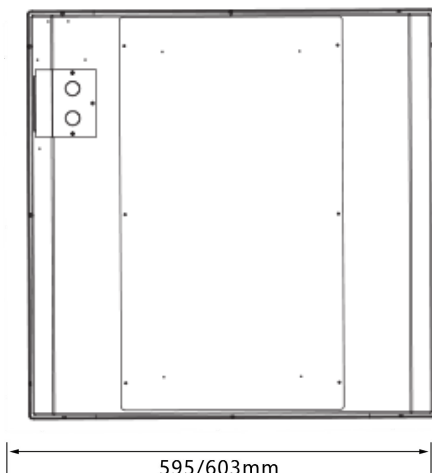


Effectively disinfect the virus



Schematic diagram of UV disinfection

Dimension



595/603mm

Selectable Dimension:

- 1、595x595x142.8mm
- 2、603x603x142.8mm

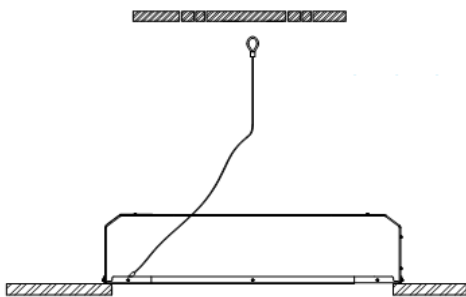


142.8mm

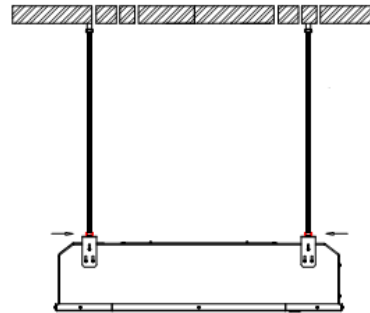
Application



Installation Methods



← Embedded into the Ceiling



← Hanging

⚠ CAUTIONS

- Risk of electric shock. Do not use where directly exposed to water.
- Do not take apart the device without our permission.