



Series VCHB Circular L.E.D. Decorative Highbay

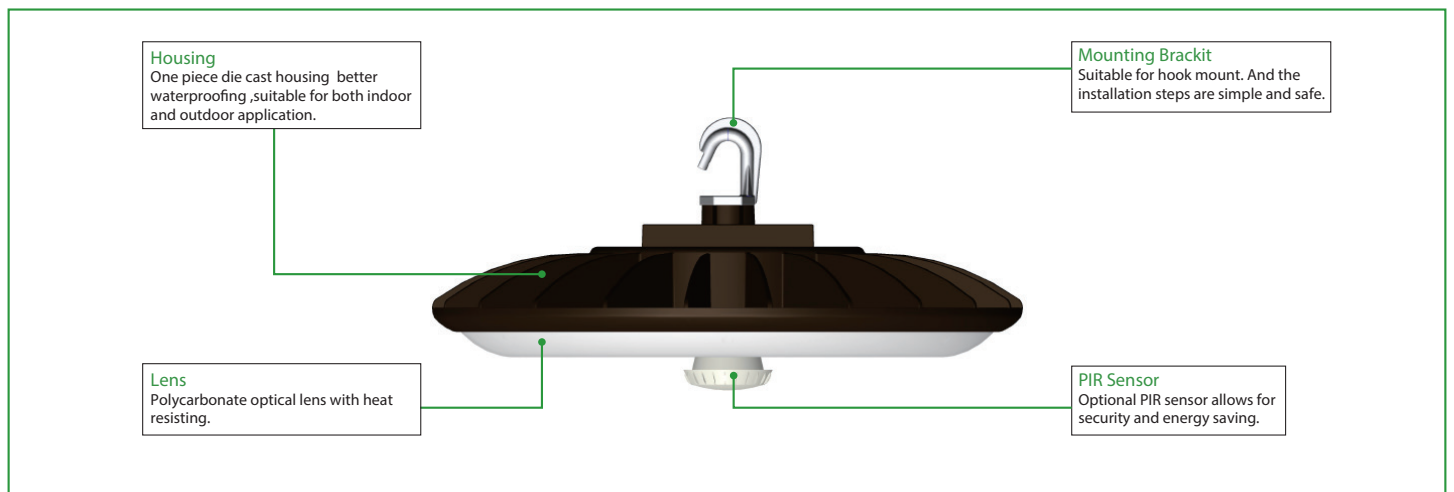


Applications:

Suitable for commercial, retail and institutional applications including gymnasiums, factories and warehouses.

Features

- Die cast aluminum housing features vertical fins for two directional air flow that maximizes heat dissipation and ensures long electrical component life and luminaire performance.
- LED light engines and electrical compartment are thermally isolated with an air gap for optimum component performance and long life.
- Voltage is 120-277V & 347-480V, 0-10V dimming.
- Lumen output from 13000-20000lm with efficacy up to 133lm/W.
- Heavy-duty 3/4" NPS hook, is also 3/4" pendant mount-capable (pendant by others).
- Increase energy savings with bi-level Motion sensor.
- Replacing 250W MH and 400W MH.
- Operating temperature is -40°C to 55°C (-40°F to 131°F).
- UL/cUL wet location and DLC pending.



PERFORMANCE DATA

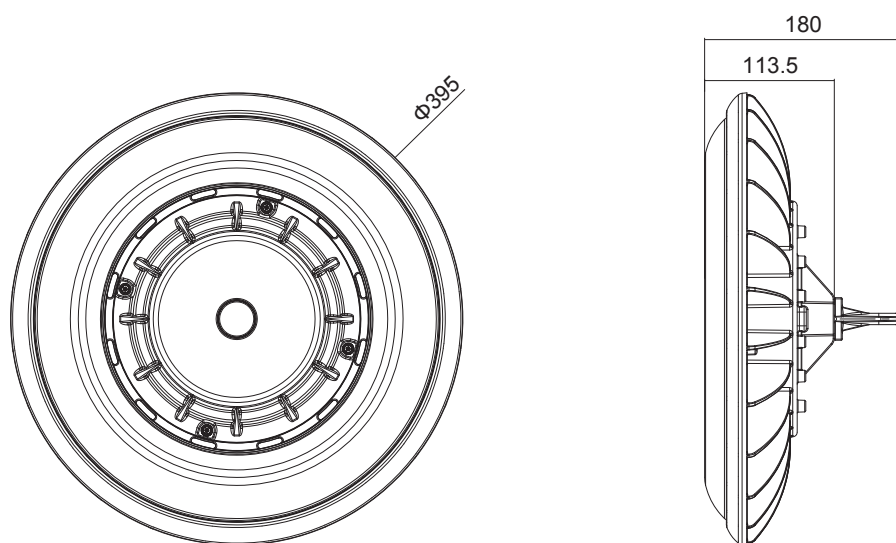
SYSTEM WATTS	PHOTOMETRY	VOLTAGE	4000K(70CRI)		5000K(70CRI)	
			LUMENS	LPW	LUMENS	LPW
100W	High Bay	120-277VAC	13000lm	130 lm/W	13000lm	130 lm/W
	High Bay	347-480VAC	13000lm	130 lm/W	13000lm	130 lm/W
150W	High Bay	120-277VAC	20000lm	133 lm/W	20000lm	133 lm/W
	High Bay	347-480VAC	20000lm	133 lm/W	20000lm	133 lm/W

ELECTRICAL DATA

Number Of Drivers	Driver Current (mA)	Nominal Power (W)	INPUT VOLTAGE (V)	CURRENT (Amps)
1	2500	100	120	0.83
		100	208	0.48
		100	240	0.42
		100	277	0.36
		100	347	0.29
		100	480	0.21
2	3700	150	120	1.25
		150	208	0.72
		150	240	0.63
		150	277	0.54
		150	347	0.43
		150	480	0.31

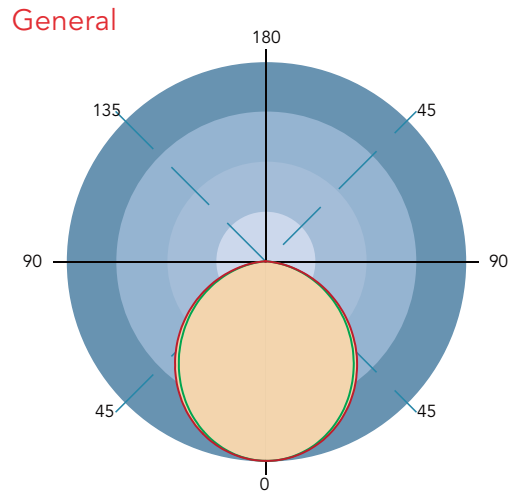
DIMENSION

unit: inch/mm



Weight: 8.818lb

PHOTOMETRIC PERFORMANCE



ORDERING GUIDE

Example: VCMHB02100W27V50KYYY

Fixture Type	Power Consumption	Input Voltage	CCT	Finish	Sensor (Option)	Photometry
<input type="text"/>	<input type="text"/>	<input type="text"/>	<input type="text"/>	<input type="text"/>	<input type="text"/>	<input type="text"/>
VCMHB02 Series	100W 100Watts 150W 150Watts	27V 120-277V 48V 347-480V	40K 4000K 50K 5000K	D Dark Bronze B Black W White	Blank Without Sensor M With Sensor	WL Wide Lens