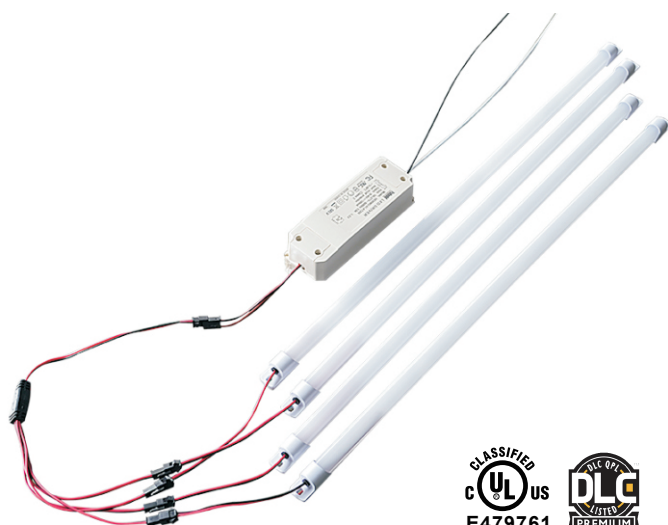




Magnetic LED Retrofit Strip Kit



PRODUCT DESCRIPTION:

V.E. Lighting Magnetic LED Retrofit Strip Kit is a long lasting and money-saving solution that retrofit traditional 1x4, 2x2, 2x4 light fixtures. Kits offer high efficiency 130-140lm/w, Eco-Friendly, and simple magnetic installation. Applications including offices, lobbies, hallways and conference rooms in schools municipalities, libraries, airport, healthcare facilities and so on .

FEATURES:

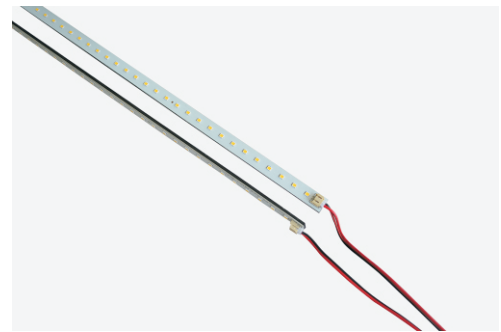
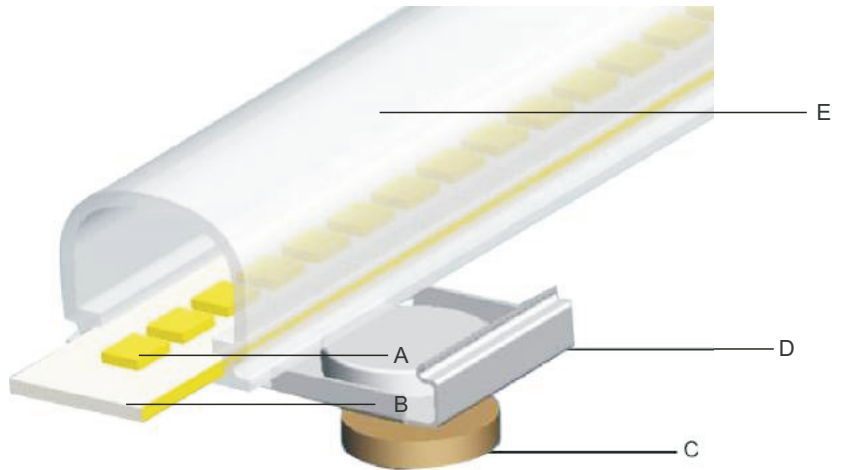
- Input at AC100-277V.
- 3000-6500K CCT.
- 140lm/w without cover or 130lm/w with cover.
- External driver from 16w to 72w.
- Dimming optional.
- Magnet adhesive, and installation hole on both end.
- Five years warranty

SPECIFICATION

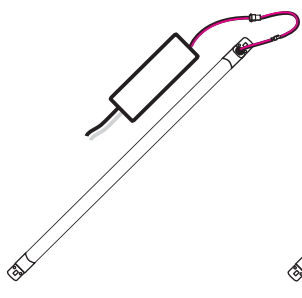
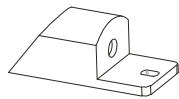
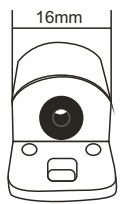
| Troffer Type | Part Number | W/without cover | Wattage (per strip) | Color Temp. | CRI | Ref. Applications | Wattage (Multi strips) | Output | Dimmable |
|--------------|-----------------------|-----------------|---------------------|-------------|-----|----------------------------|------------------------|--------------|---------------|
| 2 x 2 | VE/DT/16KXXD206 (13N) | with cover | 8W | 3000K-6500K | >80 | 2 strips for 2'x2' troffer | 16W | 2400 lumens | NA |
| 2 x 2 | VE/DT/16KXXD206 (13D) | with cover | 8W | 3000K-6500K | >80 | 2strips for 2'x2' troffer | 16W | 2400 lumens | 0-10V dimming |
| 2 x 2 | VE/DT/24KXXD306 (13N) | with cover | 8W | 3000K-6500K | >80 | 3 strips for 2'x2' troffer | 24W | 3600 lumens | NA |
| 2 x 2 | VE/DT/24KXXD306 (13D) | with cover | 8W | 3000K-6500K | >80 | 3strips for 2'x2' troffer | 24W | 3600 lumens | 0-10V dimming |
| 2 x 2 | VE/DT/32KXXD406 (13N) | with cover | 8W | 3000K-6500K | >80 | 4 strips for 2'x2' troffer | 32W | 4800 lumens | NA |
| 2 x 2 | VE/DT/32KXXD406 (13D) | with cover | 8W | 3000K-6500K | >80 | 4 strips for 2'x2' troffer | 32W | 4800 lumens | 0-10V dimming |
| 2 x 4 | VE/DT/24KXXD212 (13N) | with cover | 12W | 3000K-6500K | >80 | 2 strips for 2'x4' troffer | 24W | 3600 lumens | NA |
| 2 x 4 | VE/DT/24KXXD212 (13D) | with cover | 12W | 3000K-6500K | >80 | 2strips for 2'x4' troffer | 24W | 3600 lumens | 0-10V dimming |
| 2 x 4 | VE/DT/36KXXD312 (13N) | with cover | 12W | 3000K-6500K | >80 | 3 strips for 2'x4' troffer | 36W | 5400lumens | NA |
| 2 x 4 | VE/DT/36KXXD312 (13D) | with cover | 12W | 3000K-6500K | >80 | 3strips for 2'x4' troffer | 36W | 5400lumens | 0-10V dimming |
| 2 x 4 | VE/DT/48KXXD412 (13N) | with cover | 12W | 3000K-6500K | >80 | 4 strips for 2'x4' troffer | 48W | 7200 lumens | NA |
| 2 x 4 | VE/DT/48KXXD412 (13D) | with cover | 12W | 3000K-6500K | >80 | 4 strips for 2'x4' troffer | 48W | 7200 lumens | 0-10V dimming |
| 2 x 4 | VE/DT/36KXXD212 (13N) | with cover | 18W | 3000K-6500K | >80 | 2 strips for 2'x4' troffer | 36W | 5400 lumens | NA |
| 2 x 4 | VE/DT/36KXXD212 (13D) | with cover | 18W | 3000K-6500K | >80 | 2strips for 2'x4' troffer | 36W | 5400 lumens | 0-10V dimming |
| 2 x 4 | VE/DT/54KXXD312 (13N) | with cover | 18W | 3000K-6500K | >80 | 3 strips for 2'x4' troffer | 54W | 8100 lumens | NA |
| 2 x 4 | VE/DT/54KXXD312 (13D) | with cover | 18W | 3000K-6500K | >80 | 3strips for 2'x4' troffer | 54W | 8100 lumens | 0-10V dimming |
| 2 x 4 | VE/DT/72KXXD412 (13N) | with cover | 18W | 3000K-6500K | >80 | 4 strips for 2'x4' troffer | 72W | 10800 lumens | NA |
| 2 x 4 | VE/DT/72KXXD412 (13D) | with cover | 18W | 3000K-6500K | >80 | 4 strips for 2'x4' troffer | 72W | 10800 lumens | 0-10V dimming |
| 2 x 4 | VE/DT/36AXXD212 (13N) | without cover | 18W | 3000K-6500K | >80 | 2 strips for 2'x4' troffer | 36W | 5400 lumens | NA |
| 2 x 4 | VE/DT/36AXXD212 (13D) | without cover | 18W | 3000K-6500K | >80 | 2strips for 2'x4' troffer | 36W | 5400 lumens | 0-10V dimming |
| 2 x 4 | VE/DT/54AXXD312 (13N) | without cover | 18W | 3000K-6500K | >80 | 3 strips for 2'x4' troffer | 54W | 8100 lumens | NA |
| 2 x 4 | VE/DT/54AXXD312 (13D) | without cover | 18W | 3000K-6500K | >80 | 3strips for 2'x4' troffer | 54W | 8100 lumens | 0-10V dimming |
| 2 x 4 | VE/DT/72AXXD412 (13N) | without cover | 18W | 3000K-6500K | >80 | 4 strips for 2'x4' troffer | 72W | 10800 lumens | NA |
| 2 x 4 | VE/DT/72AXXD412 (13D) | without cover | 18W | 3000K-6500K | >80 | 4 strips for 2'x4' troffer | 72W | 10800 lumens | 0-10V dimming |

ACCESSORIES MAP

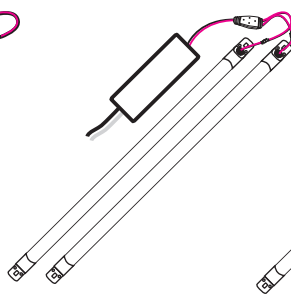
- A. led chips
- B. lamp panel
- C. permanent-magnet
- D. the block buttons
- E. PC Cover



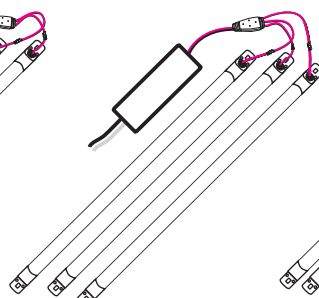
without Cover



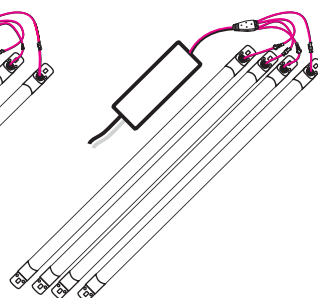
1strip



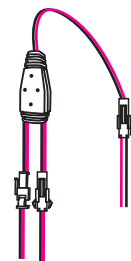
2 strips



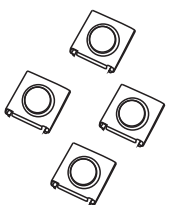
3 strips



4strips

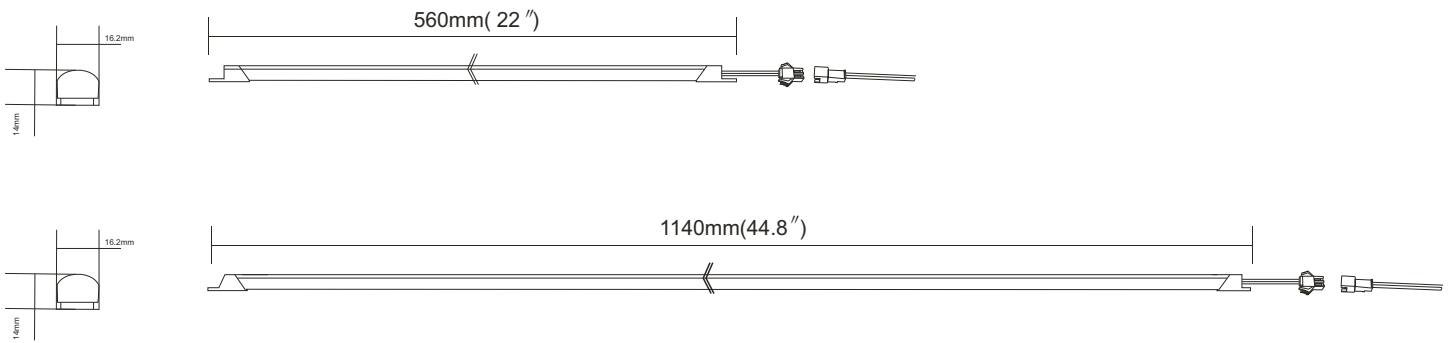


connector



permanent-magnet

SIZE



APPLICATION

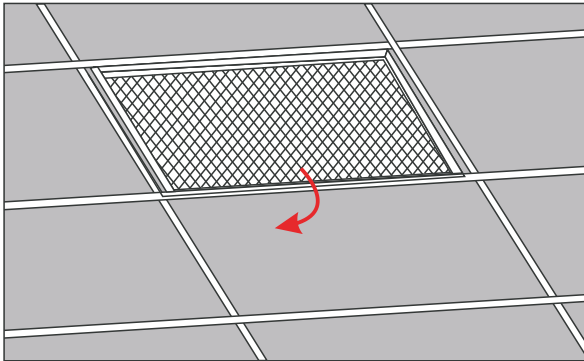
LED Troffer



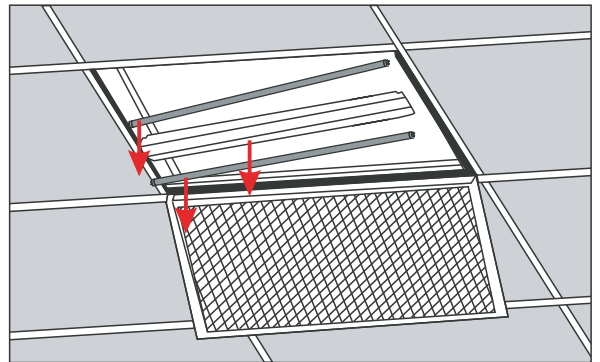
LED High bay



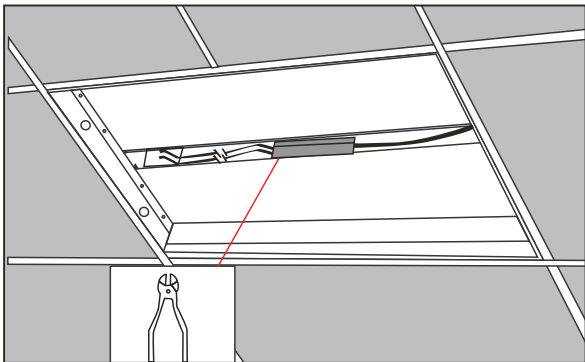
INSTALLATION INSTRUCTION



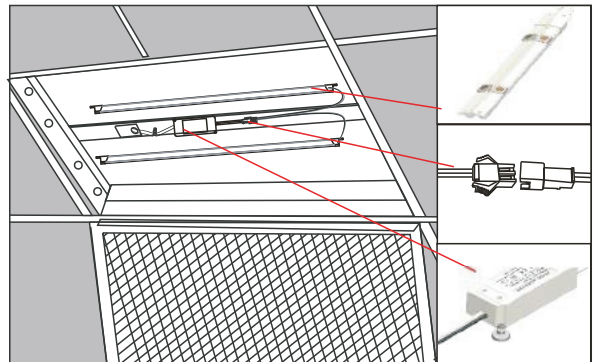
1. Open the old Fixture's Cover



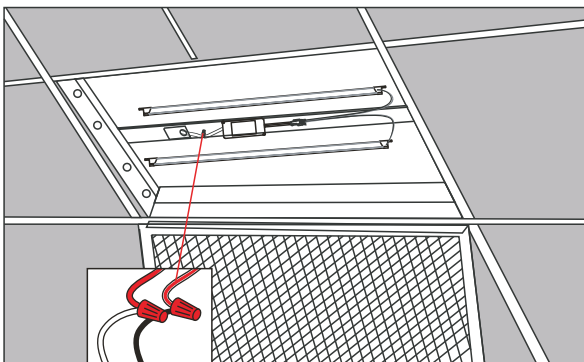
2. Take out Tubes and Reflector



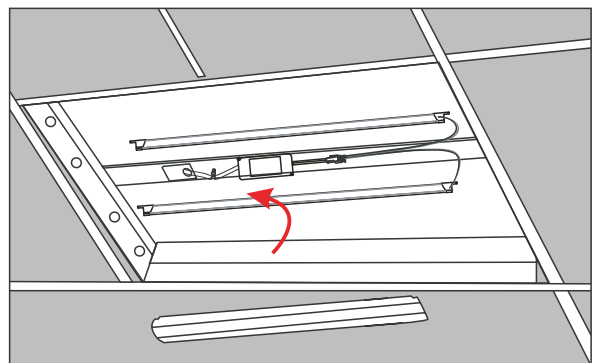
3. Take out the ballast



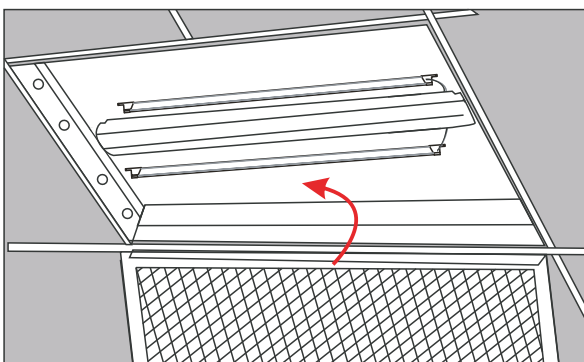
4. Install ARK Magnetic strips



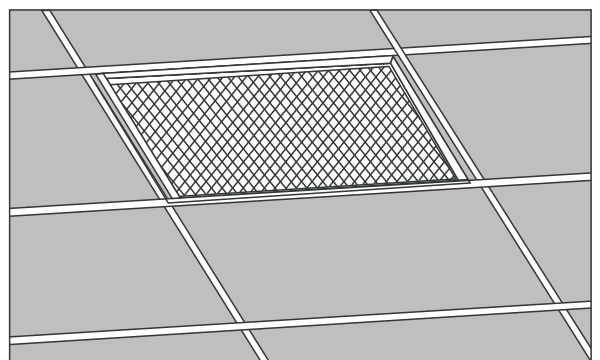
5. rewiring



6. Install the Reflector



7. Close the Cover



8. Turn on the light